

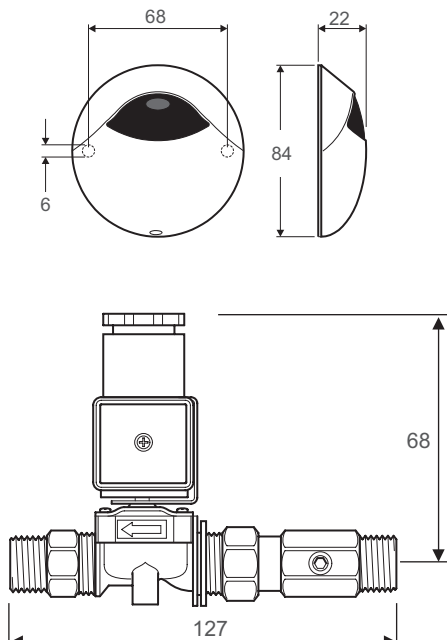
## RADA PULSE 120 UNIVERSAL OPERATING SYSTEM



- WRAS Approved
- Hygiene 'non-touch' control
- Suitable for showering and handwashing
- Wall mounted sensor for 'non-touch' control of a single washbasin or shower
- Economy and flexibility - timing can be programmed to suit application
- All elements linked via safe extra low voltage (12 Volts) supply
- For use with Rada Pulse Control Box system

**Specify as: Rada Pulse 120 Operating System (1.1495.063)**

Each outlet to be served by one Rada Pulse 120 Operating System wall mounted 'no touch' flow control. Complete with concealed active infra-red sensor and 1/2" solenoid valve with isolator and filter.

**Dimensions (mm)****Specification Enquiries**

## TECHNICAL SPECIFICATION

### Installation and Maintenance

Please refer to the appropriate Product Manual.

When the design of today's washrooms require higher levels of hygiene and energy savings, Rada provide the solution.

The sensor should be mounted on a flat smooth surface (e.g. centre of a tile) so that the seal on the reverse can prevent water ingress, otherwise a silicone sealant should be used. The sensor back plate is mounted via two fixing points. The cover is then fitted over the back plate and secured with a security screw on the underside of the cover. This conceals the wall fixing screws and prevents unwanted tampering.

The solenoid valve should be accessible for maintenance purposes. Supplied complete with integral isolator and filter.

For details of the Rada Pulse Control Box, refer to the applicable datasheet. Each Rada Pulse Control Box will accommodate a maximum of 10 operating systems.

### Approvals

CE Approved.

WRAS approved (Water Regulations Advisory Scheme)  
Designed, manufactured and supported in accordance with accredited BS EN ISO 9001:2008 Quality Management Systems and BS EN ISO 14001:2004 Environmental Management Systems.

### Operation

When the sensor is activated, a signal is sent to the Rada Pulse Control Box, which, in turn, energises the solenoid valve.

The solenoid valve opens - allowing water to flow through the outlet.

The duration of the flow for each outlet can be individually preset, via the Rada Pulse Control Box, ensuring optimum saving of water and energy.

The sensor may be used to switch off the supply of water before the pre-set time.

### Materials

Wall Mounted Sensor: Chromium plated durable engineering plastic with shatterproof plastic sensing window.

Solenoid Valve: Body material fibreglass polyamide.

### Cycle Timing

The operating systems are programmed remotely, via the Hand Held Programmer. The programmer is simply plugged into the control box then used to either set up or adjust the flow timings using the easy to follow menu structure.

The programmer can be removed after adjustment to prevent unwanted tampering.

### Pressures

Solenoid valve: 0.20 - 10 bar (20 - 1000 kPa).

### Electrical Specification

Protection class: Sensor, electronic module IP65.

Supply voltage: 12V AC + 10% 50/60 HZ, via Rada Pulse Control Box.

Operating ambient temperature range: 0°C - 40°C.

Maximum humidity: 80%.

Wiring from sensor to control box: 2 core PVC covered cable, 3.0 m supplied.

Sensor range: 0 to 50 mm.

### Operation Schematic

