



A **KOHLER** COMPANY

PRODUCT SELECTOR

Commercial Showering
& Washroom Controls



RADA PRODUCT SELECTOR

YOUR GUIDE TO THE UK'S WIDEST RANGE
OF SHOWERING, WASHROOM CONTROLS,
FITTINGS AND SYSTEMS DESIGNED
FOR COMMERCIAL APPLICATIONS.

Water control technology for healthcare, education,
sports/leisure, secure, washrooms, student accommodation
and commercial specifications.



GETTING THE MOST FROM YOUR SELECTOR

A STEP-BY-STEP GUIDE TO THE RADA PRODUCT RANGE

Our intuitive guide is designed to aid the selection of appropriate washroom controls. Grouped by application and colour-coded for ease of use, each product is presented with relevant information, best practice applications, key features and benefits, approvals and plumbing schematics when relevant.

KEY TO SUITABILITY

Each product page contains icons denoting relevant product characteristics, approvals and sectors in which they are most suited. Please note that Sector icons are meant as a guide only and suitability may vary for different applications.



HEALTHCARE



EDUCATION



SPORT/LEISURE



SECURE



WASHROOMS



STUDENT ACCOMODATION

PRODUCT SELECTOR INCLUDES

Product Description and Features.

Complementary products where applicable - typical options are identified, but the list is not exhaustive.

Dimensions (mm).

Installation schematics showing typical plumbing installations.

Web links are provided where further information can be downloaded.



SELECTOR CONTENTS

SERVICE	06
DIGITAL CONTROLS	14
INDIVIDUAL SHOWERING	28
GROUP SHOWERING	50
HAND WASHING	64
ELECTRONIC WASHROOM	94
BATHING	116
FITTINGS	122
RADA ACCESSORIES	148
KOHLER SANITARY WARE	156
MIRA PRODUCTS	172

RADA SERVICE

You've always put user safety at the heart of your business. Now you can support those standards beyond products with the UK's largest manufacturer-led Service Team.

Everything this team offers is designed to reduce risk and increase the safety of all your users. So whether you're in healthcare, leisure or education, you can be sure you're meeting your duty of care to provide safe water facilities for everyone.

We've innovated, engineered and manufactured all of our products ourselves. So it makes sense that our team is in the best position to service them – keeping your systems compliant and safe for everyone to use. We'll help you choose the best service package to safeguard the quality and performance of your systems, from commissioning through to the operational lifespan of your products. Here's what you can expect:



Full on-site services



Data recording



Safe and correct operation of your installed products and valves



Compliance reporting



Safety assurance



Fast response to breakdown requests



Optional non-contract maintenance

Telephone:

0344 571 1777 (option 2)

Email:

radacustomerservices@mirashowers.com

Web:

www.radacontrols.com



INTEGRATED SERVICE AND PRODUCT (ISP)

If you were offered a guarantee that your washroom controls were always delivering at the highest level and keeping users safe, would you take it?

Under the plan, Rada will work with you to develop a plan specific to the needs of your site that covers product, commissioning, service and maintenance. You then pay for the plan only – everything, including the product, is included.

It gives you total peace of mind that you're meeting your duty of care needs and offering the best experience for users of your taps and showers.

- High performing facilities all of the time
- Peace of mind that users are safe
- Cost certainty and annual payments
- Accurate compliance and record keeping

Our knowledge of our own products, coupled with our nationwide team of service technicians, means we're always on hand to meet your demands. It's a level of support that only a manufacturer can offer.

Want to find out more? Put us to the test.

Find out how we can help you deliver better washrooms for your customers.
For a free quote or to enquire about a site survey, call 0344 571 1777 or email radacustomerservices@mirashowers.com

[‘Buy the service, get the product. Absolute cost certainty and peace of mind.’](#)



COMMISSIONING SERVICE

When you choose Rada, you can be sure of getting the level of service you would expect from the global experts in shower and washroom controls. We now offer an extended guarantee option when you choose to have your product commissioned by our maintenance professionals.

Your product has the benefit of our manufacturer's 2 year guarantee which commences from the date of purchase. If the product is commissioned by our Service Team the guarantee will be extended to 5 years from the date of commissioning.

Rada has a trained team of national service and maintenance professionals to ensure the smooth running of its taps, showers, washroom controls and integrated systems. Rada's service team are able to offer both ongoing maintenance and rapid repairs, minimising the risk of breakdowns, safeguarding end users and offering peace of mind for your facilities managers.

Within this guarantee period we will resolve defects in materials or workmanship, free of charge by repairing or replacing parts or product as we may choose.

Rada's Commissioning Service is available across our full range of mechanical and digital products. It provides accurate product set up and confirms correct site and installation parameters for safe operation of installed products. Taking up this service enhances the product guarantee from 2 to 5 years and allows us to start the period from date of commissioning



Standard Product
Guarantee

+



Extended Guarantee
when commissioned
by Rada UK

=



Total Guarantee
for complete
peace of mind

**Find out how we can help you deliver better washrooms for your customers.
For a free quote or to enquire about a site survey, call 0344 571 1777
or email radacustomerservices@mirashowers.com**

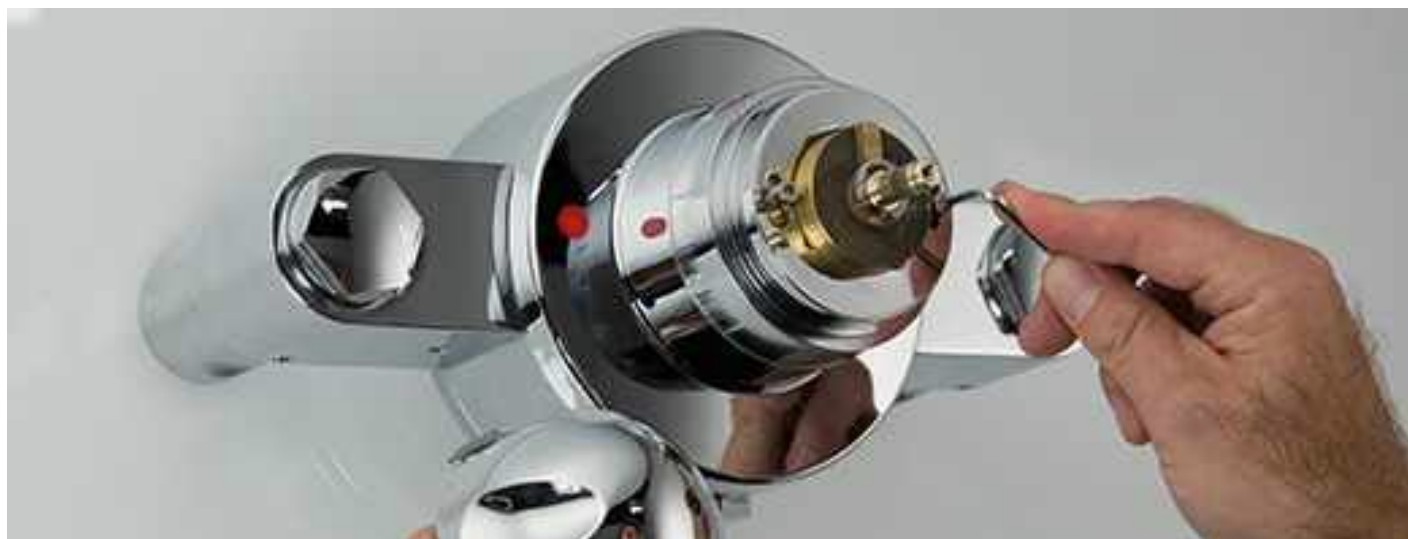
RESPONSIVE SERVICING

Regardless of the age of the product, you can call on our dedicated team of Rada trained Service Technicians for advice, or to arrange a site visit on a pay per visit basis.

We design and manufacture all our products ourselves. That's why we believe we're best placed to service them. Our unrivalled knowledge is backed by a nationwide field service team and dedicated Rada customer support.

We're confident you'll always be able to get hold of us and we will always be able to get to you, no matter where you are.

You also have the option to purchase additional valves, units, spare parts and sign up to any of our service packages.



**Find out how we can help you deliver better washrooms for your customers.
For a free quote or to enquire about a site survey, call 0344 571 1777
or email radacustomerservices@mirashowers.com**

PPM SERVICING

Our peace-of-mind Preventative Maintenance package is our premier offering.

Our preventative maintenance package provides you with a full service offering to ensure the ongoing function, performance, reliability and safe operation of your facility. Meeting HTM 04-01 standards if appropriate.



**Find out how we can help you deliver better washrooms for your customers.
For a free quote or to enquire about a site survey, call 0344 571 1777
or email radacustomerservices@mirashowers.com**

TMV HEALTHCHECK & IN-SERVICE TESTING

To ensure your thermostatic mixing valves (TMVs) are at optimum performance they should be checked by a professional at least every year. It is not always obvious when your product isn't performing at its optimum level.

The Rada TMV health check is essential to:

- Avoid potential for scalding
- Achieve optimum user comfort
- Effective infection control and targeting bacteria
- Keep water & energy costs down
- Comply with relevant regulations

What's included in your TMV healthcheck?

- Valve inspection
- Access to Rada's service specialists
- Extended hours call-outs
- No requirement to enter a contract

When you take us up on this service you also get the opportunity to extend your guarantee.

If we check your TMVs up to 12 months after installation, you will be eligible for a free one year extension to your warranty.

In-Service Testing

Our testing service gives you proof of your professionalism and dedication to the safety of your customers. It provides written records to prove compliance with TMV3 and other standards if required.

You can combine this service with Preventative Maintenance for enhanced temperature and data recording, with the frequency of visits based on your particular site requirements.



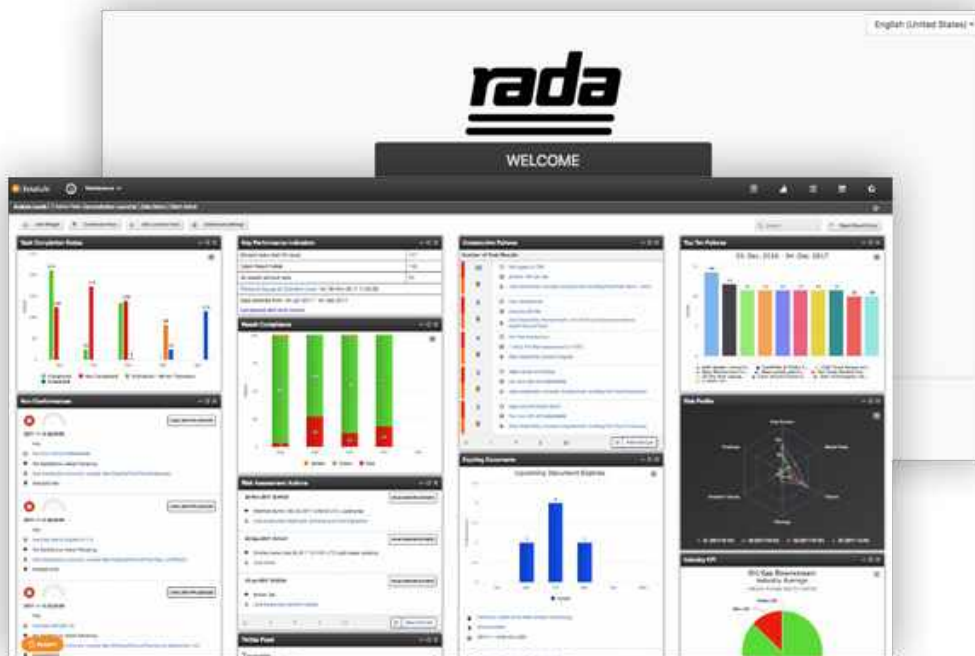
**Find out how we can help you deliver better washrooms for your customers.
For a free quote or to enquire about a site survey, call 0344 571 1777
or email radacustomerservices@mirashowers.com**

DIGITISED COMPLIANCE RECORDS

We recognise that in certain situations Facilities Managers and Building Owners are seeking instant access at any time and from wherever they happen to be.



As a result a Rada service visit package now comes complete with digitised compliance records as standard on all manual products.

- Location and compliance are recorded and the procedures undertaken are stored digitally
- Optional licenses are available for a small monthly fee to provide 24/7 online access
- Available for all makes and models of valves serviced by the Rada team and included at no extra charge as standard
- Peace of mind included



Find out how we can help you deliver better washrooms for your customers. For a free quote or to enquire about a site survey, call 0344 571 1777 or email radacustomerservices@mirashowers.com

A SERVICE PLAN THAT'S RIGHT FOR YOU

	 Preventative Maintenance	 In-Service Testing	 Commissioning	 Responsive & Non-Contract Maintenance	 Health Check Service
Initial site survey	•	•			
Annual or bi-annual service visits	•	•			•
Full product inspection, detection & correction	•			•	
Interim production inspection		•			•
Exclusive discount options on spare parts purchased	•	•			•
Rada register the warranty			•		
Commissioning Certificate			•		
Installing and overview of applicable software			•		
Full Product commissioning and set up			•		
Further Extended Guarantee Options					•
In Contract Responsive Service*	•	•			
Extended hours call-out option	•	•	•	•	•
Rada specification & technical advice	•	•	•	•	•
Thermal disinfection**	•	•	•		•

*Subject to terms and conditions. **Additional charges apply.

DIGITAL CONTROLS

Rada has pioneered washroom and water flow control solutions since launching the very first thermostatic mixing valve in the 1930s.

Today the company offers a new world of intelligent control based digital technology. This makes many advanced features possible such as non-touch activation and temperature adjustment, plus the ability to specify a fixed blended temperature. Thermal disinfection and automatic duty flushing which assist in the control of Legionella bacteria also help ensure the highest standards of washroom hygiene. These digital solutions are for handwashing, showering, bathing or bidet use and offer an alternative to mechanical blending shown in other sections.



RADA ACU T3 DIGITAL HAND WASHING

PRODUCT IMAGE



DESCRIPTION

Concealed digital mixing valve for healthcare washbasins, offering non-touch control, programmable maximum, minimum and default temperatures, duty flush and thermal disinfection with temperature logging and data logging capabilities.

- Buildcert TMV3 Scheme Approved
- Non-touch ON/OFF spout activation or timed flow control and temperature adjustment
- Programmable flow times and temperatures, 3 optional pre-programmed modes
- Programmable 'duty flushing'; secure thermal disinfection with datalogging
- Valve access behind interface – no need to remove panel
- No surface temperature risks
- Easy to clean
- Connections: 15mm compression/flat faced union

PRODUCT INFORMATION

PRODUCT CODE

190mm spout - 1.1664.001

225mm spout - 1.1664.002

WEB

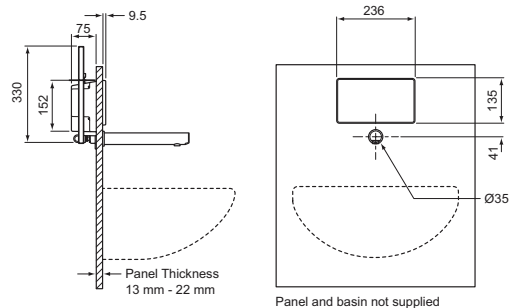
www.radacontrols.com/en/products/all-products/rada-acu-t3-dmv-with-190mm-spout/

www.radacontrols.com/en/products/all-products/rada-acu-t3-dmv-with-225mm-spout/

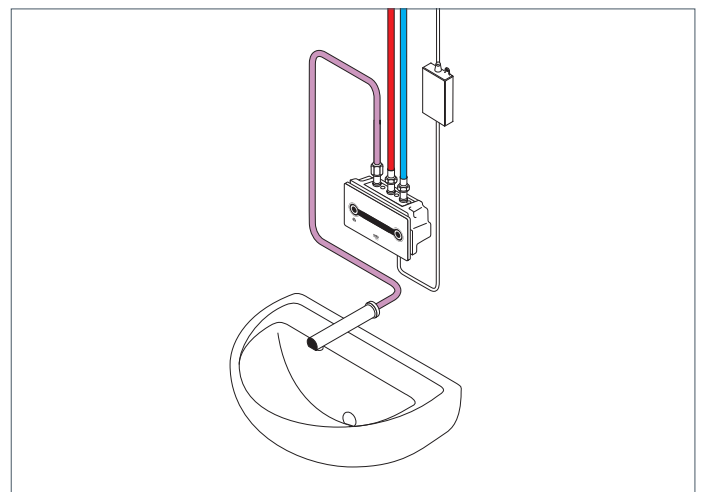
COMPLIMENTARY PRODUCTS

n/a

DIMENSIONS (MM) & INSTALLATION



Dimensions shown are the finished product dimensions and should not be used as a guide for cutting panels.





RADA SENSE WASHBASIN T3

PRODUCT IMAGE



DESCRIPTION

Concealed digital mixing valve for washbasin, offering non-touch control, programmable maximum, minimum and default temperatures, duty flush and thermal disinfection with datalogging capabilities. Requires separate spout, see complementary products.

- Buildcert TMV3 Scheme Approved
- Non-touch ON/OFF interface activation and temperature control
- Remotely located valve (up to 3m)
- Programmable flow times and temperatures
- No surface temperature risks
- Programmable 'duty flushing'; secure thermal disinfection with datalogging
- Connections: ½" BSP male

PRODUCT INFORMATION

PRODUCT CODE

1.1503.678

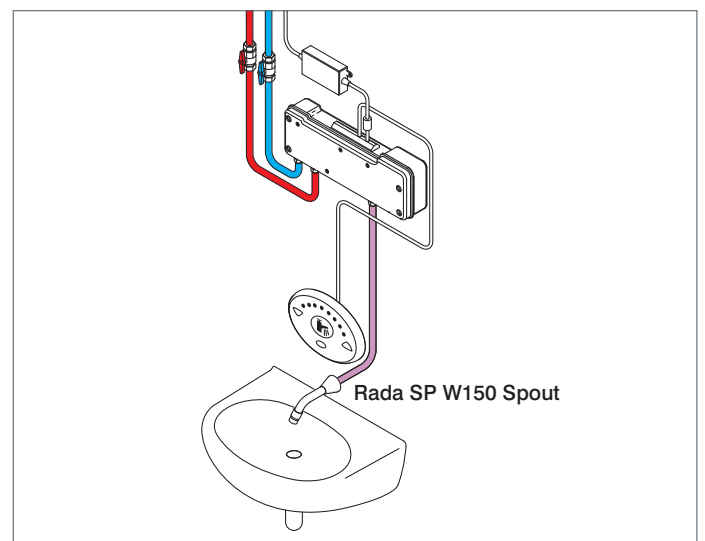
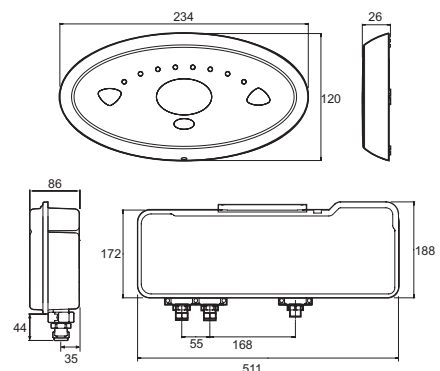
WEB

www.radacontrols.com/en/products/all-products/rada-sense-washbasin-t3/

COMPLIMENTARY PRODUCTS

Rada SP WD100 - Spout
Rada SP W150 - Spout
Rada SP W190 - Spout

DIMENSIONS (MM) & INSTALLATION





RADA SENSE WASHBASIN KIT T3

PRODUCT IMAGE



DESCRIPTION

Concealed digital mixing valve for washbasin, offering non-touch control, programmable maximum, minimum and default temperatures, duty flush and thermal disinfection with datalogging capabilities. Supplied with a 5 l/min flow regulator. Complete with wall mounted spout with 150mm throw (Rada SP W150).

- Buildcert TMV3 Scheme Approved
- Non-touch ON/OFF interface activation and temperature control
- Remotely located valve (up to 3m)
- Programmable flow times and temperatures
- No surface temperature risks
- Programmable 'duty flushing'; secure thermal disinfection with datalogging
- Connections: ½" BSP male

PRODUCT INFORMATION

PRODUCT CODE

1.1503.702

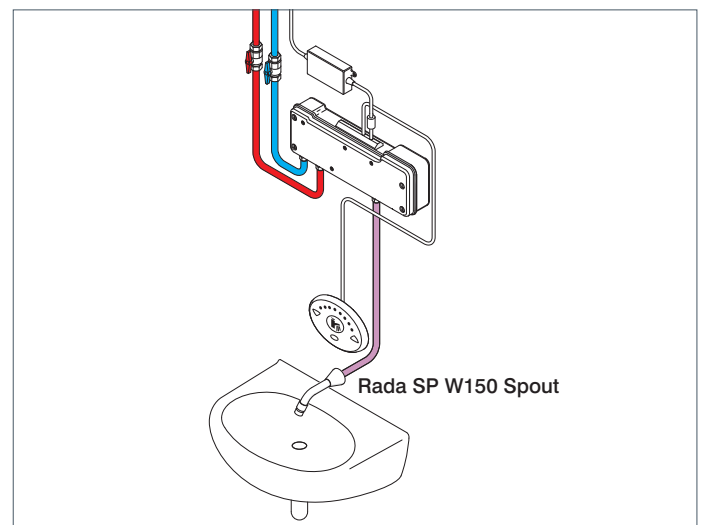
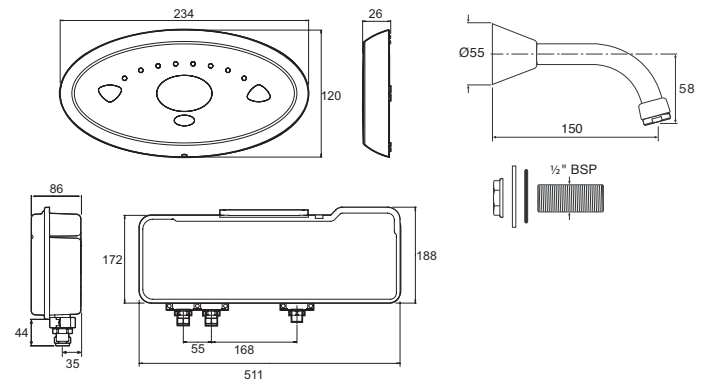
WEB

www.radacontrols.com/en/products/all-products/rada-sense-washbasin-kit-t3/

COMPLIMENTARY PRODUCTS

n/a

DIMENSIONS (MM) & INSTALLATION





RADA SENSE SHOWER T3

PRODUCT IMAGE



DESCRIPTION

Concealed digital mixing valve for shower, offering non-touch control, programmable maximum, minimum and default temperatures, duty flush and thermal disinfection with datalogging capabilities. Requires separate shower fittings, see complementary products.

- Buildcert TMV3 Scheme Approved
- Non-touch ON/OFF interface activation and temperature control
- Remotely located valve (up to 3m)
- Programmable flow times and temperatures
- No surface temperature risks
- Programmable 'duty flushing'; secure thermal disinfection with datalogging
- Connections: 1/2" BSP male

PRODUCT INFORMATION

PRODUCT CODE

1.1503.682

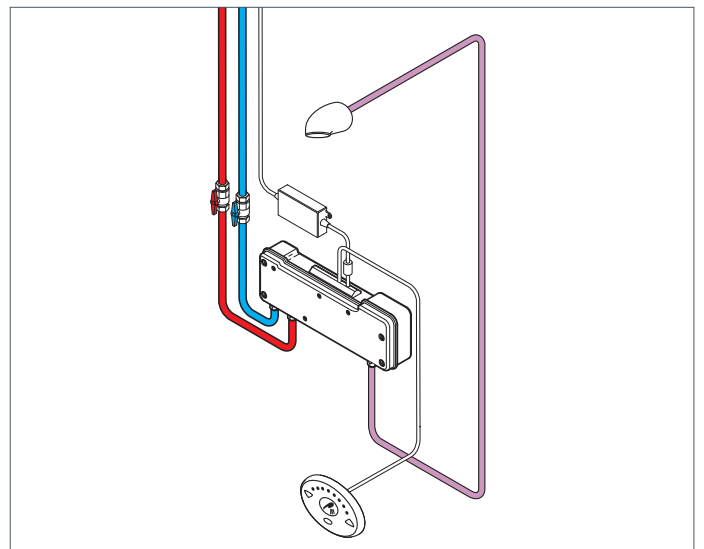
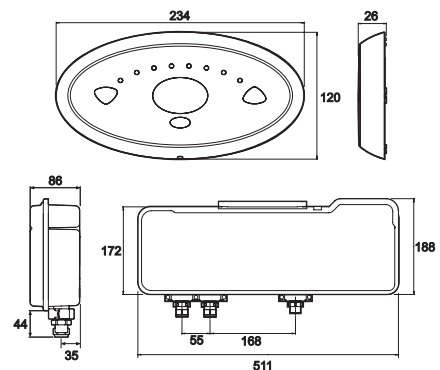
WEB

www.radacontrols.com/en/products/all-products/rada-sense-shower-t3/

COMPLIMENTARY PRODUCTS

Rada VR105 - Showerhead
 Rada bsr-s 300 - Showerhead
 Rada EV Shower Fittings
 Rada EV Heavy Duty Shower Fittings
 Rada RAC Accessory - Connector Elbow
 Rada SH1 Showerhead
 Rada SF1 Fittings Kits

DIMENSIONS (MM) & INSTALLATION





RADA SENSE SHOWER KIT T3

PRODUCT IMAGE



DESCRIPTION

Concealed digital mixing valve for shower, offering non-touch control, programmable maximum, minimum and default temperatures, duty flush and thermal disinfection with datalogging capabilities. Complete with vandal resistant shower fitting for connection to concealed pipework supplied with 9 l/min flow regulator (Rada VR105).

- Buildcert TMV3 Scheme Approved
- Non-touch ON/OFF interface activation and temperature control
- Remotely located valve (up to 3m)
- Programmable flow times and temperatures
- No surface temperature risks
- Programmable 'duty flushing'; secure thermal disinfection with datalogging

PRODUCT INFORMATION

PRODUCT CODE

1.1503.706

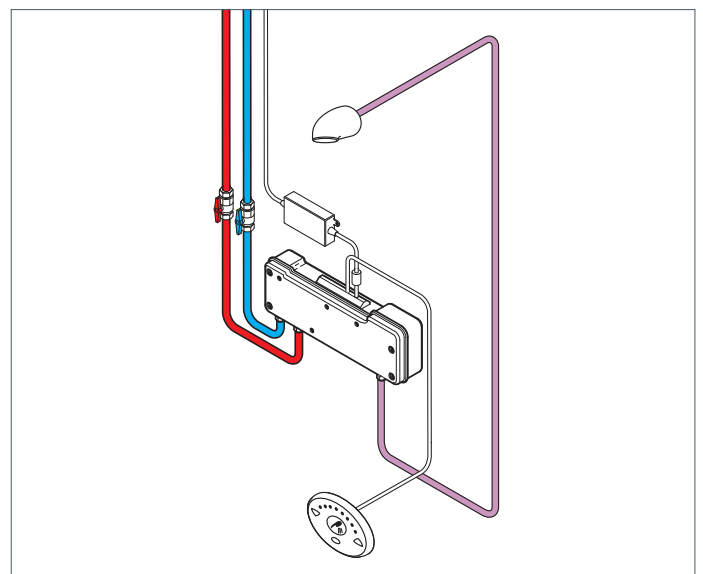
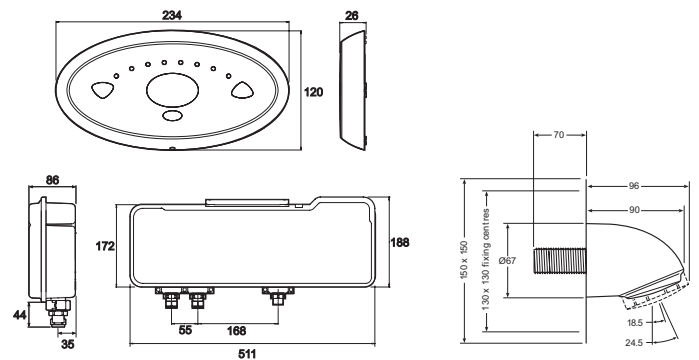
WEB

www.radacontrols.com/en/products/all-products/rada-sense-shower-kit-t3/

COMPLIMENTARY PRODUCTS

n/a

DIMENSIONS (MM) & INSTALLATION





RADA SENSE DUAL SHOWER T3

PRODUCT IMAGE



DESCRIPTION

Concealed digital mixing valve for shower, offering non-touch control, programmable maximum, minimum and default temperatures, duty flush and thermal disinfection with datalogging capabilities. Requires separate shower fittings, see complementary products.

- Buildcert TMV3 Scheme Approved
- Flexible showering with fixed and variable outlet options
- Non-touch ON/OFF interface activation and temperature control
- Remotely located valve (up to 3m)
- Programmable flow times and temperatures
- No surface temperature risks
- Programmable 'duty flushing'; secure thermal disinfection with datalogging
- Connections: (Inlet) 3/4" BSP male; (Outlet) 1/2" BSP male

PRODUCT INFORMATION

PRODUCT CODE

1.1653.030

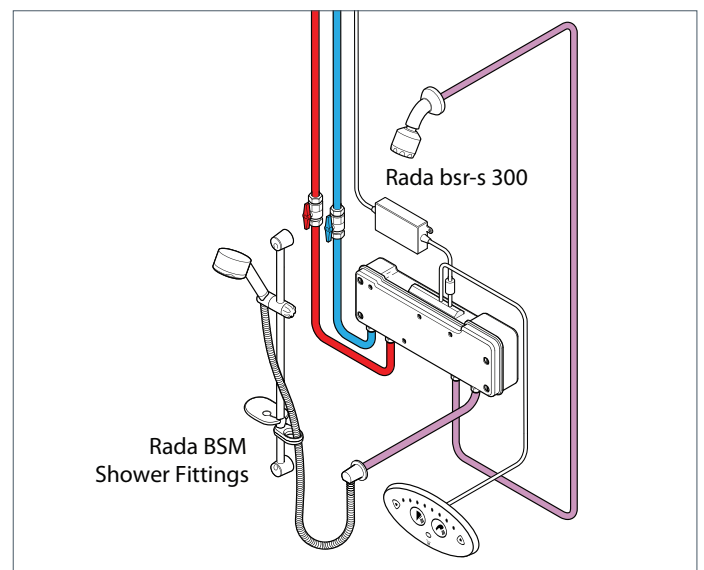
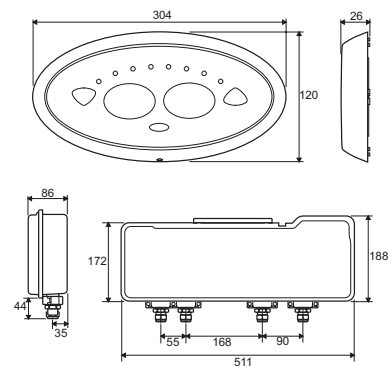
WEB

www.radacontrols.com/en/products/all-products/rada-sense-dual-shower-t3/

COMPLIMENTARY PRODUCTS

Rada VR2-RS - Showerhead
 Rada bsr-s 300 - Showerhead
 Rada BSM Shower fittings
 Rada RAC Adaptor
 Rada SH1 Showerhead
 Rada SF1 Fittings Kits

DIMENSIONS (MM) & INSTALLATION





RADA SENSE BATH/SHOWER T3

PRODUCT IMAGE



DESCRIPTION

Concealed digital mixing valve for bath/shower, offering non-touch control, programmable maximum, minimum and default temperatures, duty flush and thermal disinfection with datalogging capabilities. Requires spout and shower fittings, see complementary products.

- Buildcert TMV3 Scheme Approved
- Non-touch ON/OFF interface activation and temperature control
- Remotely located valve (up to 3m)
- Programmable flow times and temperatures
- No surface temperature risks
- Programmable 'duty flushing'; secure thermal disinfection with datalogging
- Connections: (Inlet) 3/4" BSP male; (Outlet) 3/4" BSP male / 1/2" BSP male (Shower)

PRODUCT INFORMATION

PRODUCT CODE

1.1503.690

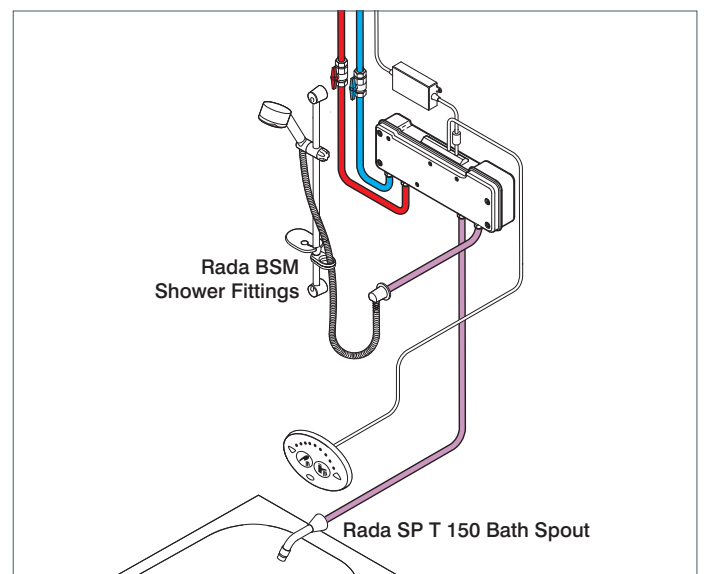
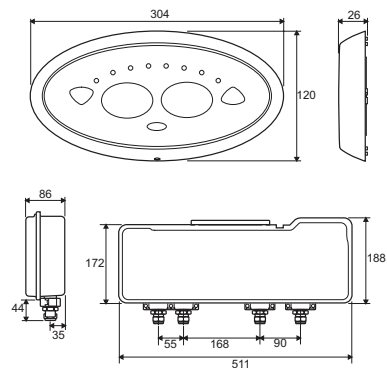
WEB

www.radacontrols.com/en/products/all-products/rada-sense-bathshower-t3/

COMPLIMENTARY PRODUCTS

Rada bsr-s 300 - Showerhead
 Rada BSM Shower Fittings
 Rada SP T150 - Bath Spout
 Rada RAC Adaptor
 Rada SH1 Showerhead
 Rada SF1 Fittings Kits

DIMENSIONS (MM) & INSTALLATION





RADA SENSE BATH T3

PRODUCT IMAGE



DESCRIPTION

Concealed digital mixing valve for bath, offering non-touch control, programmable maximum, minimum and default temperatures, duty flush and thermal disinfection with datalogging capabilities. Requires separate spout, see complementary products.

- Buildcert TMV3 Scheme Approved
- Non-touch ON/OFF interface activation and temperature control
- Remotely located valve (up to 3m)
- Programmable flow times and temperatures
- No surface temperature risks
- Programmable 'duty flushing'; secure thermal disinfection with datalogging
- Connections: 3/4" BSP male
- Ideal for birthing pool application

PRODUCT INFORMATION

PRODUCT CODE

1.1503.698

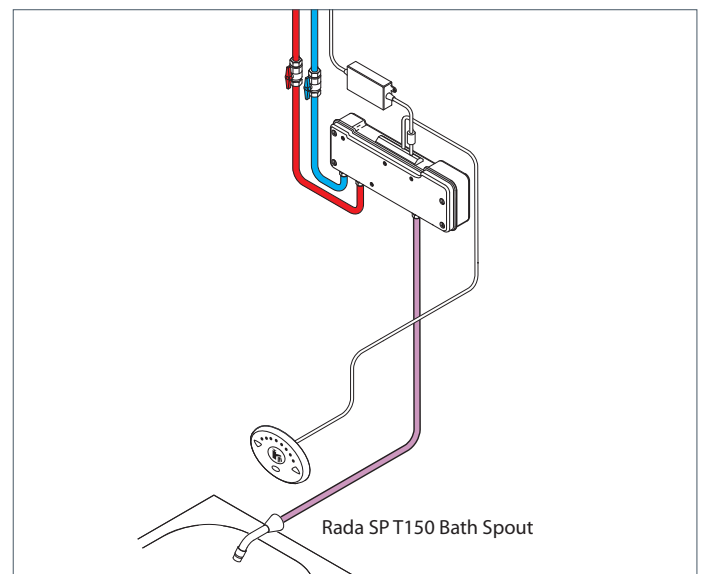
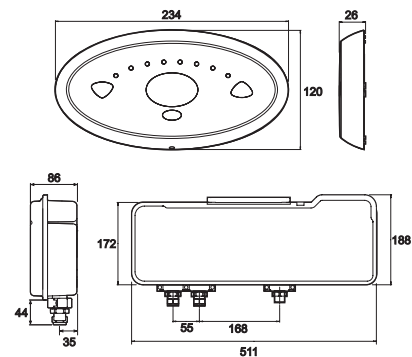
WEB

www.radacontrols.com/en/products/all-products/rada-sense-bath-t3/

COMPLIMENTARY PRODUCTS

Rada SP T150 - Bath Spout

DIMENSIONS (MM) & INSTALLATION





RADA SENSE NETWORKING PACK A (UK)

PRODUCT IMAGE



DESCRIPTION

For Rada Sense products manufactured after July 2014 which are 'network-ready'. Sensor Box; 2 cables (valve-to-box, interface-to-box).

PRODUCT INFORMATION

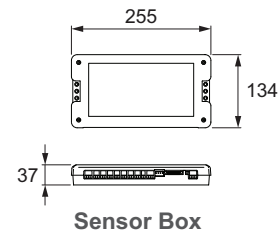
PRODUCT CODE

1.1621.216

WEB

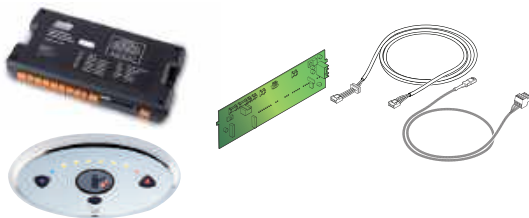
www.radacontrols.com/en/products/all-products/rada-sense-networking-pack-a-uk/

DIMENSIONS (MM) & INSTALLATION



RADA SENSE NETWORKING PACK B (UK)

PRODUCT IMAGE



DESCRIPTION

For Rada Sense products manufactured before July 2014 which are not 'network-ready'. Available in four options dependant on Sense variant. Sensor Box; Replacement Interface and Valve PCBA; 2 cables (valve-to-box, interface-to-box).

PRODUCT INFORMATION

PRODUCT CODE

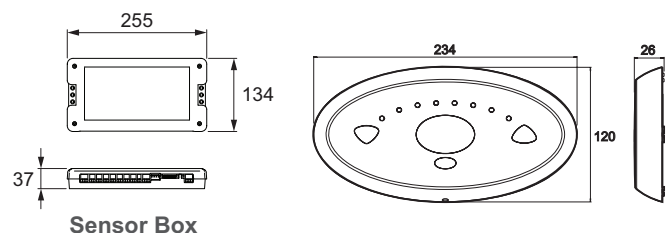
1.1653.200 Basin
1.1653.202 Shower

1.1653.203 Shower/Shower
1.1653.204 BSM

WEB

www.radacontrols.com/en/products/all-products/rada-sense-networking-pack-b-uk/

DIMENSIONS (MM) & INSTALLATION





RADA UNIVERSAL CONFIGURATION TOOL

PRODUCT IMAGE



DESCRIPTION

Rada RS485 - USB cable & Rada Modus Universal Configuration Tool. Only one Universal Configuration Tool is required per site.

PRODUCT INFORMATION

PRODUCT CODE

1.1621.202

WEB

www.radacontrols.com/en/products/all-products/rada-universal-configuration-tool/



RADA OUTLOOK IR SENSOR

PRODUCT IMAGE



DESCRIPTION

Wall mounted 'non-touch' flow control. Complete with concealed active infra red sensor and 6m cable. The sensor should be mounted on a flat smooth surface (e.g. centre of a tile) to prevent water ingress. The sensor is mounted via 2 fixing points, the cover conceals the wall fixings and is fitted with a security screw to prevent unwanted tampering.

PRODUCT INFORMATION

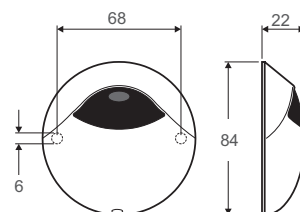
PRODUCT CODE

1.1621.112

WEB

www.radacontrols.com/en/products/all-products/rada-outlook-ir-sensor-unit/

DIMENSIONS (MM) & INSTALLATION





RADA OUTLOOK

PRODUCT IMAGE



DESCRIPTION

Concealed digital thermostatic mixing valve and sensor box for hand washing and/or showering, offering programmable maximum, minimum and default temperatures, duty flush and supervised thermal disinfection with data-logging capabilities. Supplied complete with power supply, check valves and strainers.

- Cost effectively and flexibly manage your water systems whilst complying with legislative requirements
- Rada Outlook is a six outlet digital thermostatic mixing valve, with programmable timed flow for hand washing and showering applications by touch or non-touch sensors, or non-touch spouts
- Automatically performs duty flush at intervals specific for your installation
- Records automatic duty flush and supervised thermal disinfection data for legislative compliance
- Easily program Rada Outlook using Windows based configuration tool, for easy access and download of data
- Integrate auxiliary products such as a fan, pump or PIR occupancy sensor to Outlook system and program specifically to your own application
- Connect multiple Rada Outlook units together to a Building Management System (up to 31 on each MODBUS network)

PRODUCT INFORMATION

PRODUCT CODE

1.1621.099

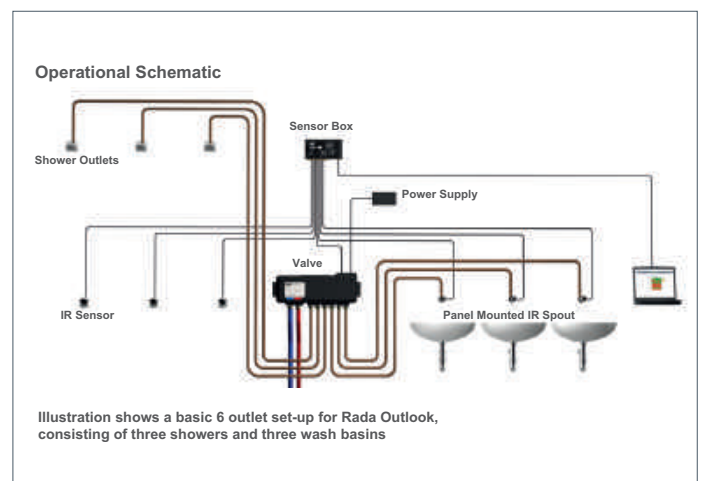
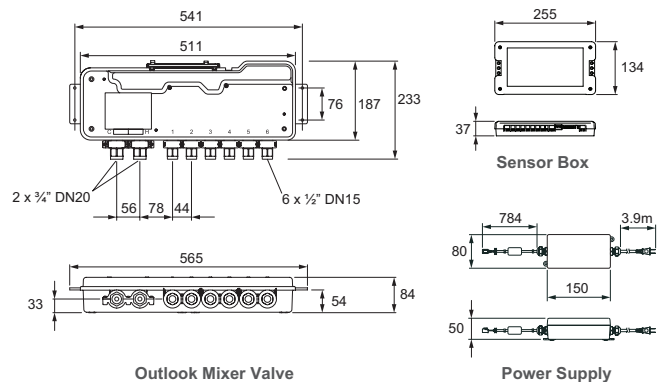
WEB

www.radacontrols.com/en/products/all-products/rada-outlook-concealed-digital-thermostatic-mixing-valve-sensor-box/

COMPLIMENTARY PRODUCTS

Rada Outlook Outlet By-Pass Adaptor
 Rada Universal Configuration Tool
 Rada Isolating Key Switch
 Rada VR Showerhead range
 Rada Outlook Panel Mounted IR Spout
 Rada Outlook IR Sensor

DIMENSIONS (MM) & INSTALLATION





RADA OUTLOOK PIEZO HAND SENSOR

PRODUCT IMAGE



DESCRIPTION

Wall mounted Piezo 'touch' flow control sensor with 3m cable.
The sensor should be mounted on a flat smooth surface (e.g. centre of a tile) to prevent water ingress. The sensor is mounted via 2 fixing points on the metal plate.

PRODUCT INFORMATION

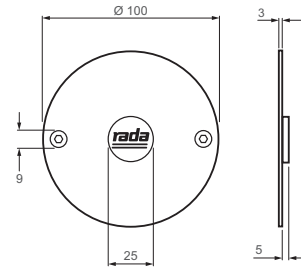
PRODUCT CODE

1.1621.085

WEB

www.radacontrols.com/en/products/all-products/rada-outlook-piezo-hand-sensor/

DIMENSIONS (MM) & INSTALLATION



RADA OUTLOOK PANEL MOUNTED IR SPOUT

PRODUCT IMAGE



DESCRIPTION

Non-touch infra-red sensor spout in 150mm, 190 mm or 225mm lengths.

PRODUCT INFORMATION

PRODUCT CODE

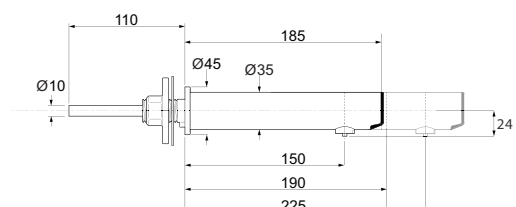
150mm - 1.1621.136
190mm - 1.1621.132

225mm - 1.1621.137

WEB

www.radacontrols.com/en/products/all-products/rada-outlook-panel-mounted-ir-spout

DIMENSIONS (MM) & INSTALLATION



RADA INTELLIGENT CARE

FULL RANGE OF INTELLIGENT CARE
PRODUCTS ON PAGES 65 - 73.

Water control technology designed for
healthcare specifications.



INDIVIDUAL SHOWERING

Rada's practical and flexible thermostatic mixing valve range offers exposed and built-in options to suit many different applications.

Single sequential or dual control lever versions are available and can be paired with various fixed showerheads or adjustable kits to create solutions that satisfy individual requirements.

Pre-plumbed ready-to-connect shower panels can also be supplied.

These feature options such as fixed or adjustable temperature, mechanical or electronic timed flow control, vandal resistant showerheads and flexible hose and slide rail combinations.

Many feature TMV3-approved valves, making them especially well-suited to be used by the young, elderly or infirm.



RADA V12

PRODUCT IMAGE



DESCRIPTION

Surface mounted thermostatic shower valve certified to TMV3 performance and featuring Insutech® technology. Sequential single lever operation from cold through to warm. Includes service-free cartridge, check valves, filters and optional flow regulators.

- Buildcert TMV3 Scheme Approved
- Single sequential operation from off-cold-warm
- Light touch control complemented by easy to understand graphics to address the needs of all users, irrespective of age or ability
- Robust construction to withstand heavy usage in the commercial environment
- Supplied is a 9l/min flow regulator and a 6l/min for increased water saving
- Safe-to-touch. The V12 Exposed option features Insutech® technology to reduce surface temperature to a safe level.

PRODUCT INFORMATION

PRODUCT CODE

1.1651.001

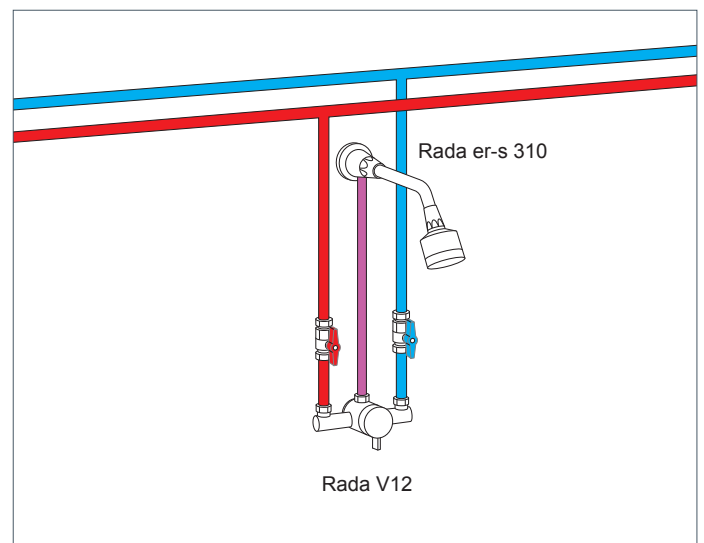
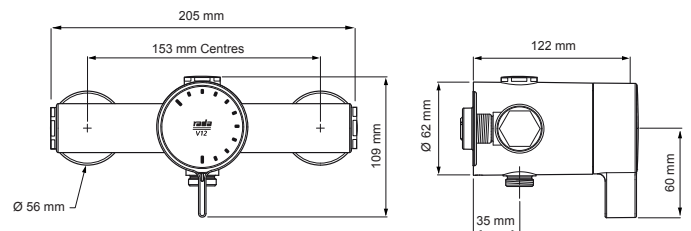
WEB

www.radacontrols.com/en/products/all-products/rada-v12/

COMPLIMENTARY PRODUCTS

Rada VR Range – Showerheads
 Rada er-s
 Rada EV Shower Fittings
 Rada EV – Heavy Duty Shower Fittings
 Rada SF1 Shower Fittings Kits

DIMENSIONS (MM) & INSTALLATION





RADA V12 CONCEALED

PRODUCT IMAGE



DESCRIPTION

Built-in thermostatic shower valve certified to TMV3 performance standard and featuring integral isolating ball valves. Sequential single lever operation from cold through to warm. Includes service-free cartridge, check valves, filters and optional flow regulators.

- Buildcert TMV3 Scheme Approved
- Single sequential operation from off-cold-warm
- Light touch control complemented by easy to understand graphics to address the needs of all users, irrespective of age or ability
- Robust construction to withstand heavy usage in the commercial environment
- Supplied is a 9l/min flow regulator and a 6l/min for increased water saving

PRODUCT INFORMATION

PRODUCT CODE

1.1651.002

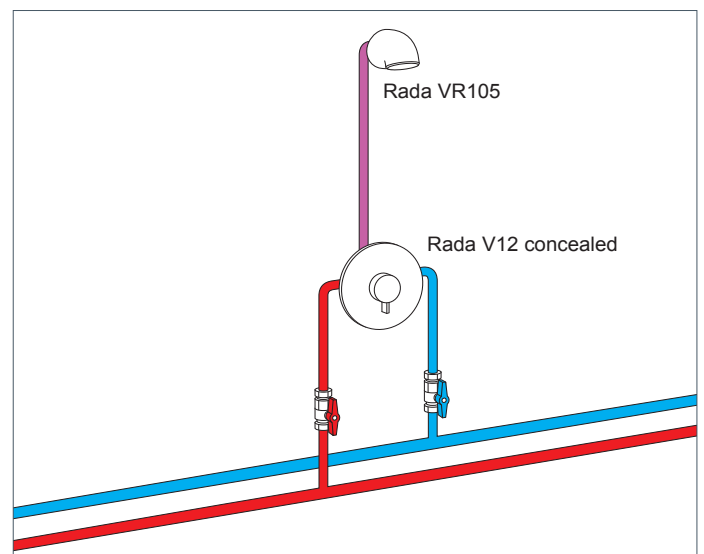
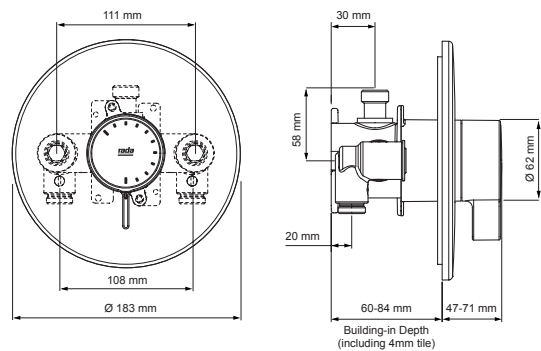
WEB

www.radacontrols.com/en/products/all-products/rada-v12-concealed/

COMPLIMENTARY PRODUCTS

Rada VR Range – Showerheads
 Rada bsr-s/300 - Shower Fitting
 Rada EV Shower Fittings
 Rada EV – Heavy Duty Shower Fittings
 Rada SH1 Showerhead

DIMENSIONS (MM) & INSTALLATION





RADA V12 130

PRODUCT IMAGE



DESCRIPTION

Surface mounted thermostatic shower valve certified to TMV3 performance. Sequential single lever operation from cold through to warm. Includes service-free cartridge, check valves, filters and optional flow regulators.

- Buildcert TMV3 Scheme Approved
- Single sequential operation from off-cold-warm
- Straight forward retrofit for installations with 130mm inlet centres eg. Meynell V8
- Light touch control complemented by easy to understand graphics to address the needs of all users, irrespective of age or ability
- Robust construction to withstand heavy usage in the commercial environment
- Supplied is a 9l/min flow regulator and a 6l/min for increased water saving

PRODUCT INFORMATION

PRODUCT CODE

1.1651.003

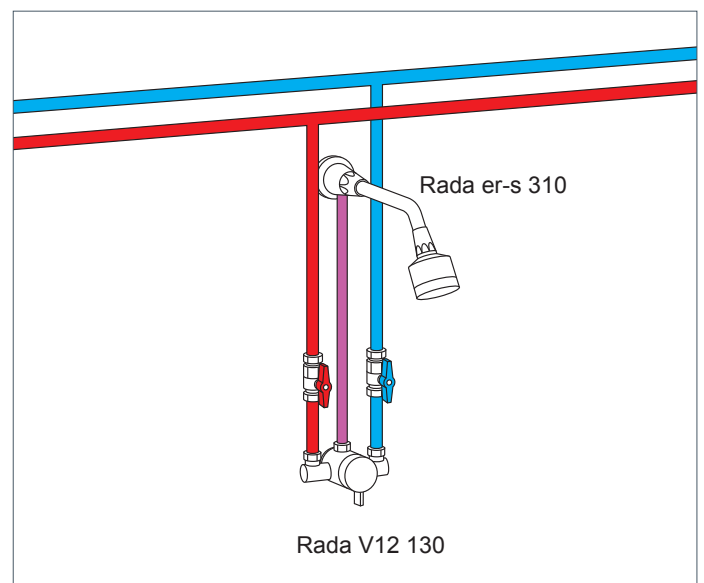
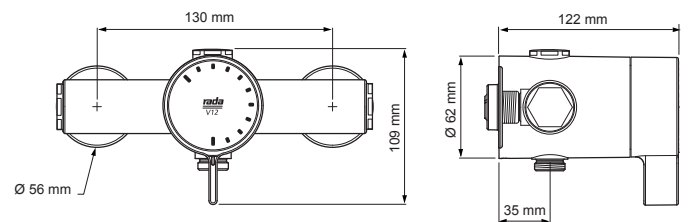
WEB

www.radacontrols.com/en/products/all-products/rada-v12-130/

COMPLIMENTARY PRODUCTS

Rada VR Range – Showerheads
 Rada er-s 310
 Rada EV Shower Fittings
 Rada EV – Heavy Duty Shower Fittings

DIMENSIONS (MM) & INSTALLATION





RADA V12 DIVERTER

PRODUCT IMAGE



DESCRIPTION

Exposed lever operated diverter valve designed for connection to the Rada V12 Exposed Shower. Three positions for standard fixed head, hand-held shower handset and both running simultaneously.

- Two outlet diverter valve, designed to add extra convenience and flexibility to showering
- Designed for use with the Rada V12 Exposed shower valve
- Simple to use – allows you to divert water between two different outlets from the same shower valve, or to have both running simultaneously
- Suitable for either high or low pressure systems

PRODUCT INFORMATION

PRODUCT CODE

1.1651.007

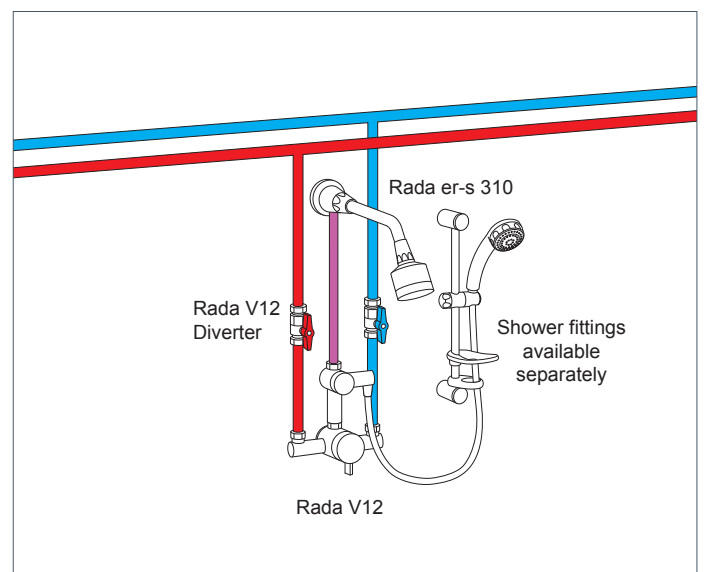
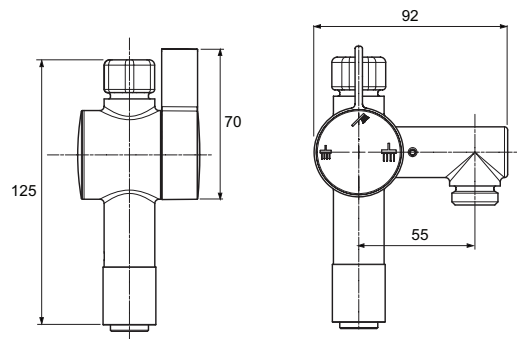
WEB

www.radacontrols.com/en/products/all-products/rada-v12-diverter/

COMPLIMENTARY PRODUCTS

Rada V12 – Shower Valve

DIMENSIONS (MM) & INSTALLATION





RADA V12 B DIVERTER

PRODUCT IMAGE



DESCRIPTION

Concealed lever operated diverter valve designed for connection to the Rada V12 Concealed Shower. Two positions for standard fixed head and hand-held shower handset.

- Two outlet diverter valve, designed to add extra convenience and flexibility to showering
- Designed for use with the Rada V12 Concealed shower valve
- Simple to use – allows you to divert water between two different outlets from the same shower valve
- Suitable for either high or low pressure systems

PRODUCT INFORMATION

PRODUCT CODE

1.1651.006

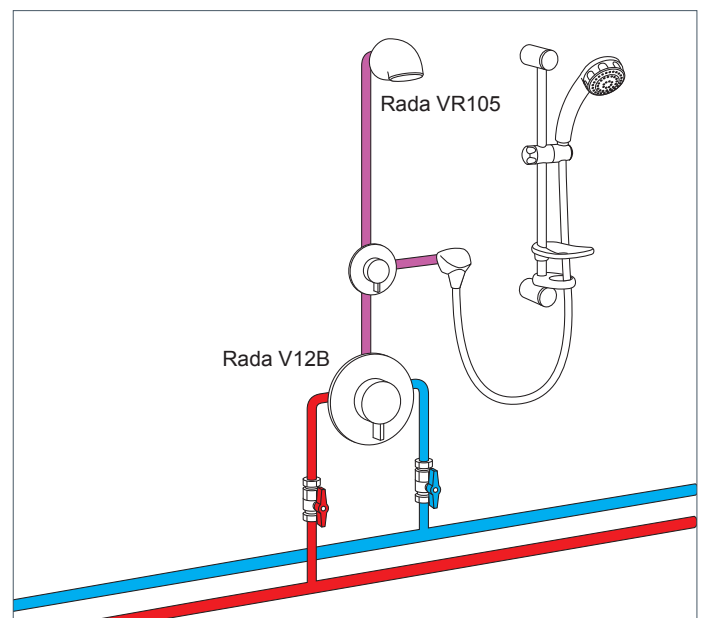
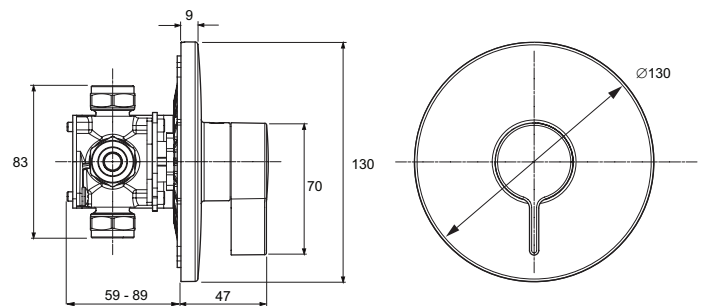
WEB

www.radacontrols.com/en/products/all-products/rada-v12-b-diverter/

COMPLIMENTARY PRODUCTS

Rada V12 Concealed – Shower Valve

DIMENSIONS (MM) & INSTALLATION





RADA V10

PRODUCT IMAGE



DESCRIPTION

Surface mounted, single sequential thermostatic shower valve. Supplied complete with integral strainers and optional flow regulators.

- Buildcert TMV2 Scheme Approved
- Single sequential operation off-cold-warm
- Easy grip handle complete with durable, clear graphics
- Robust construction to withstand heavy usage in the commercial environment
- Supplied is a 9l/min flow regulator and a 6l/min for increased water saving

Optional V10 rigid riser accessory - 1.1651.020
Designed to connect the Rada V10 Exposed Shower valve to either the Rada VR145 or Rada VR2-ES Showerhead

PRODUCT INFORMATION

PRODUCT CODE

1.1651.004

WEB

www.radacontrols.com/en/products/all-products/rada-v10-exposed-shower-valve/

COMPLIMENTARY PRODUCTS

Rada VR Range - Showerheads

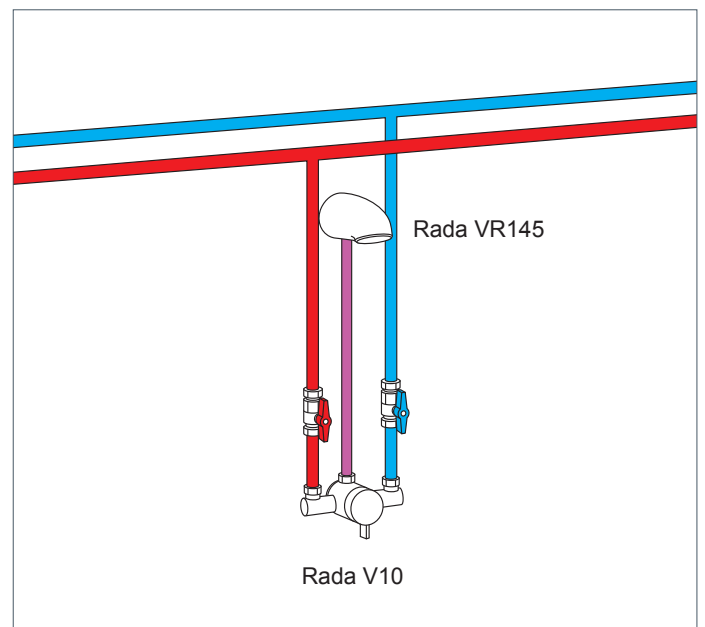
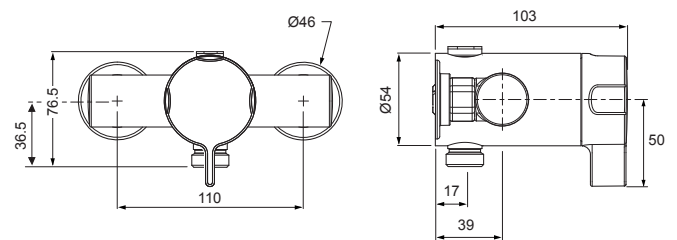
Rada er-s

Rada EV - Shower Fittings

Rada EV - Heavy Duty Shower Fittings

Rada V10 Rigid Riser - Accessory

DIMENSIONS (MM) & INSTALLATION





RADA V10 WITH ADJUSTABLE ELBOWS

PRODUCT IMAGE



DESCRIPTION

Surface mounted, single sequential thermostatic shower valve with adjustable elbows. Supplied complete with integral strainers and optional flow regulators.

- TMV2 approved thermostatic shower valve suitable for commercial applications
- Single sequential operation off-cold-warm
- Adjustable elbows
- Easy grip handle complete with durable, clear graphics
- Robust construction to withstand heavy usage in the commercial environment
- Supplied is a 9l/min flow regulator and a 6l/min for increased water saving

Optional V10 rigid riser accessory - 1.1651.020
Designed to connect the Rada V10 Exposed Shower valve to either the Rada VR145 or Rada VR-ES Showerheads

PRODUCT INFORMATION

PRODUCT CODE

1.1651.179

WEB

www.radacontrols.com/en/products/all-products/rada-v10-thermostatic-shower-valve-with-adjustable-elbows/

COMPLIMENTARY PRODUCTS

Rada VR Range - Showerheads

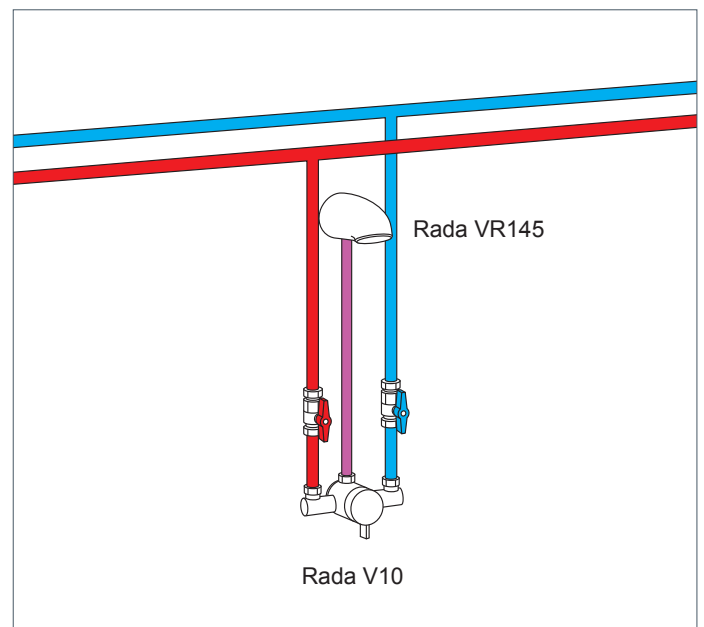
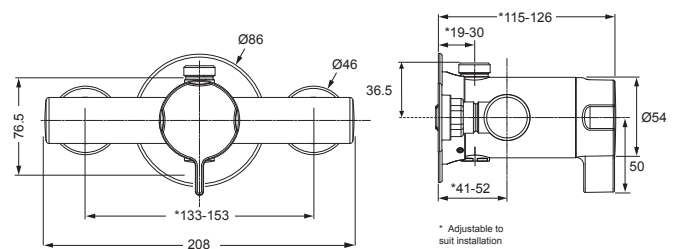
Rada er-s

Rada EV - Shower Fittings

Rada EV - Heavy Duty Shower Fittings

Rada V10 Rigid Riser - Accessory

DIMENSIONS (MM) & INSTALLATION





RADA V10 CONCEALED

PRODUCT IMAGE



DESCRIPTION

Built-in, single sequential thermostatic shower valve. Supplied complete with integral strainers and optional flow regulators.

- Buildcert TMV2 Scheme Approved
- Single sequential operation off-cold-warm
- Easy grip handle complete with durable, clear graphics
- Robust construction to withstand heavy usage in the commercial environment
- Supplied is a 9l/min flow regulator and a 6l/min for increased water saving

PRODUCT INFORMATION

PRODUCT CODE

1.1651.005

WEB

www.radacontrols.com/en/products/all-products/rada-v10-concealed-shower-valve/

COMPLIMENTARY PRODUCTS

Rada VR Range - Showerheads

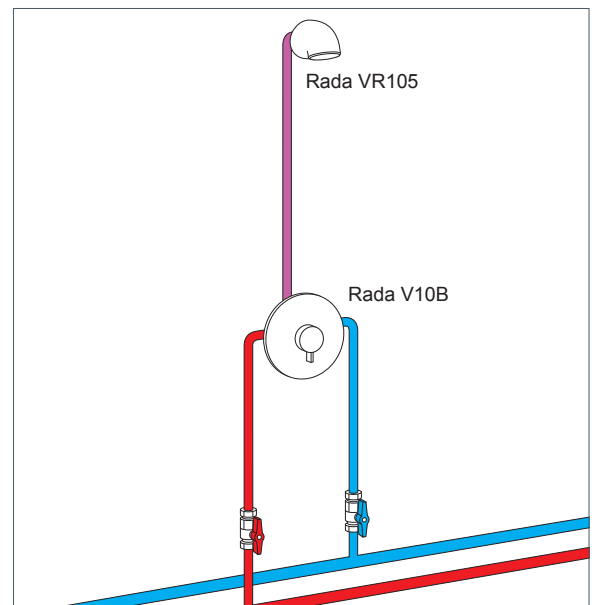
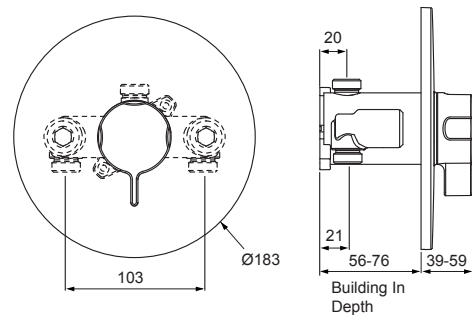
Rada bsr-s/300 - Shower Fitting

Rada EV - Shower Fittings

Rada EV - Heavy Duty Shower Fittings

Rada SH1 Showerhead

DIMENSIONS (MM) & INSTALLATION





RADA V10 CONTRACT PACK

PRODUCT IMAGE



PRODUCT INFORMATION

PRODUCT CODE

1.1651.008

WEB

www.radacontrols.com/en/products/all-products/rada-v10-contract-pack/

COMPLIMENTARY PRODUCTS

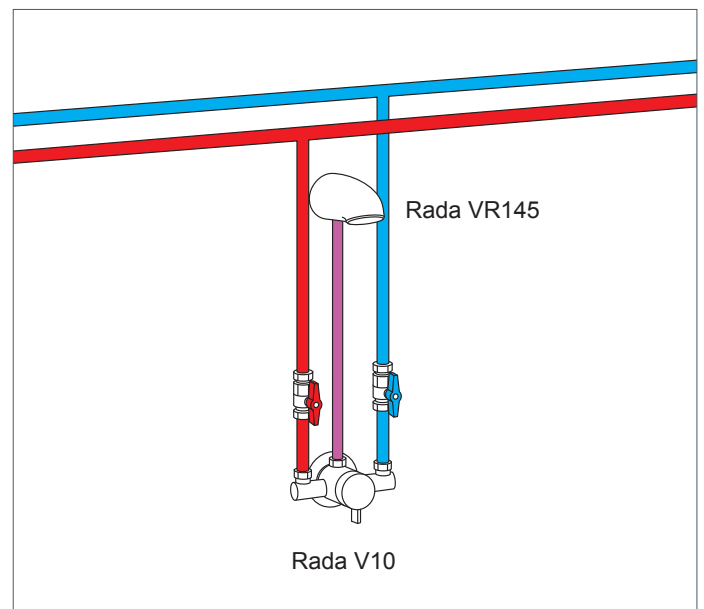
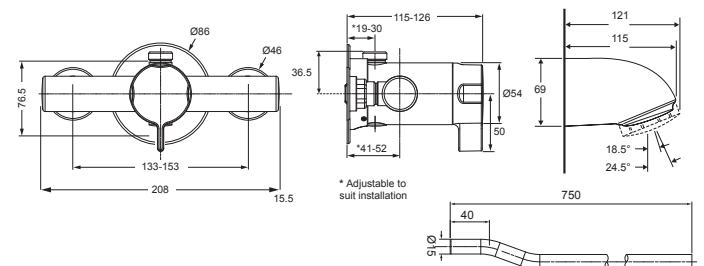
n/a

DESCRIPTION

Exposed, single sequential thermostatic shower valve. Supplied complete with integral strainers and optional flow regulators.

- Buildcert TMV2 Scheme Approved
- Supplied with vandal resistant showerhead and rigid riser pipe
- Adjustable inlet fixing centres for easy replacement of most existing installations
- Single sequential operation from off-cold-warm
- Easy grip handle complete with durable, clear graphics
- Robust construction to withstand heavy usage in the commercial environment
- Supplied is a 9l/min flow regulator and a 6l/min for increased water saving

DIMENSIONS (MM) & INSTALLATION





RADA MEYNELL V8/3

PRODUCT IMAGE



DESCRIPTION

½" exposed single sequential thermostatic mixing valve. Supplied complete with integral strainers.

- Buildcert TMV2 Scheme Approved
- Single sequential control for ease of use
- High flow rates at low pressure
- Robust and durable
- Connections: (Inlets) 15mm compression. (Outlet) Reversible outlet connector: ½" BSP male or 15mm compression

PRODUCT INFORMATION

PRODUCT CODE

PESM0563P

WEB

www.radacontrols.com/en/products/all-products/rada-meynell-v83/

COMPLIMENTARY PRODUCTS

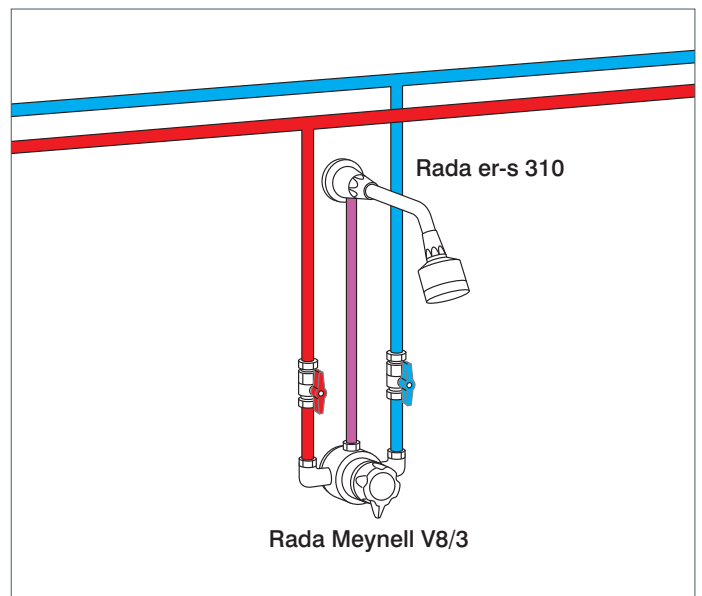
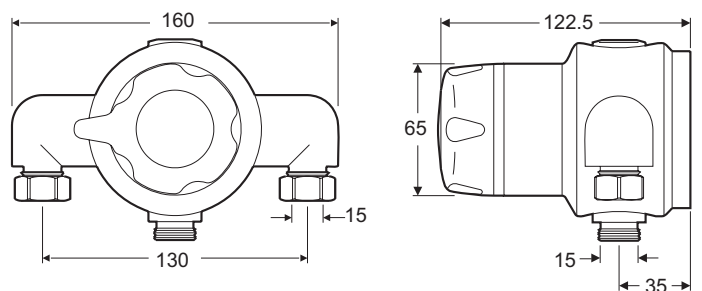
Rada VR Range - Showerheads

Rada er-s 310 - Shower Fitting

Rada EV - Shower Fittings

Rada EV - Heavy Duty Shower Fittings

DIMENSIONS (MM) & INSTALLATION





RADA MEYNELL V8/3 B

PRODUCT IMAGE



DESCRIPTION

½" built-in single sequential thermostatic mixing valve. Supplied complete with integral strainers.

- Buildcert TMV2 Scheme Approved
- Single sequential control for ease of use
- Recessed for use with concealed pipe work
- High flow rates at low pressure
- Connections: (Inlets) 15mm compression. (Outlet) Reversible outlet connector: ½" BSP male or 15mm compression

PRODUCT INFORMATION

PRODUCT CODE

PRSM0563P

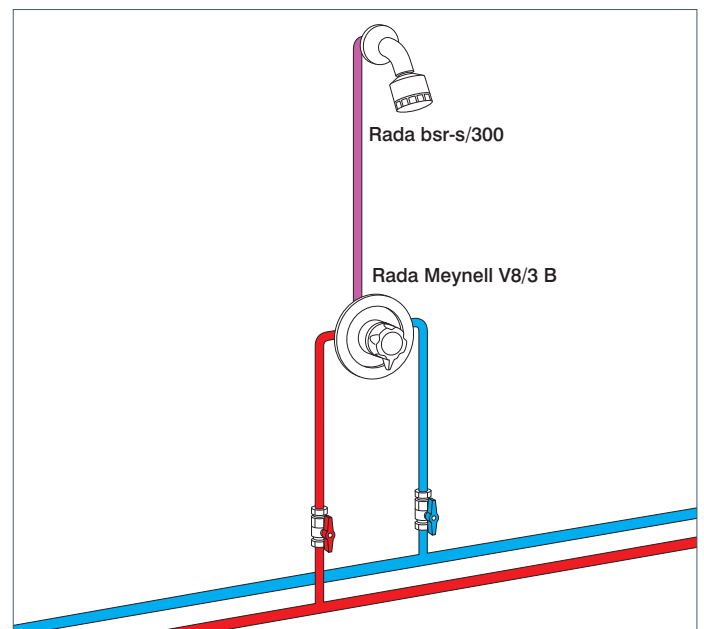
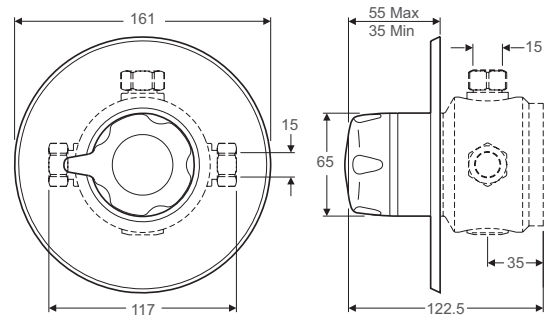
WEB

www.radacontrols.com/en/products/all-products/rada-meynell-v83-b/

COMPLIMENTARY PRODUCTS

Rada VR Range - Showerheads
 Rada bsr-s/300 - Shower Fitting
 Rada EV Shower Fittings
 Rada EV Heavy Duty Shower Fittings
 Rada RAC Connector

DIMENSIONS (MM) & INSTALLATION





RADA MEYNELL V8/3 L

PRODUCT IMAGE



DESCRIPTION

½" exposed single sequential thermostatic mixing valve with long lever for less abled use. Supplied complete with integral strainers.

- Buildcert TMV2 Scheme Approved
- Single sequential control for ease of use
- High flow rates at low pressure
- Robust and durable
- Connections: (Inlets) 15mm compression. (Outlet) Reversible outlet connector: ½" BSP male or 15mm compression

PRODUCT INFORMATION

PRODUCT CODE

PESM0625P

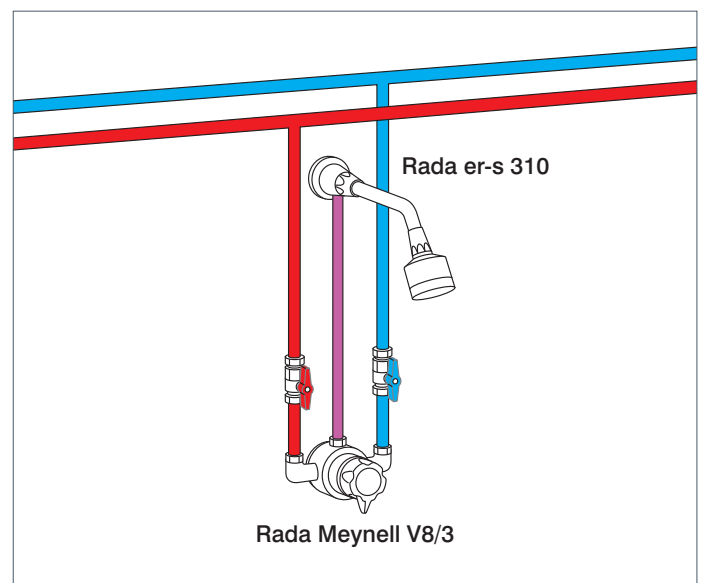
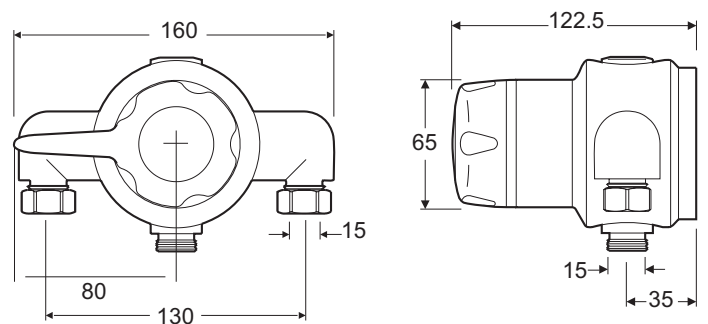
WEB

www.radacontrols.com/en/products/all-products/rada-meynell-v83-l/

COMPLIMENTARY PRODUCTS

Rada VR Range - Showerheads
 Rada er-s 310 - Shower Fitting
 Rada EV Shower Fittings
 Rada EV Heavy Duty Shower Fittings

DIMENSIONS (MM) & INSTALLATION





RADA MEYNELL V8/3 BL

PRODUCT IMAGE



DESCRIPTION

½" built-in single sequential thermostatic mixing valve with long lever for less abled use. Supplied complete with integral strainers.

- Buildcert TMV2 Scheme Approved
- Single sequential control for ease of use
- Recessed for use with concealed pipe work
- High flow rates at low pressure
- Connections: (Inlets) 15mm compression. (Outlet) Reversible outlet connector: ½" BSP male or 15mm compression

PRODUCT INFORMATION

PRODUCT CODE

PRSM0625P

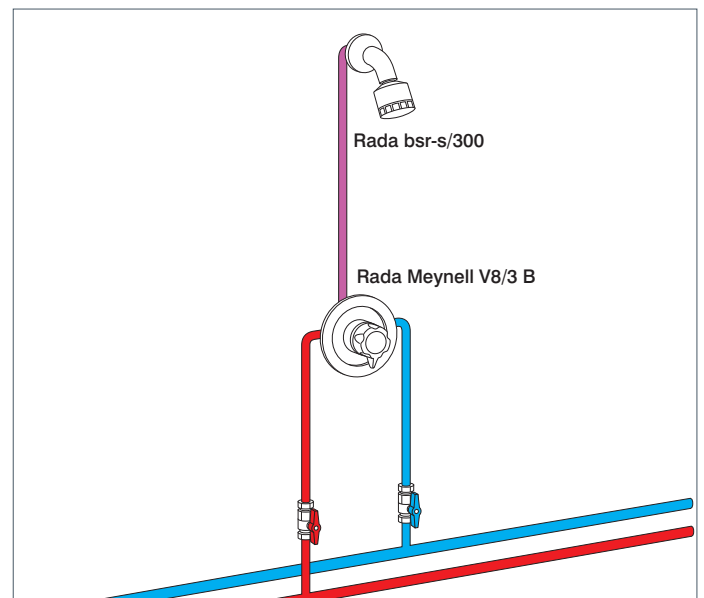
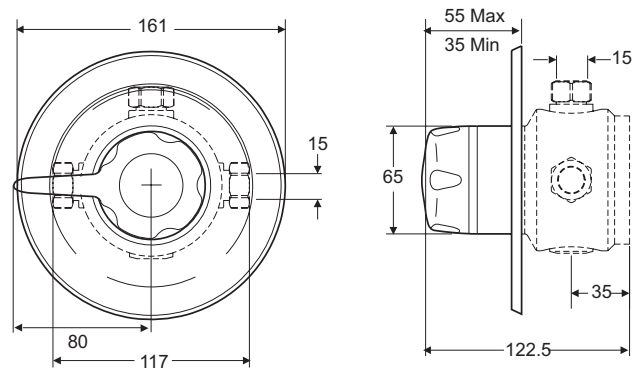
WEB

www.radacontrols.com/en/products/all-products/rada-meynell-v83-bl/

COMPLIMENTARY PRODUCTS

Rada VR Range - Showerheads
 Rada bsr-s 300 - Shower Fitting
 Rada RAC Connector
 Rada EV Shower Fittings
 Rada EV Heavy Duty Shower Fittings

DIMENSIONS (MM) & INSTALLATION





RADA EXACT-3

PRODUCT IMAGE



DESCRIPTION

½" exposed thermostatic shower control, incorporating Radatherm service-free cartridge. Pre-set maximum temperature stop. This product can also be used with a rising outlet when fixed to Rada er-s 310 kit, or VR145 and Rada Riser.

- Buildcert TMV3 Scheme Approved
- Independent flow and temperature controls for ease of use
- Adjustable elbows to allow top, bottom or rear entry pipe work
- Reversed inlet connections supported
- Service friendly – supplied with integral strainers and easy-change plug-in cartridge
- Connections: 15mm compression or ½" BSP

PRODUCT INFORMATION

PRODUCT CODE

1.0.408.01.3

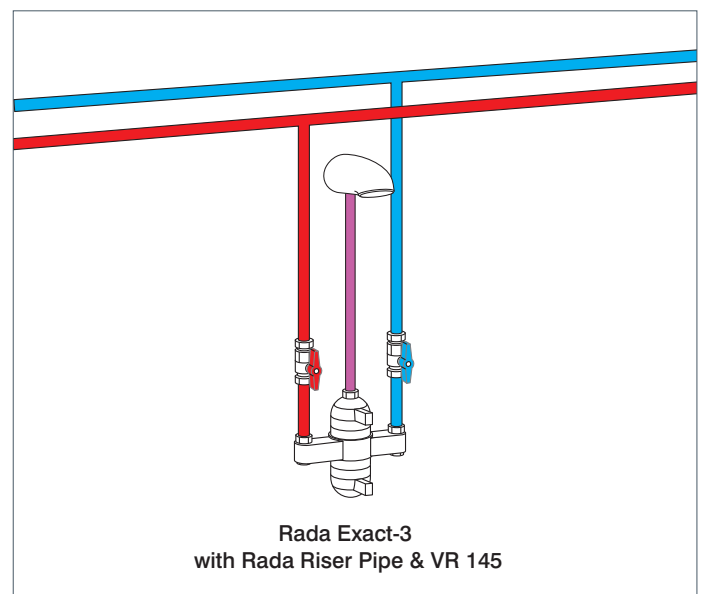
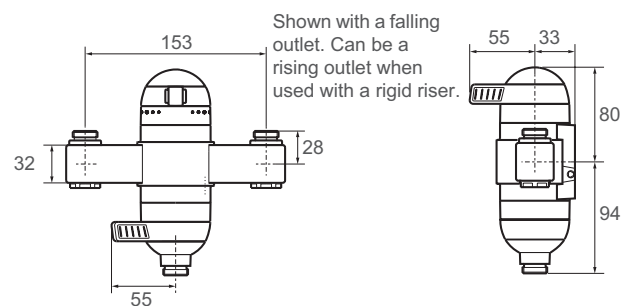
WEB

www.radacontrols.com/en/products/all-products/rada-exact-3/

COMPLIMENTARY PRODUCTS

Rada VR Range - Showerheads
 Rada er-s 310 - Shower Fitting
 Rada EV Shower Fittings
 Rada EV Heavy Duty Shower Fittings
 Rada Riser Pipe

DIMENSIONS (MM) & INSTALLATION





RADA EXACT-3 EV

PRODUCT IMAGE



DESCRIPTION

½" exposed thermostatic shower control, incorporating Radatherm service-free cartridge. Pre-set maximum temperature stop. Supplied with Mira Response exposed variable shower fittings.

- Buildcert TMV3 Scheme Approved
- Independent flow and temperature controls for ease of use
- Adjustable elbows to allow top, bottom or rear entry pipe work
- Reversed inlet connections supported
- Service friendly – supplied with integral strainers and easy-change plug-in cartridge
- Connections: 15mm compression or ½" BSP

PRODUCT INFORMATION

PRODUCT CODE

1.0.409.48.1

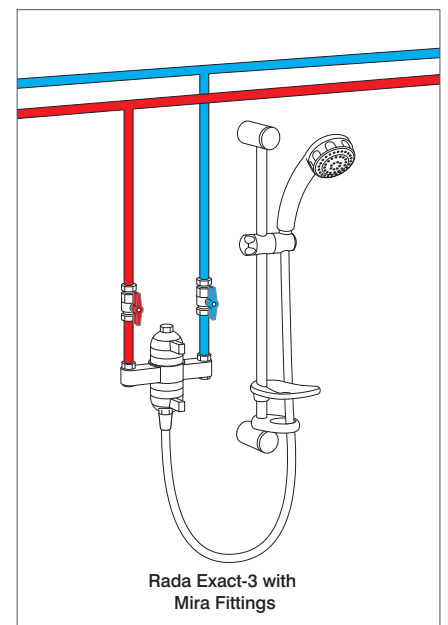
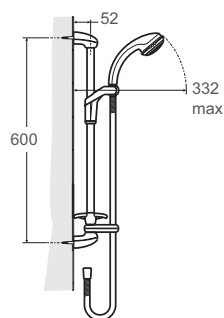
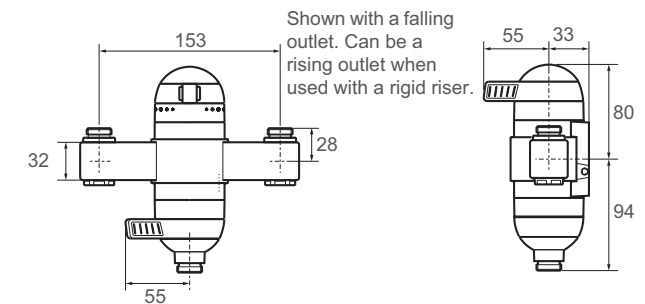
WEB

www.radacontrols.com/en/products/all-products/rada-exact-3ev/

COMPLIMENTARY PRODUCTS

Rada EV Shower Fittings
Rada EV Heavy Duty Shower Fittings

DIMENSIONS (MM) & INSTALLATION





RADA EXACT-3 B CHROME

PRODUCT IMAGE



PRODUCT INFORMATION

PRODUCT CODE

1.0.427.02.1

WEB

www.radacontrols.com/en/products/all-products/rada-exact-3b-chrome/

COMPLIMENTARY PRODUCTS

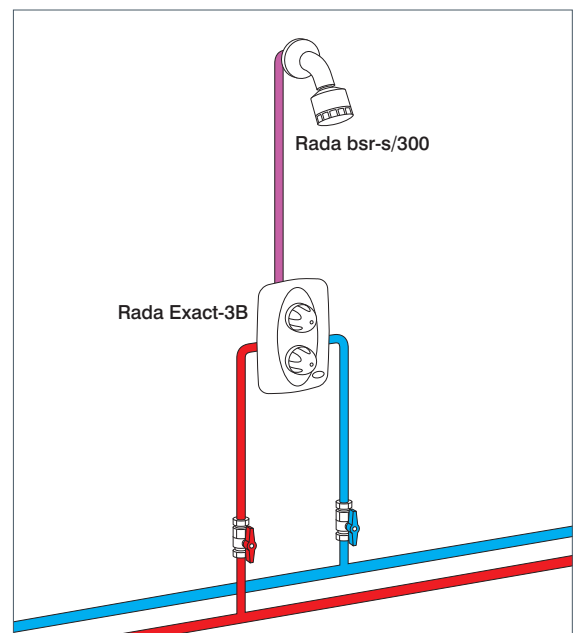
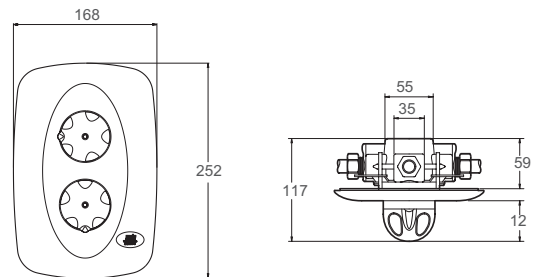
Rada VR Range - Showerheads
Rada bsr-s 300 - Shower Fittings

DESCRIPTION

½" built-in thermostatic shower control, for concealed pipework, incorporating Radatherm service-free cartridge, ceramic disc flow control cartridge and check valve and strainer cartridges, housed within a chrome plated DZR brass body. This product can also be used with a rigid Showerhead such as VR105 or BSR-S 300 shower fitting.

- Buildcert TMV3 Scheme Approved
- Independent flow and temperature controls for ease of use
- Recessed for use with concealed pipe work
- Reversed inlet connections supported
- Service friendly – supplied with integral strainers and easy-change plug-in cartridge
- Connections: 15mm compression or ½" BSP

DIMENSIONS (MM) & INSTALLATION





RADA PA - 15TF/15TFW

PRODUCT IMAGE



DESCRIPTION

Ready to install shower panel with hot and cold water pipe entry connecting to Rada Meynell 15/3, feeding a Rada TF503 push button timed flow control and Rada VR105 Showerhead. Available in satin stainless steel or white powder coated stainless steel.

- Buildcert TMV3 Scheme Approved
- Concealed pipe work which protects users from high surface temperatures
- Robust and durable materials used throughout
- Easy to install and maintain – integral isolators and flexible connections provided
- Connections: (Inlet) 15mm compression to both hot and cold water inlet pipe

PRODUCT INFORMATION

PRODUCT CODE

Rada PA - 15TF (satin stainless steel) - 1.1613.044

Rada PA - 15TFW (white powder coated) - 1.1613.045

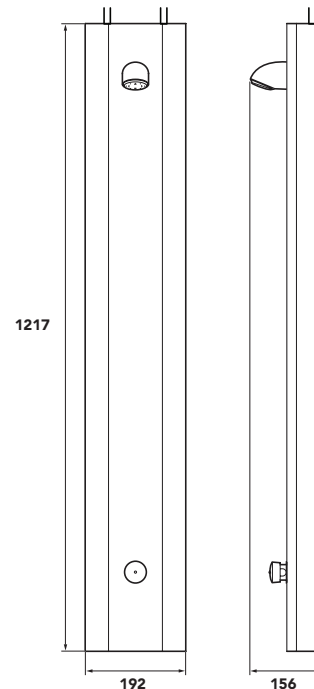
WEB

www.radacontrols.com/en/products/all-products/rada-pa-15tf-shower-panel-assembly/

COMPLIMENTARY PRODUCTS

n/a

DIMENSIONS (MM)





RADA PA - 215TF/215TFW

PRODUCT IMAGE



PRODUCT INFORMATION

PRODUCT CODE

Rada PA - 215TF (satin stainless steel) - 1.1613.046

Rada PA - 215TFW (white powder coated) - 1.1613.047

WEB

www.radacontrols.com/en/products/all-products/rada-pa-215tf-shower-panel-assembly/

COMPLIMENTARY PRODUCTS

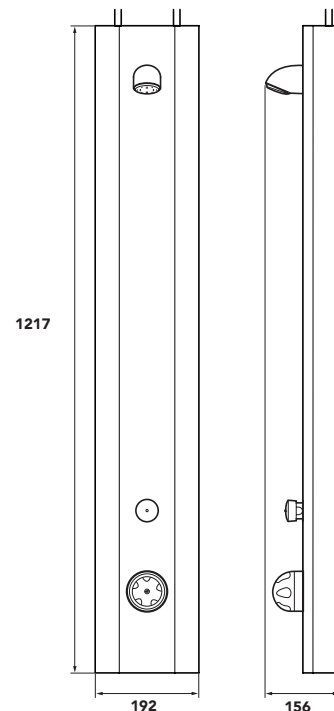
n/a

DESCRIPTION

Ready to install shower panel with hot and cold water pipe entry connection to a Rada 215-t3, with adjustable temperature selection, feeding a Rada TF503 push button timed flow control and Rada VR105 Showerhead. Available in satin stainless steel or white powder coated stainless steel.

- Buildcert TMV3 Scheme Approved
- User selection of flow and temperature (up to a safe, pre-set maximum)
- Concealed pipe work which protects users from high surface temperatures
- Robust and durable materials used throughout
- Easy to install and maintain – integral isolators and flexible connections provided
- Connections: (Inlet) 15mm compression to both hot and cold water inlet pipe

DIMENSIONS (MM)





RADA PA - V8F/V8FW

PRODUCT IMAGE



DESCRIPTION

Ready to install shower panel with hot and cold water pipe entry to a Rada Meynell V8/3, with easy clean single spray handset, flexible hose and robust slide bar with easy to use slide mechanism. Available in stainless steel or white powder coated stainless steel.

- Buildcert TMV3 Scheme Approved
- Concealed pipe work which protects users from high surface temperatures
- Long sleek design - Suitable for many different ages and abilities
- Robust and durable materials used throughout
- Easy to install and maintain – integral isolators and flexible connections provided
- Connections: (Inlet) 15mm compression to both hot and cold water inlet pipes

PRODUCT INFORMATION

PRODUCT CODE

Rada PA - V8F (satin stainless steel) - 1.1613.048

Rada PA - V8FW (white powder coated) - 1.1613.049

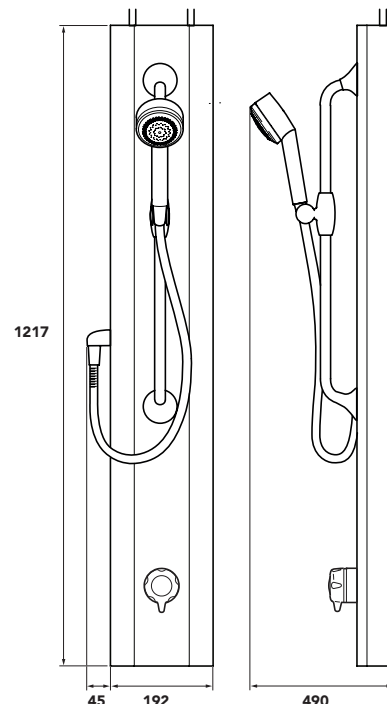
WEB

www.radacontrols.com/en/products/all-products/rada-pa-v8f-shower-panel-assembly/

COMPLIMENTARY PRODUCTS

n/a

DIMENSIONS (MM)





RADA PA - V8VR2/V8VR2W

PRODUCT IMAGE



PRODUCT INFORMATION

PRODUCT CODE

Rada PA - V8VR2 (Stainless Steel) - 1.1613.142
Rada PA - V8VR2W (White) - 1.1613.143

WEB

www.radacontrols.com/en/products/all-products/rada-pa-v8vr2-shower-panel-assembly

COMPLIMENTARY PRODUCTS

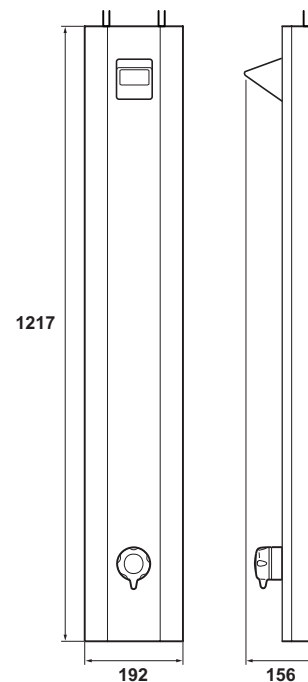
n/a

DESCRIPTION

Ready to install shower panel with hot and cold water pipe entry to a Rada Meynell V8/3, with a Rada VR2 vandal resistant chrome plated shower head. Available in stainless steel or white powder coated stainless steel.

- Buildcert TMV3 Scheme Approved
- User selection of flow and temperature (up to a safe, pre-set maximum)
- Concealed pipe work which protects users from high surface temperatures
- Robust and durable materials used throughout
- Easy to install and maintain – integral isolators and flexible connections provided
- Connections: (Inlet) 15mm compression to both hot and cold water inlet pipes

DIMENSIONS (MM)





GROUP SHOWERING

Included in Rada's highly effective group showering solutions are thermostatic mixing valves with 15mm, 22mm and 28mm outlets that enable perfect temperature blending.

These can be combined with Rada's stylish, vandal-resistant showerheads and push-button mechanical timed flow controls which prevent water being wasted. Electronic washroom control systems are also available with non-touch controls which promote increased levels of hygiene. Rada also offers pre-plumbed panels for group showering applications. Supplied ready to connect, these reduce installation times and are available with either mechanical or electronic timed flow controls.



RADA 425 IC

PRODUCT IMAGE



DESCRIPTION

Thermostatic mixing valve incorporating the patented Radatherm temperature sensor, capable of close temperature control between 8 - 200 l/m.

- Ideal for large group showering installations
- Integral temperature stop limits maximum temperature
- Service friendly – supplied with integral isolators, check valves and strainers
- Surface Mounting. Angle inlet elbows incorporate isolating ball valves, check valves and strainers. Inlets & outlet connections are 28mm compression

PRODUCT INFORMATION

PRODUCT CODE

1.1847.005

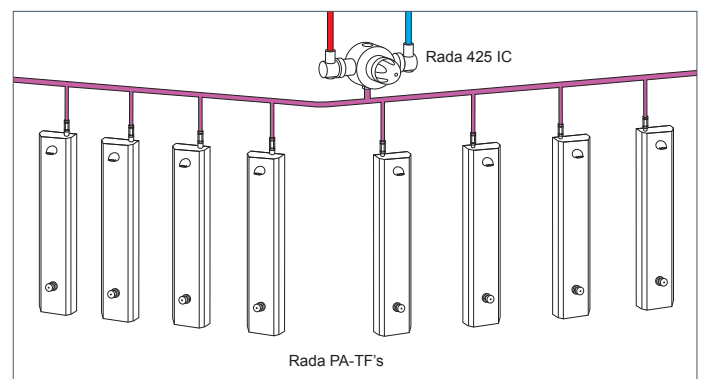
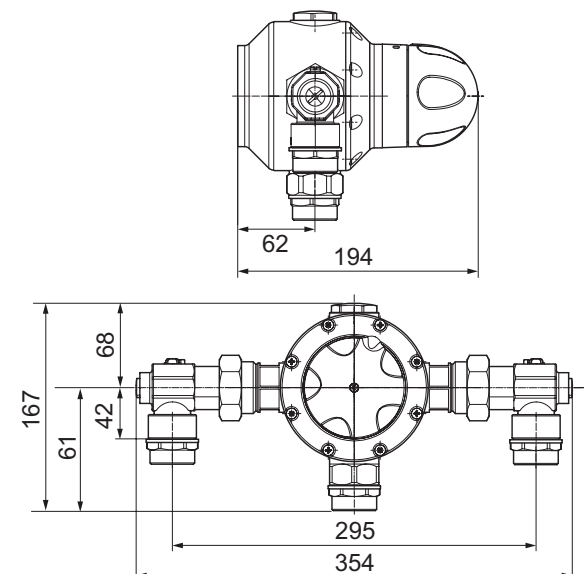
WEB

www.radacontrols.com/en/products/all-products/rada-425-ic/

COMPLIMENTARY PRODUCTS

Rada VR Range - Showerheads
 Rada Pulse Showering - Electronic Timed Flow Control
 Rada PA-TF - Shower Panel(s)
 Rada PA-ETF - Shower Panel(s)
 Rada Timed Flow Controls

DIMENSIONS (MM) & INSTALLATION





RADA 320 IC

PRODUCT IMAGE



DESCRIPTION

Thermostatic mixing valve incorporating the patented Radatherm temperature sensor, capable of close temperature control between 6 - 120 l/m.

- Ideal for medium group showering installations
- Integral temperature stop limits maximum temperature
- Service friendly – supplied with integral isolators, check valves and strainers
- Surface Mounting. Angle inlet elbows incorporate isolating ball valves, check valves and strainers. Inlets & outlet connections are 28mm compression

PRODUCT INFORMATION

PRODUCT CODE

1.1847.013

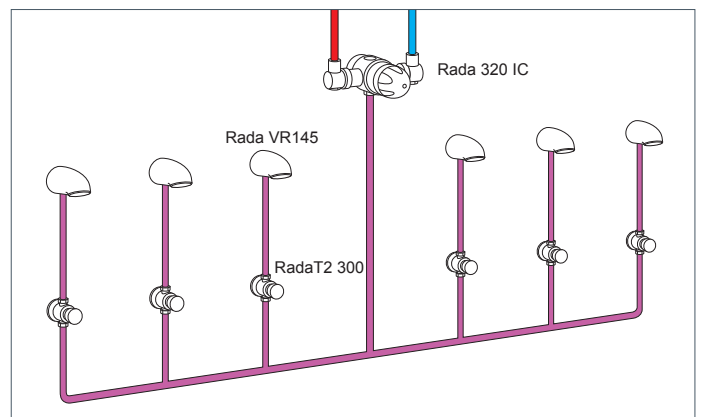
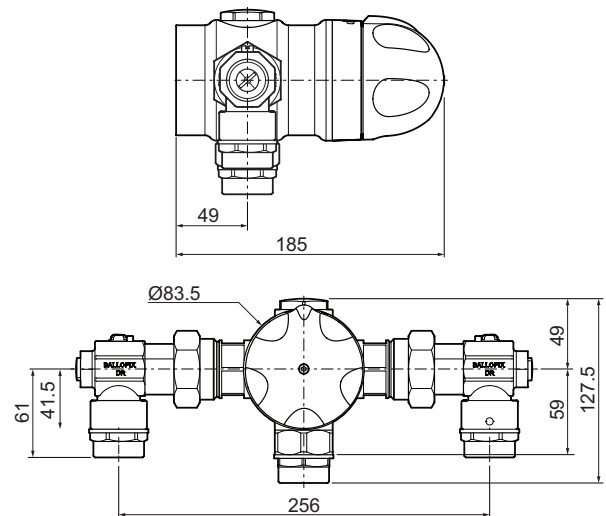
WEB

www.radacontrols.com/en/products/all-products/rada-320-ic/

COMPLIMENTARY PRODUCTS

- Rada VR Range - Showerheads
- Rada Pulse Showering - Electronic Timed Flow Control
- Rada PA-TF - Shower Panel(s)
- Rada PA-ETF - Shower Panel(s)
- Rada Timed Flow Controls

DIMENSIONS (MM) & INSTALLATION





RADA 215-T3 C

PRODUCT IMAGE



DESCRIPTION

½" thermostatic mixing valve incorporating Radatherm service-free cartridge, check valves and strainers. Supplied with ½" flat faced union connectors terminating in 15 mm compression connections.

- Buildcert TMV3 Scheme Approved
- Features a sealed service-free temperature cartridge
- Complete with check valves and strainers
- Connections: (Inlet/Outlet) ½" BSP external union or 15mm compression (nut and olive provided)

PRODUCT INFORMATION

PRODUCT CODE

1.0.440.01.1

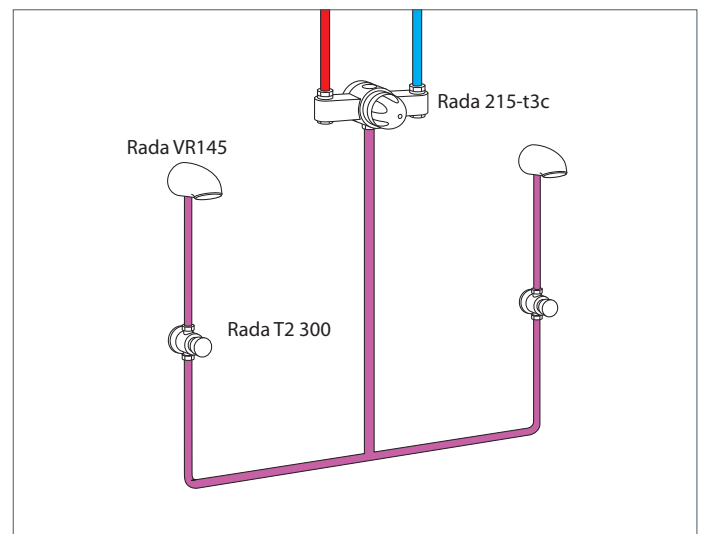
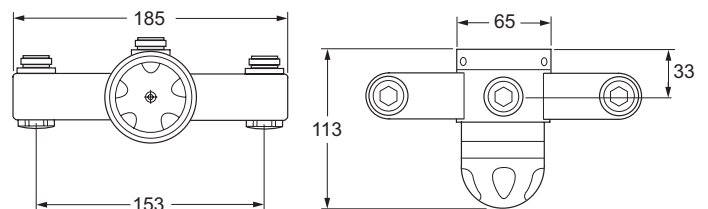
WEB

www.radacontrols.com/en/products/all-products/rada-215-t3-c-thermostatic-mixing-valve/

COMPLIMENTARY PRODUCTS

Rada Timed Flow Controls
Rada VR Range - Showerheads

DIMENSIONS (MM) & INSTALLATION





RADA 215-T3 BC

PRODUCT IMAGE



DESCRIPTION

½" thermostatic mixing valve incorporating a sealed, service free cartridge, non-return valves, strainers and integral isolating valves. Connections are ½" BSP external union or 15 mm compression.

- Buildcert TMV3 Scheme Approved
- Features a sealed 'service-free' temperature cartridge
- Complete with check valves and strainers
- Connections: (Inlet/Outlet) ½" BSP external union or 15mm compression (nut and olive provided)

PRODUCT INFORMATION

PRODUCT CODE

1.1624.001

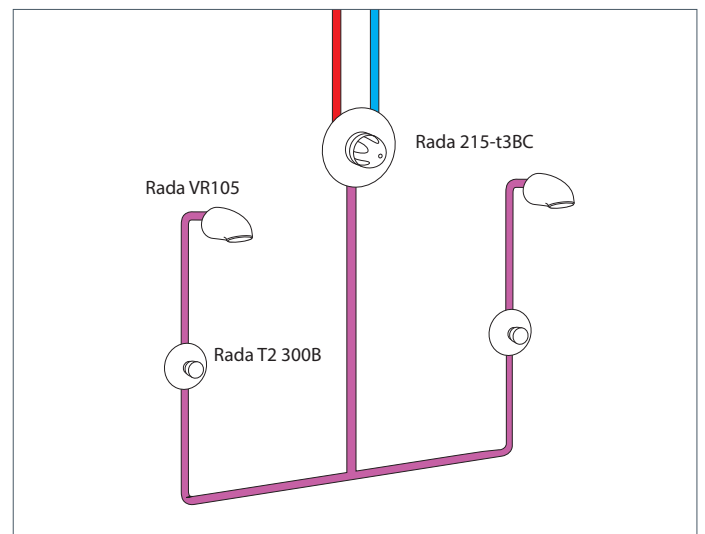
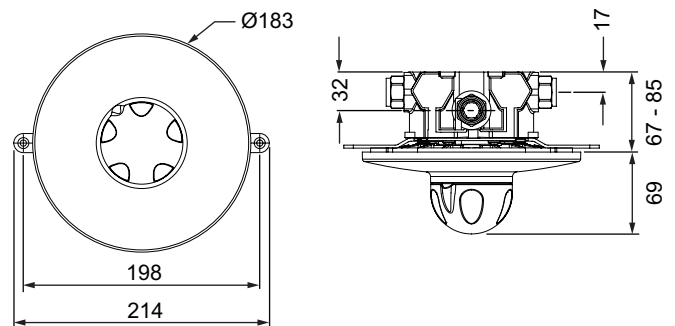
WEB

www.radacontrols.com/en/products/all-products/rada-215-t3-bc-thermostatic-mixing-valve/

COMPLIMENTARY PRODUCTS

Rada Timed Flow Controls
Rada VR Range - Showerheads

DIMENSIONS (MM) & INSTALLATION





RADA MEYNELL V8/3 K

PRODUCT IMAGE



DESCRIPTION

1/2" exposed 'lockshield' thermostatic mixing valve featuring a tamper proof cover with pre-set maximum temperature stop facility adjustable to suit site requirements. Supplied complete with integral check valves and strainers.

- Buildcert TMV2 Scheme Approved
- High flow rates at low pressure
- Robust and durable
- Connections: (Inlets) 15mm compression. (Outlet) Reversible outlet connector: 1/2" BSP male or 15mm compression

PRODUCT INFORMATION

PRODUCT CODE

PESM0626P

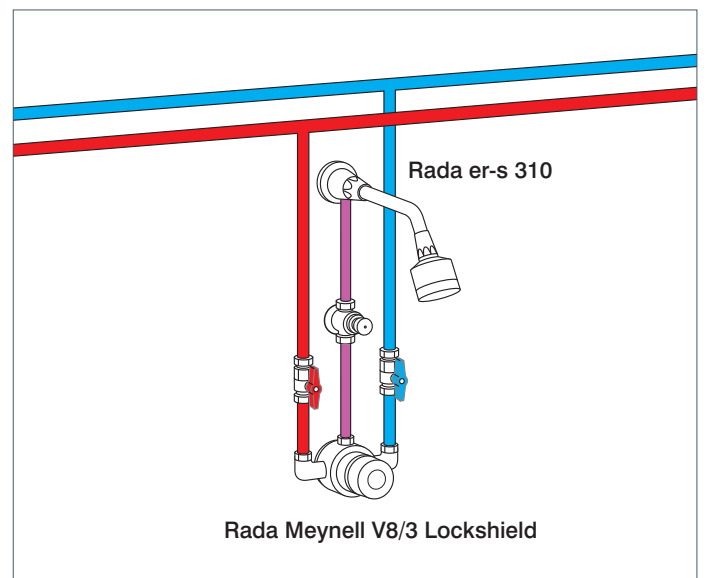
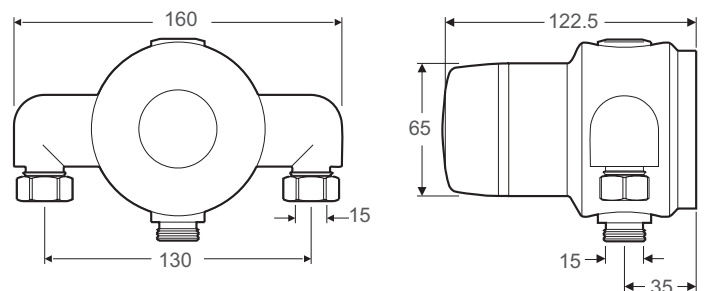
WEB

www.radacontrols.com/en/products/all-products/rada-meynell-v83-k/

COMPLIMENTARY PRODUCTS

Rada Timed Flow Controls
Rada VR Range - Showerheads

DIMENSIONS (MM) & INSTALLATION





RADA S.PA 1 SHOWER PANEL

PRODUCT IMAGE



PRODUCT INFORMATION

PRODUCT CODE

silver - 1.1776.001
white - 1.1776.002

WEB

www.radacontrols.com/en/products/all-products/rada-spa-1-shower-panel

COMPLIMENTARY PRODUCTS

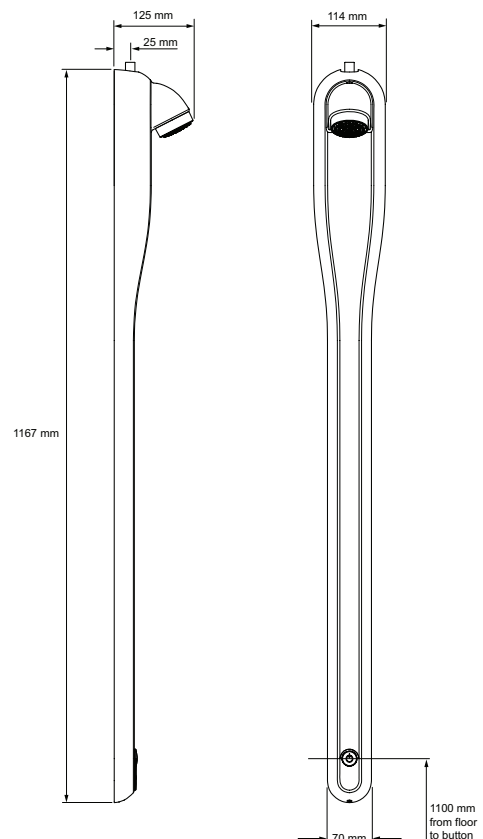
Rada 320 IC - Group Mixing Valve
Rada 425 IC - Group Mixing Valve

DESCRIPTION

Ready to install slimline shower panel manufactured from a stain resistant acrylic resin stone, available in either silver or white finish. Single pipe entry for connection to a pre-blended supply, offering programmable shower times, automatic duty flushing and duty flush run times.

- Pre-plumbed shower panel with electronic timed flow control for connection to a pre-blended supply
- Panel powered by Hybrid Energy System - eliminating need for regular battery replacement (mains power not required), offering up to 10 years life
- Water & Energy Saving - Shower will automatically stop after pre-programmed time – prevents users leaving running
- BREEAM compliant flow rates
- Aids Legionella Control Compliance – through automated duty flushing
- Panel can be programmed to suit site preferences – Select from a choice of shower run times, duty flush intervals & duty flush run times
- Robust Construction – tri-laminate acrylic capped resin stone casing, resistant to water staining

DIMENSIONS (MM)





RADA PA - TF/TFW

PRODUCT IMAGE



DESCRIPTION

Ready to install panel with single pipe entry for connection to pre-blended supply, incorporating a Rada TF503 push button timed flow control and Rada VR105 vandal resistant Showerhead. Available in satin stainless steel or white finish.

- Concealed pipe-work which protects users from high surface temperatures
- Robust & durable materials used throughout
- Easy to install and maintain - Integral isolator and flexible connection provided
- • Connections: (Inlet) 15mm

PRODUCT INFORMATION

PRODUCT CODE

satin stainless steel - 1.1613.040
white powder coated - 1.1613.041

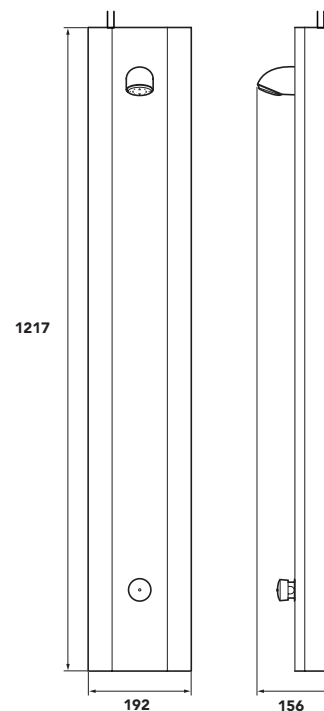
WEB

www.radacontrols.com/en/products/all-products/rada-pa-tf-shower-panel-assembly/

COMPLIMENTARY PRODUCTS

Rada 320 IC - Group Mixing Valve
Rada 425 IC - Group Mixing Valve

DIMENSIONS (MM)





RADA PA - ETF

PRODUCT IMAGE



DESCRIPTION

Ready to install satin finish stainless steel panel with single pipe entry for connection to pre-blended supply, incorporating Rada Pulse 129 electronic timed flow operating system with hygienic "no-touch" sensor (for connection to Rada Pulse Control Box) and Rada VR105 Showerhead.

- Concealed pipe-work which protects users from high surface temperatures
- Robust & durable materials used throughout
- Easy to install and maintain - Integral isolator and flexible connection provided
- Connections: (Inlet) 15mm compression to blended water inlet pipe

PRODUCT INFORMATION

PRODUCT CODE

1.1613.042

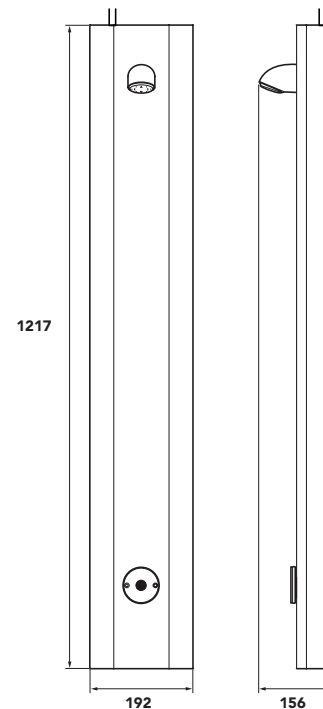
WEB

www.radacontrols.com/en/products/all-products/rada-pa-etf-shower-panel-assembly/

COMPLIMENTARY PRODUCTS

Rada 320 IC - Group Mixing Valve
 Rada 425 IC - Group Mixing Valve
 Rada Pulse Range - Electronic Timed Flow Control

DIMENSIONS (MM)





RADA T1 300 TIMED FLOW CONTROL

PRODUCT IMAGE



PRODUCT INFORMATION

PRODUCT CODE

2.1762.055

WEB

www.radacontrols.com/en/products/all-products/rada-t1-300-timed-flow-control/

COMPLIMENTARY PRODUCTS

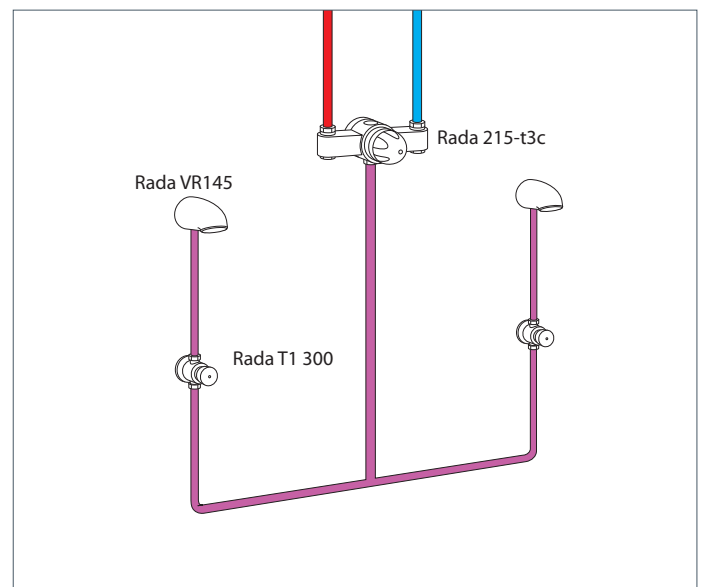
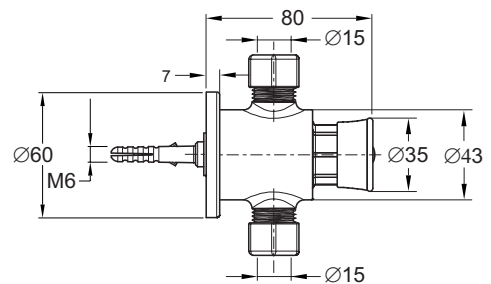
n/a

DESCRIPTION

Surface mount, chrome finish, push-button shower control with 30 (± 10) seconds time flow.

- Water saving
- Robust design
- Easy to service one piece cartridge
- Ideal for group showering applications
- Adjustable flow rate
- Soft closing action
- 15mm compression connections

DIMENSIONS (MM) & INSTALLATION





RADA T2 300 TIMED FLOW CONTROL

PRODUCT IMAGE



PRODUCT INFORMATION

PRODUCT CODE

2.1762.063

WEB

www.radacontrols.com/en/products/all-products/rada-t2-300-timed-flow-control/

COMPLIMENTARY PRODUCTS

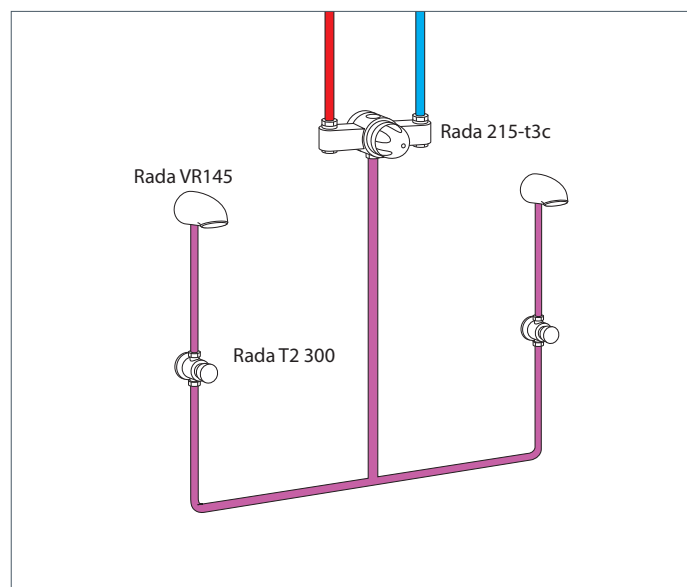
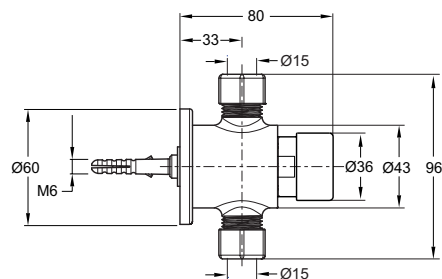
n/a

DESCRIPTION

Surface mount, chrome finish, push button shower control with 30 (± 10) seconds time flow.

- Water saving
- Aesthetic and robust design
- Easy to service one piece cartridge
- Soft closing action.
- Adjustable flow rate
- 15mm compression connections

DIMENSIONS (MM) & INSTALLATION





RADA T2 300B TIMED FLOW CONTROL

PRODUCT IMAGE



DESCRIPTION

Built in, chrome finish, push button shower control with 30 (± 10) seconds time flow.

- Water saving
- Aesthetic and robust design
- Easy to service one piece cartridge
- Soft closing action
- Adjustable flow rate
- 15mm compression connections

PRODUCT INFORMATION

PRODUCT CODE

2.1762.061

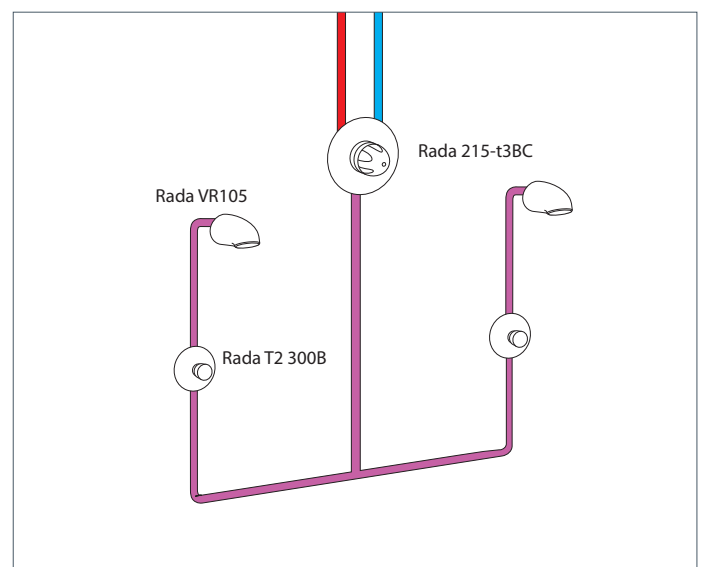
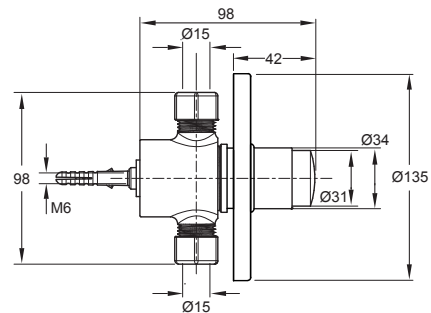
WEB

www.radacontrols.com/en/products/all-products/rada-t2-300b-timed-flow-control/

COMPLIMENTARY PRODUCTS

n/a

DIMENSIONS (MM) & INSTALLATION





RADA T2 320 TIMED FLOW CONTROL

PRODUCT IMAGE



PRODUCT INFORMATION

PRODUCT CODE

2.1762.062

WEB

www.radacontrols.com/en/products/all-products/rada-t2-320-timed-flow-control/

COMPLIMENTARY PRODUCTS

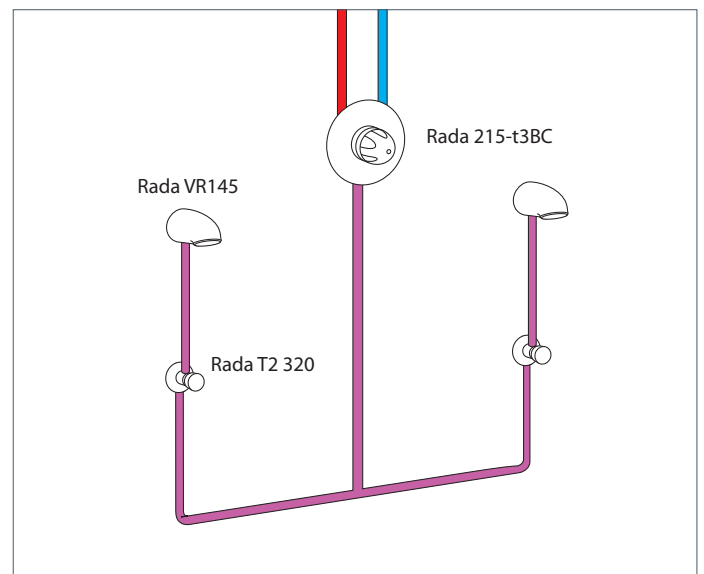
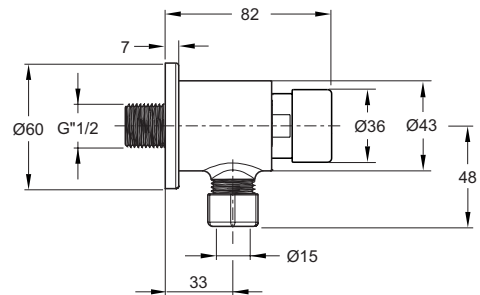
n/a

DESCRIPTION

Surface mount rear fed, chrome finish, push button shower control with 30 (± 10) seconds time flow.

- Water saving
- Aesthetic and robust design
- Easy to service one piece cartridge
- Soft closing action.
- Adjustable flow rate
- ½" BSP flat face inlet, 15mm compression outlet

DIMENSIONS (MM) & INSTALLATION





RADA TF 31/1, 31/2, 31/3 TIMED FLOW CONTROL

PRODUCT IMAGE



DESCRIPTION

½" push-button flow control for duct mounting with 30 second timed flow and complete with extended rod options for extra security and varying wall thickness with 15 mm compression fittings. Incorporates internal flow adjuster.

- Water saving
- Vandal resistant
- Minimal maintenance
- Easy to use - push-button controls
- Specially designed for prison applications
- Connections: 15mm compression. Alternatively a ¾" BSP male thread is available by removing the compression nuts

PRODUCT INFORMATION

PRODUCT CODE

Rada TF31/1 - 1.0.095.01.1
 Rada TF31/2 - 1.0.095.02.1
 Rada TF31/3 - 1.0.095.03.1

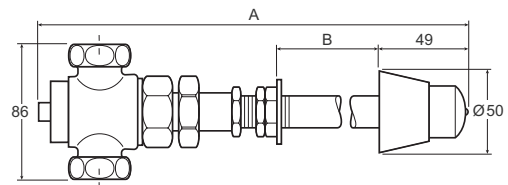
WEB

www.radacontrols.com/en/products/all-products/rada-tf-311/
www.radacontrols.com/en/products/all-products/rada-tf-312/
www.radacontrols.com/en/products/all-products/rada-tf-313/

COMPLIMENTARY PRODUCTS

n/a

DIMENSIONS (MM)



MODEL	A OVERALL LENGTH	B WALL THICKNESS
TF31/1	340	100 - 140
TF31/2	380	142 - 182
TF31/3	445	206 - 246

HAND WASHING

No matter whether the priority is safety, hygiene or infection control, Rada's comprehensive product range, meets the requirements of many different hand washing applications.

The wide selection of taps includes electronic sensor spouts, integrated thermostatic taps, timed flow taps and even digitally programmable products - see 'Digital Washroom Controls' section. Each offers the ease of maintenance and cleaning, reliable performance and outstanding durability that you would expect from the Rada name.



RADA MX1 20F

PRODUCT IMAGE



DESCRIPTION

Intelligent thermostatic basin tap with non-touch flow (IR) and temperature (capacitive) controls, smooth bore copper outlet pipe with open bore flow insert, check valve/filter unit, pex lined hoses, programmable temperatures, run time, automated blend duty flush and cold flush, thermal disinfection, integral 12 month data log and optional connection to building network systems.

- Non Touch IR flow control
- Non Touch capacitive temperature control
- Brass valve engine (no plastics)
- Integral smooth bore copper outlet pipe
- Open bore flow insert, removable for easy cleaning
- Pex flexible inlet tails
- High internal valve flow velocity
- Air tested at factory
- Programmable duty flushing / Thermal disinfection
- Integral 12 month data log
- Networkable using modbus RTU over RS485
- TMV3 Approved

PRODUCT INFORMATION

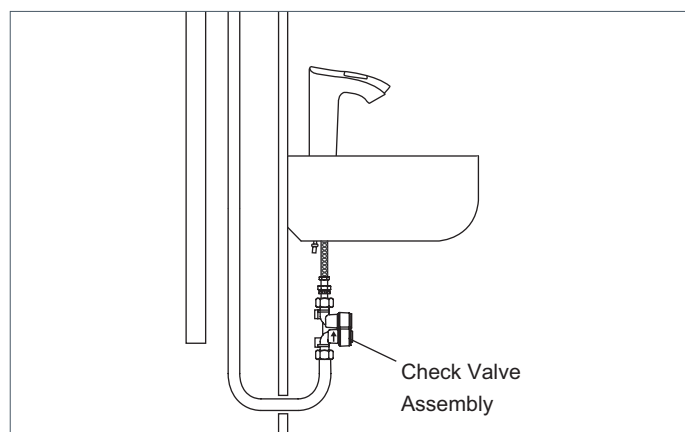
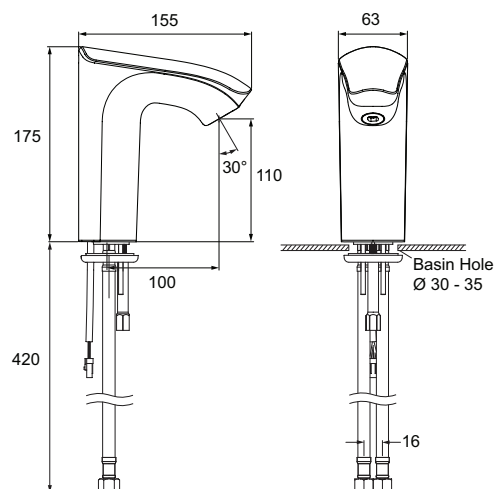
PRODUCT CODE

72942-CP

WEB

www.radacontrols.com/en/products/all-products/rada-mx1-20f-basin-tap/

DIMENSIONS (MM) & INSTALLATION





RADA MX1 20NF

PRODUCT IMAGE



DESCRIPTION

Intelligent thermostatic basin tap with non-touch flow (IR) control, smooth bore copper outlet pipe with open bore flow insert, check valve/filter unit, PEX lined hoses, programmable temperatures, run time, automated blend duty flush and cold flush, thermal disinfection, integral 12 month data log and optional connection to building network systems.

- Non Touch IR flow control
- Brass valve engine (no plastics)
- Integral smooth bore copper outlet pipe
- Open bore flow insert, removable for easy cleaning
- PEX flexible inlet tails
- High internal valve flow velocity
- Air tested at factory
- Programmable duty flushing / Thermal disinfection
- Integral 12 month data log
- Networkable using modbus RTU over RS485
- TMV3 Approved

PRODUCT INFORMATION

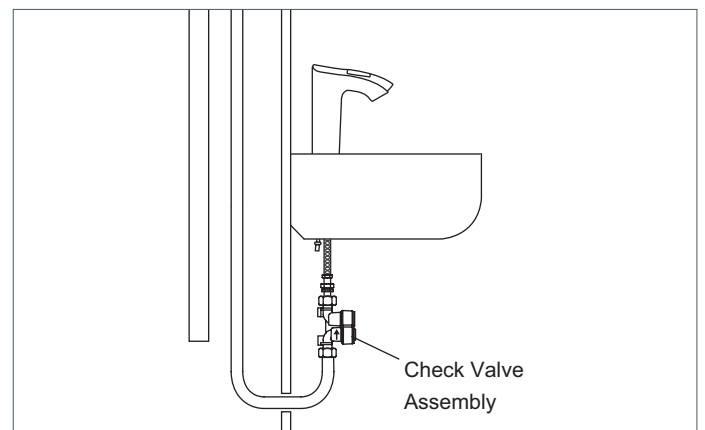
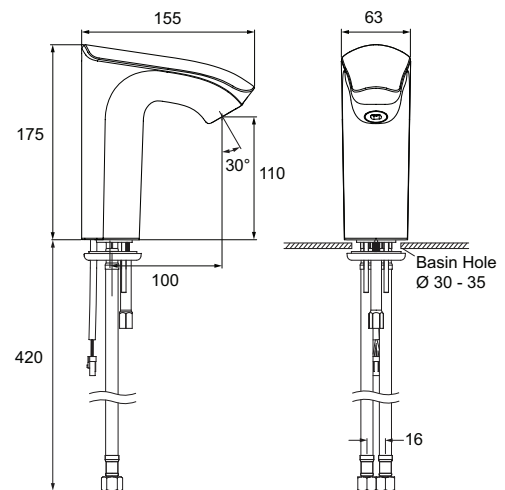
PRODUCT CODE

72943-CP

WEB

www.radacontrols.com/en/products/all-products/rada-mx1-20nf-basin-tap/

DIMENSIONS (MM) & INSTALLATION





RADA MX1 20CUK

PRODUCT IMAGE



DESCRIPTION

Intelligent thermostatic basin tap with non-touch flow (IR) and temperature (capacitive) controls, smooth bore copper outlet pipe with open bore flow insert, check valve/filter unit, copper tails, programmable temperatures, run time, automated blend duty flush and cold flush, thermal disinfection, integral 12 month data log and optional connection to building network systems.

- Non Touch IR flow control
- Non Touch capacitive temperature control
- Brass valve engine (no plastics)
- Integral smooth bore copper outlet pipe
- Open bore flow insert, removable for easy cleaning
- Copper inlet tails
- High internal valve flow velocity
- Air tested at factory
- Programmable duty flushing / Thermal disinfection
- Integral 12 month data log
- Networkable using modbus RTU over RS485
- HTM04-01 Compliant
- HBN00-10 Compliant (TP6 substitute / exceeds requirements of TPP1)
- TMV3 Approved

PRODUCT INFORMATION

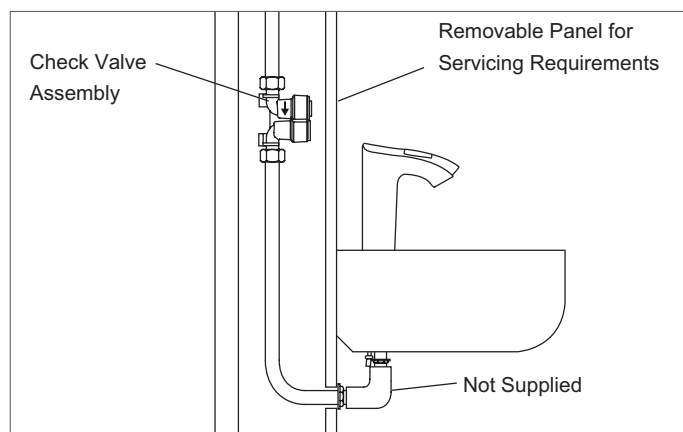
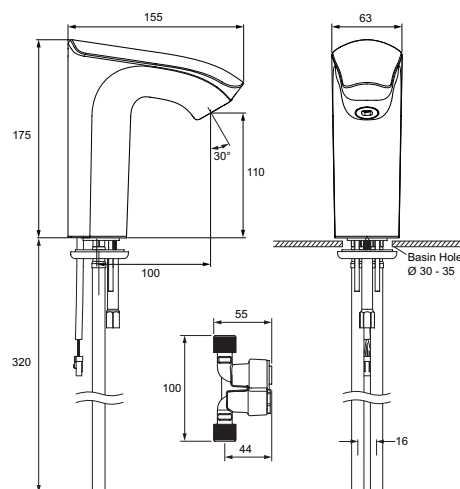
PRODUCT CODE

72940-CP

WEB

www.radacontrols.com/en/products/all-products/rada-mx1-20cuk-basin-tap/

DIMENSIONS (MM) & INSTALLATION





RADA MX1 20NCUK

PRODUCT IMAGE



DESCRIPTION

Intelligent thermostatic basin tap with non-touch flow (IR) control, smooth bore copper outlet pipe with open bore flow insert, copper tails, programmable temperatures, run time, automated blend duty flush and cold flush, thermal disinfection, integral 12 month data log and optional connection to building network systems.

- Non Touch IR flow control
- Brass valve engine (no plastics)
- Integral smooth bore copper outlet pipe
- Open bore flow insert, removable for easy cleaning
- Copper inlet tails
- High internal valve flow velocity
- Air tested at factory
- Programmable duty flushing / Thermal disinfection
- Integral 12 month data log
- Networkable using modbus RTU over RS485
- HTM04-01 Compliant
- HBN00-10 Compliant (TP6 substitute / exceeds requirements of TPP1)
- TMV3 Approved

PRODUCT INFORMATION

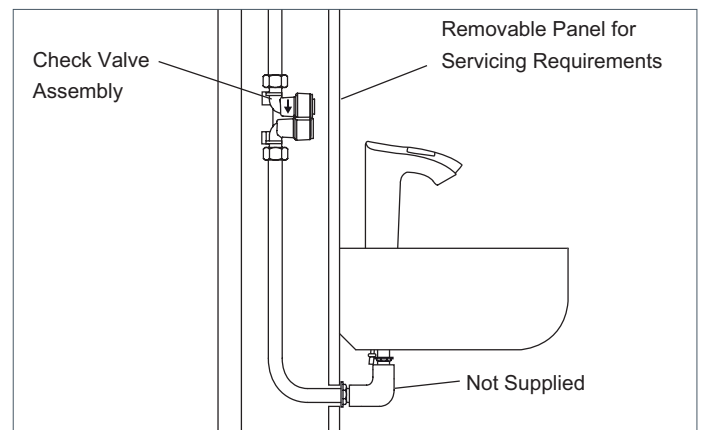
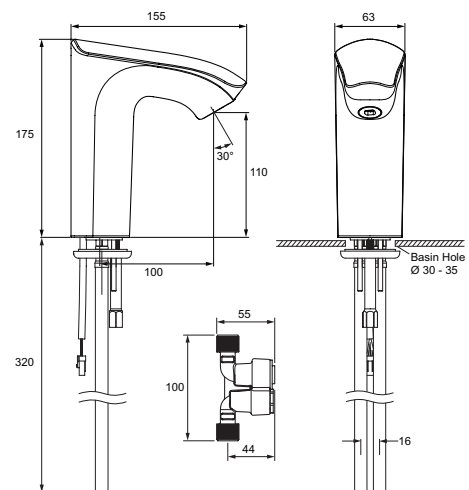
PRODUCT CODE

72941-CP

WEB

www.radacontrols.com/mx120ncuk

DIMENSIONS (MM) & INSTALLATION





RADA MX1 40CUK

PRODUCT IMAGE



DESCRIPTION

Intelligent thermostatic high basin tap with non-touch flow (IR) and temperature (capacitive) controls, smooth bore copper outlet pipe with open bore flow insert, copper tails, programmable temperatures, run time, automated blend duty flush and cold flush, thermal disinfection, integral 12 month data log and optional connection to building network systems.

- Non Touch IR flow control
- Non Touch capacitive temperature control
- Brass valve engine (no plastics)
- Integral smooth bore copper outlet pipe
- Open bore flow insert, removable for easy cleaning
- Copper inlet tails
- High internal valve flow velocity
- Air tested at factory
- Programmable duty flushing / Thermal disinfection
- Integral 12 month data log
- Networkable using modbus RTU over RS485
- HTM04-01 Compliant
- HBN00-10 Compliant (TP6 substitute / exceeds requirements of TPP1)
- TMV3 Approved

PRODUCT INFORMATION

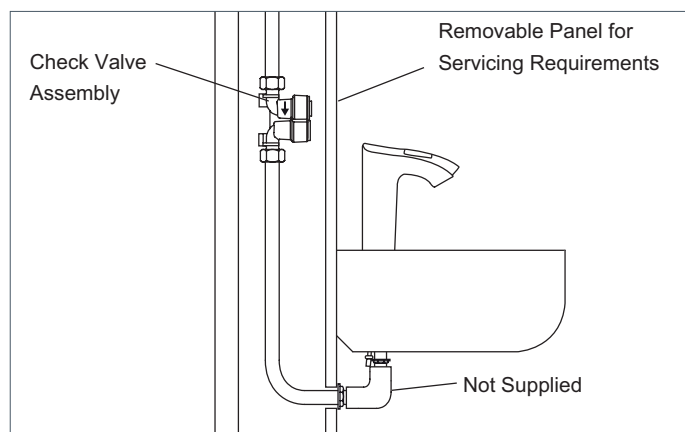
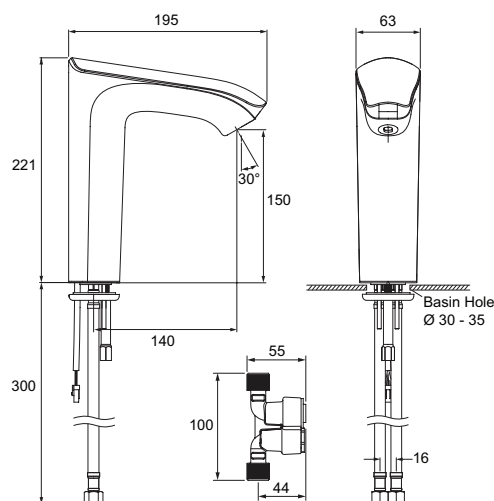
PRODUCT CODE

74010-CP

WEB

www.radacontrols.com/en/products/all-products/rada-mx1-20ncuk-basin-tap/

DIMENSIONS (MM) & INSTALLATION





RADA MX1 60UK

PRODUCT IMAGE



DESCRIPTION

Intelligent thermostatic panel mount tap with non-touch flow (IR) and temperature (capacitive) controls, smooth bore copper outlet pipe with open bore flow insert, check valve/filter unit, programmable temperatures, run time, automated blend duty flush and cold flush, thermal disinfection, integral 12 month data log and optional connection to building network systems.

- Non Touch IR flow control
- Non Touch capacitive temperature control
- Brass valve engine (no plastics)
- Integral smooth bore copper outlet pipe
- Open bore flow insert, removable for easy cleaning
- High internal valve flow velocity
- Air tested at factory
- Programmable duty flushing / Thermal disinfection
- Integral 12 month data log
- Networkable using modbus RTU over RS485
- HTM04-01 Compliant
- HBN00-10 Compliant (TB H6)
- TMV3 Approved

PRODUCT INFORMATION

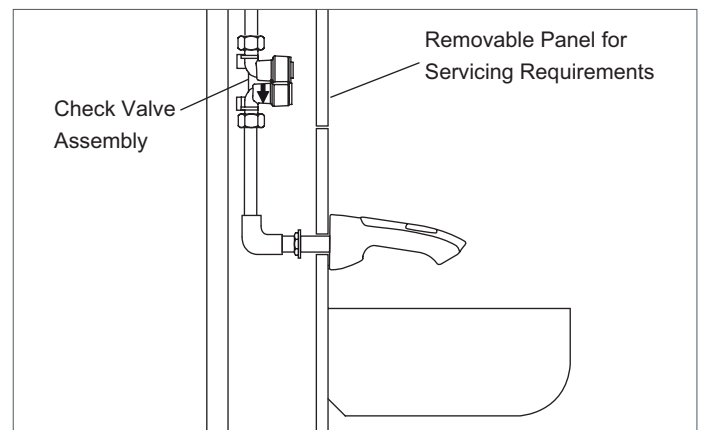
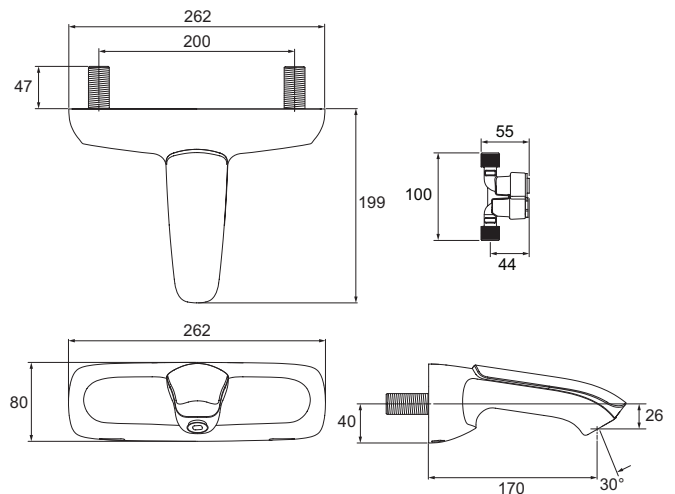
PRODUCT CODE

72946-CP

WEB

www.radacontrols.com/en/products/all-products/rada-mx1-60uk-panel-mount-tap/

DIMENSIONS (MM) & INSTALLATION





RADA MX1 60NUK

PRODUCT IMAGE



DESCRIPTION

Intelligent thermostatic panel mount tap with non-touch flow (IR) control, smooth bore copper outlet pipe with open bore flow insert, check valve/filter unit, programmable temperatures, run time, automated blend duty flush and cold flush, thermal disinfection, integral 12 month data log and optional connection to building network systems.

- Non Touch IR flow control
- Brass valve engine (no plastics)
- Integral smooth bore copper outlet pipe
- Open bore flow insert, removable for easy cleaning
- High internal valve flow velocity
- Air tested at factory
- Programmable duty flushing / Thermal disinfection
- Integral 12 month data log
- Networkable using modbus RTU over RS485
- HTM04-01 Compliant
- HBN00-10 Compliant (TB H6)
- TMV3 Approved

PRODUCT INFORMATION

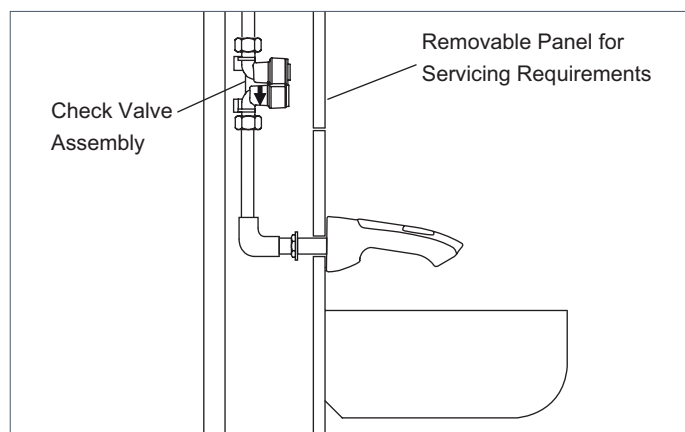
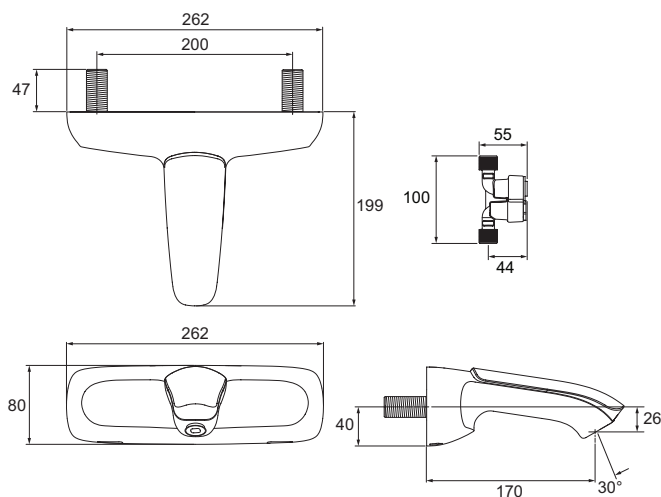
PRODUCT CODE

97390-CP

WEB

www.radacontrols.com/en/products/all-products/rada-mx1-60nuk-panel-mount-tap/

DIMENSIONS (MM) & INSTALLATION





RADA MX1 80UK

PRODUCT IMAGE



DESCRIPTION

Intelligent thermostatic panel mount tap with non-touch flow (IR) and temperature (capacitive) controls, smooth bore copper outlet pipe with open bore flow insert, check valve/filter unit, programmable temperatures, run time, automated blend duty flush and cold flush, thermal disinfection, integral 12 month data log and optional connection to building network systems.

- Non Touch IR flow control
- Non Touch capacitive temperature control
- Brass valve engine (no plastics)
- Integral smooth bore copper outlet pipe
- Open bore flow insert, removable for easy cleaning
- High internal valve flow velocity
- Air tested at factory
- Programmable duty flushing / Thermal disinfection
- Integral 12 month data log
- Networkable using modbus RTU over RS485
- HTM04-01 Compliant
- HBN00-10 Compliant (TB H6)
- TMV3 Approved

PRODUCT INFORMATION

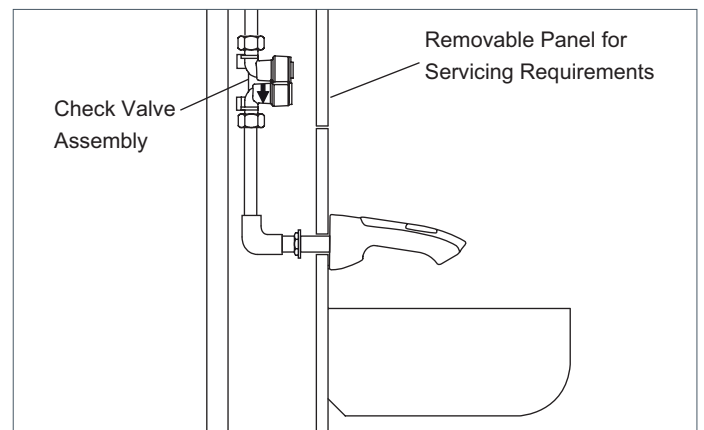
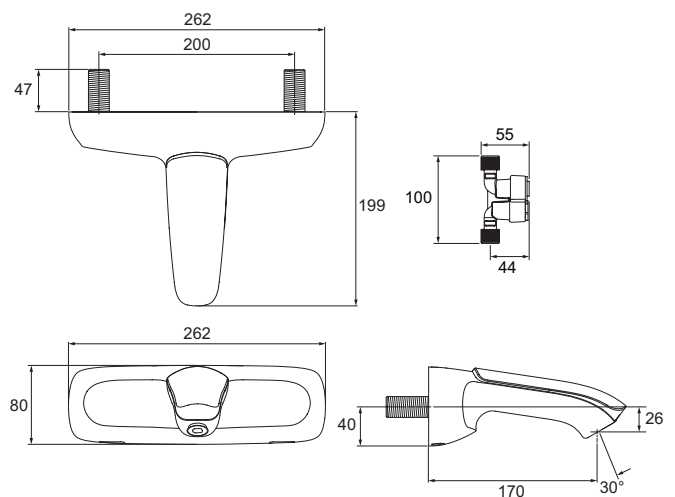
PRODUCT CODE

76670-CP

WEB

www.radacontrols.com/en/products/all-products/rada-mx1-80uk-panel-mount-tap/

DIMENSIONS (MM) & INSTALLATION





RADA MX1 80NUK

PRODUCT IMAGE



DESCRIPTION

Intelligent thermostatic panel mount tap with non-touch flow (IR) control, smooth bore copper outlet pipe with open bore flow insert, check valve/filter unit, programmable temperatures, run time, automated blend duty flush and cold flush, thermal disinfection, integral 12 month data log and optional connection to building network systems.

- Non Touch IR flow control
- Brass valve engine (no plastics)
- Integral smooth bore copper outlet pipe
- Open bore flow insert, removable for easy cleaning
- High internal valve flow velocity
- Air tested at factory
- Programmable duty flushing / Thermal disinfection
- Integral 12 month data log
- Networkable using modbus RTU over RS485
- HTM04-01 Compliant
- HBN00-10 Compliant (TB H6)
- TMV3 Approved

PRODUCT INFORMATION

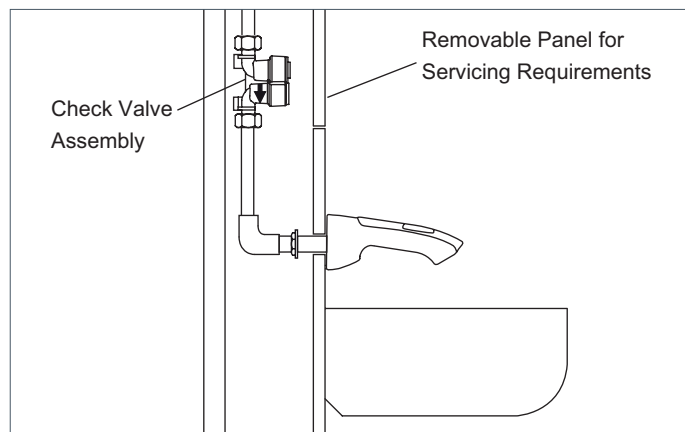
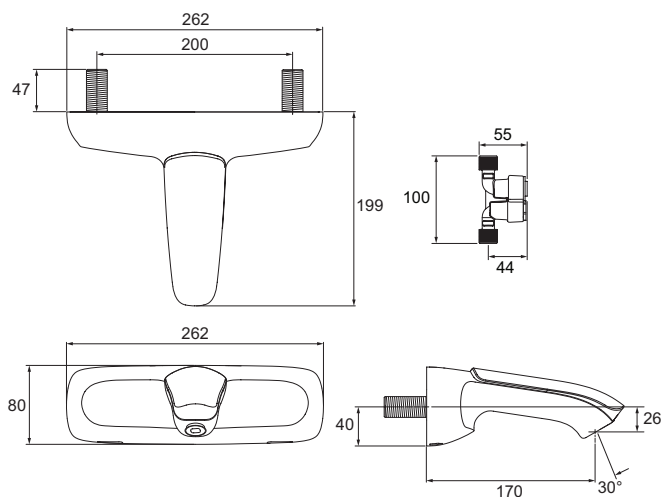
PRODUCT CODE

76676-CP

WEB

www.radacontrols.com/en/products/all-products/rada-mx1-80nuk-panel-mount-tap/

DIMENSIONS (MM) & INSTALLATION





RADA SAFETHERM THERMOSTATIC CLINICAL TAP

PRODUCT IMAGE



DESCRIPTION

TMV3 approved panel mounted, thermostatic mixer tap featuring Insutech+ technology. Long lever sequential operation, supplied complete with service-free cartridge, check valves, strainers and isolating ball valves.

- Buildcert TMV3 Scheme approved
- Compliant with UK Healthcare Guidelines
- Safe-to-touch. Features Insutech+ technology to reduce surface temperature to a safe level
- Innovative design minimises water retention in the body and spout, to contribute to improved bacterial control
- Sequential long lever control. Simple to use under hospital protocols.
- Easy access to filters to support routine servicing and reduced down time

PRODUCT INFORMATION

PRODUCT CODE

1.1704.001

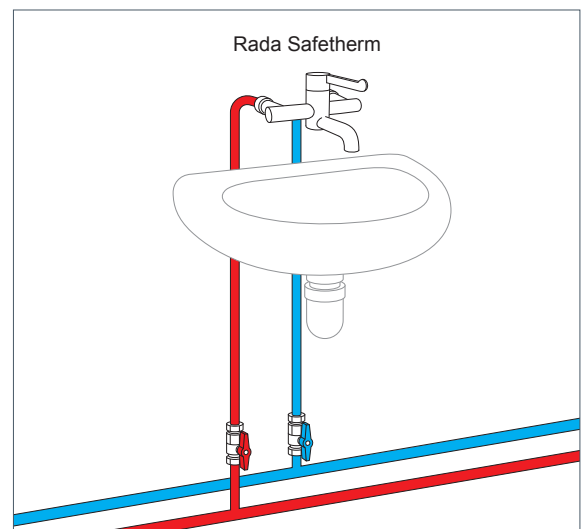
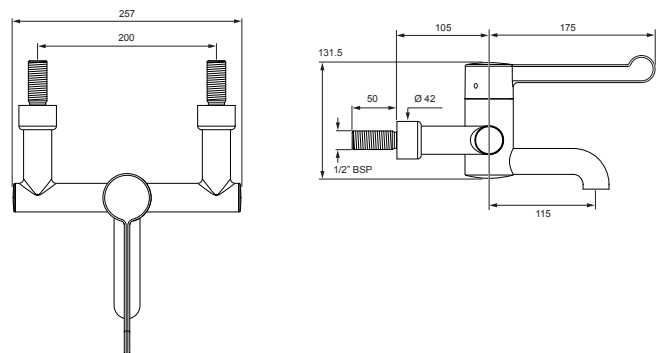
WEB

www.radacontrols.com/en/products/all-products/rada-safetherm/

COMPLIMENTARY PRODUCTS

n/a

DIMENSIONS (MM) & INSTALLATION





RADA SAFETHERM BASIN MOUNT THERMOSTATIC CLINICAL TAP

PRODUCT IMAGE



DESCRIPTION

TMV3 approved basin mounted, thermostatic mixer tap featuring Insutech+ technology. Long lever sequential operation, supplied complete with service-free cartridge, check valves, strainers and isolating ball valves.

- Buildcert TMV3 Scheme approved
- Compliant with UK Healthcare Guidelines
- Safe-to-touch. Features Insutech+ technology to reduce surface temperature to a safe level
- Innovative design minimises water retention in the body and spout, to contribute to improved bacterial control
- Sequential long lever control. Simple to use under hospital protocols.
- Easy access to filters to support routine servicing and reduced down time

PRODUCT INFORMATION

PRODUCT CODE

1.1704.002

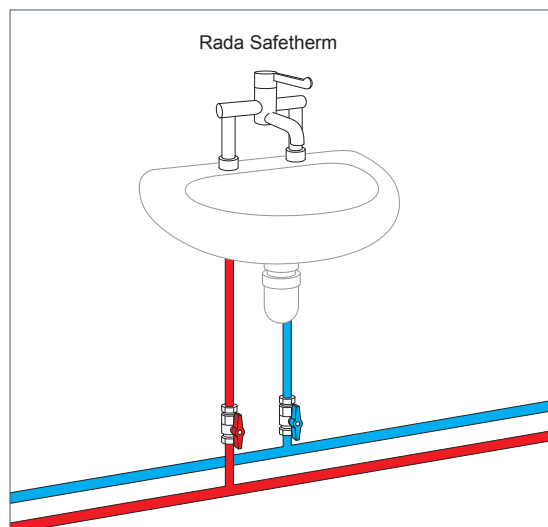
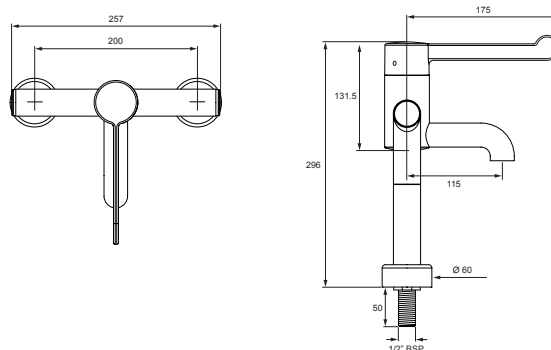
WEB

www.radacontrols.com/en/products/all-products/rada-safetherm-basin-mount/

COMPLIMENTARY PRODUCTS

n/a

DIMENSIONS (MM) & INSTALLATION





RADA THERMOTAP-3S

PRODUCT IMAGE



DESCRIPTION

Basin mounted thermostatic mixing tap with short lever control (100 mm), offering single sequential lever control from cold through to pre-settable maximum temperature. Supplied complete with flexible supply tails, check valves, isolators and strainers.

- Also available with copper supply tails (1.1555.061)
- Buildcert TMV3 Scheme Approved
- Single sequential lever operation – simple to use
- 100mm lever
- Check valves, strainers and isolators included, with a choice of either flexible or copper tail connections
- Connections: (Inlets) 15mm or 1/2" BSP male and either 10mm flexible hoses or 10mm copper tails

PRODUCT INFORMATION

PRODUCT CODE

1.1555.010
with copper tails - 1.1555.061

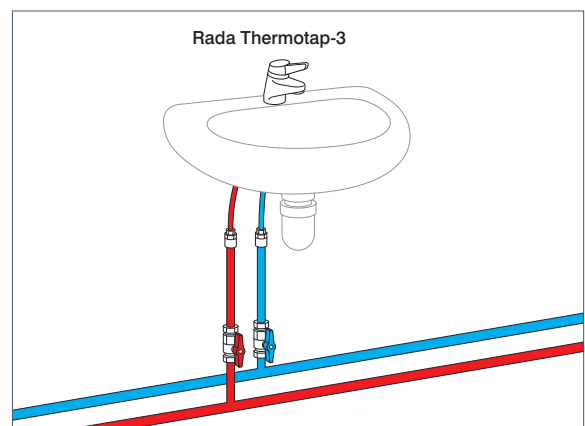
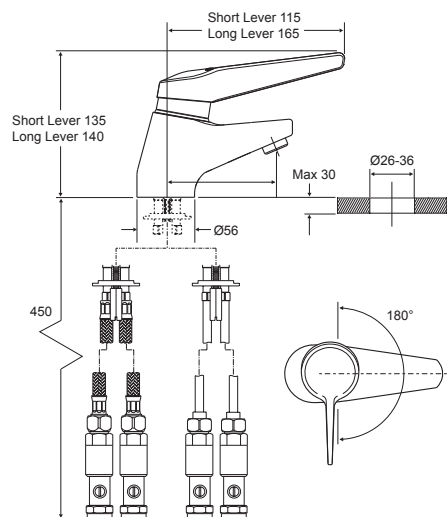
WEB

www.radacontrols.com/en/products/all-products/rada-thermotap-3s-thermostatic-mixing-tap/

COMPLIMENTARY PRODUCTS

n/a

DIMENSIONS (MM) & INSTALLATION





RADA THERMOTAP-3L

PRODUCT IMAGE



DESCRIPTION

Basin mounted thermostatic mixing tap with long lever control (150 mm), offering single sequential lever control from cold through to pre-settable maximum temperature. Supplied complete with flexible supply tails, check valves, isolators and strainers.

- Also available with copper supply tails (1.1555.062)
- Buildcert TMV3 Scheme Approved
- Single sequential lever operation – simple to use
- 150mm lever for less-abled use
- Check valves, strainers and isolators included, with a choice of either flexible or copper tail connections
- Connections: (Inlets) 15mm or ½" BSP male and either 10mm flexible hoses or 10mm copper tails

PRODUCT INFORMATION

PRODUCT CODE

1.1555.011
with copper tails - 1.1555.062

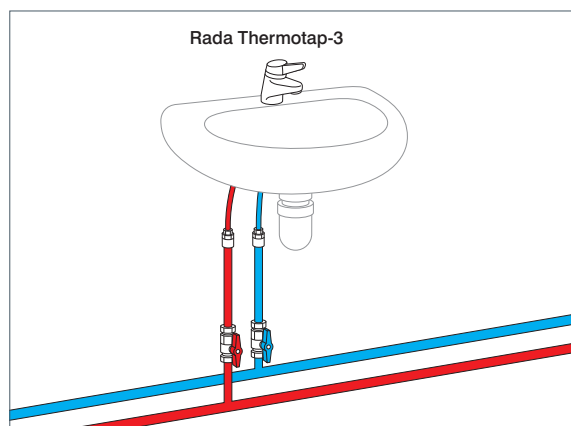
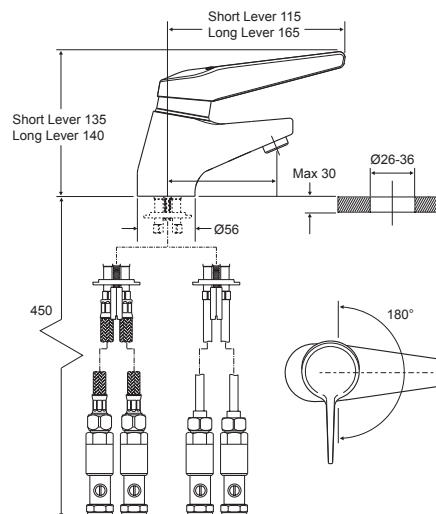
WEB

www.radacontrols.com/en/products/all-products/rada-thermotap-3l-thermostatic-mixing-tap/

COMPLIMENTARY PRODUCTS

n/a

DIMENSIONS (MM) & INSTALLATION





RADA 215-T3 DK

PRODUCT IMAGE



DESCRIPTION

1/2" thermostatic mixing valve incorporating Radatherm service-free cartridge, check valves and strainers. Supplied with 1/2" flat faced union connectors terminating in 15 mm compression connections.

- Buildcert TMV3 Scheme Approved
- Suitable for 'under-basin' or duct installation
- Features the unique patented 'Radatherm' service-free cartridge
- Complete with check valves and strainers
- Tamperproof temperature setting (locked cap)
- Connections: (Inlets & Outlet) 1/2" flat-faced male union. Note: 2 elbows and 1 straight union connector are supplied, terminating in 15mm compression connections

PRODUCT INFORMATION

PRODUCT CODE

1.0.407.06.3

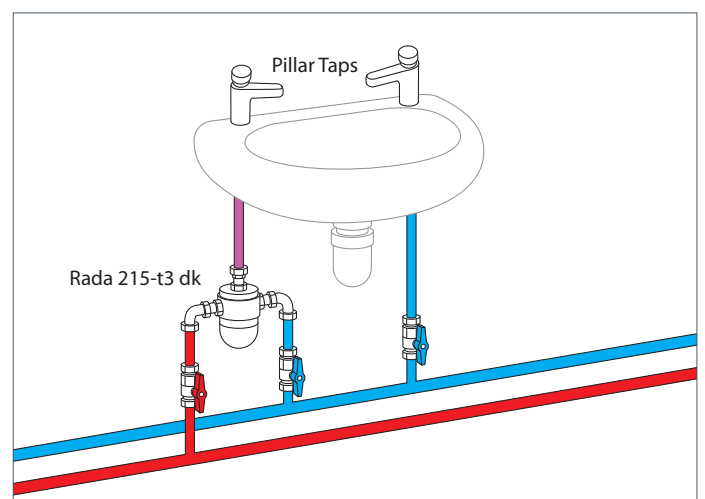
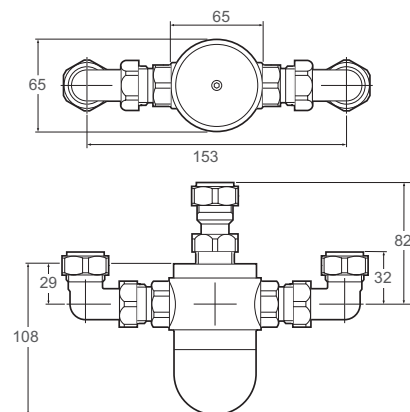
WEB

www.radacontrols.com/en/products/all-products/rada-215-t3-dk-thermostatic-mixing-valve/

COMPLIMENTARY PRODUCTS

Rada Timed Flow Taps
Rada Pulse Range
Rada Basin Spouts

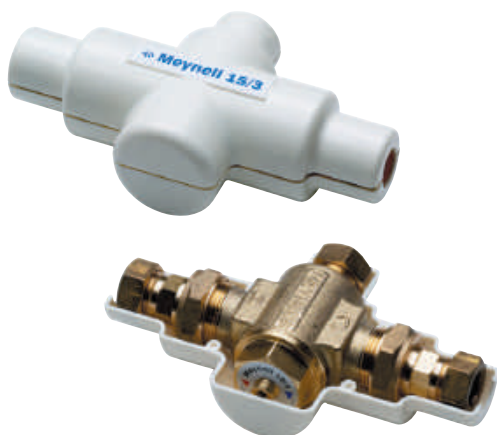
DIMENSIONS (MM) & INSTALLATION





RADA MEYNELL 15/3

PRODUCT IMAGE



DESCRIPTION

½" point of use thermostatic mixing valve. Supplied complete with white plastic outer casing and integral check valves and strainers.

- Buildcert TMV3 Scheme Approved
- Suitable for 'under-basin' or duct installation
- Supplied in white easy-clean casing
- Complete with integral check valves and strainers
- Connections: (Inlets and Outlet) 15mm compression

PRODUCT INFORMATION

PRODUCT CODE

PESM0620J

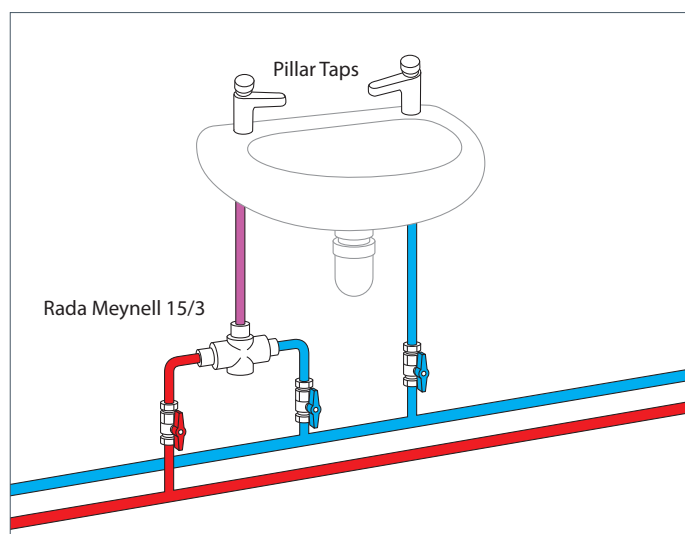
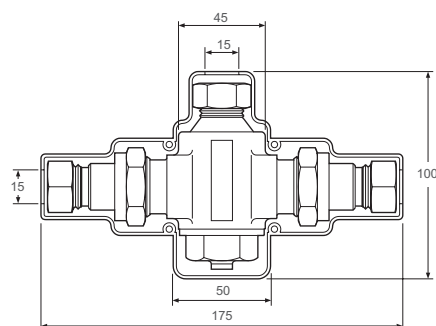
WEB

www.radacontrols.com/en/products/all-products/rada-meynell-153-thermostatic-mixing-valve/

COMPLIMENTARY PRODUCTS

Rada Timed Flow Taps
Rada Pulse Range
Rada Basin Spouts

DIMENSIONS (MM) & INSTALLATION





RADA T1 100 TIMED FLOW PILLAR TAP

- HOT/COLD

PRODUCT IMAGE



PRODUCT INFORMATION

PRODUCT CODE

2.1762.056

WEB

www.radacontrols.com/en/products/all-products/rada-t1-100-timed-flow-pillar-tap-hot-or-cold/

COMPLIMENTARY PRODUCTS

Rada Meynell 15/3

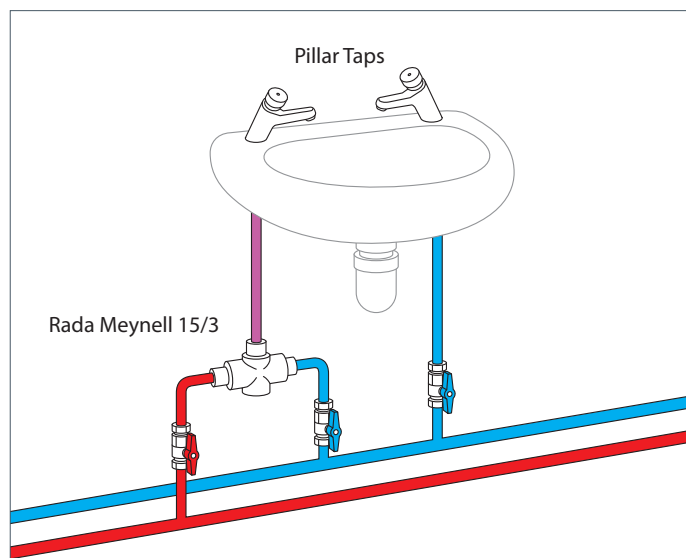
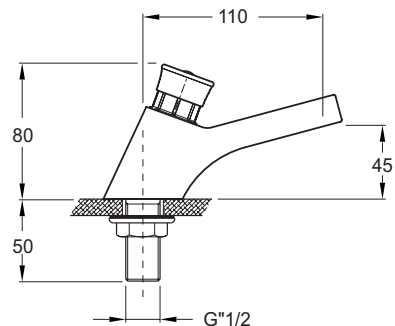
Rada 215-t3dk

DESCRIPTION

Basin mounted push button tap with 12 (± 3) seconds time flow for use on basins or counter tops.

- Water saving
- Robust design
- Easy to service one piece cartridge
- Fits standard washbasins and tap holes
- Soft closing action
- Adjustable flow rate
- 1/2" BSP flat face inlet
- Red or blue temperature indicator included

DIMENSIONS (MM) & INSTALLATION





RADA T1 140 TIMED FLOW BIB TAP

- HOT/COLD

PRODUCT IMAGE



PRODUCT INFORMATION

PRODUCT CODE

2.1762.057

WEB

www.radacontrols.com/en/products/all-products/rada-t1-140-timed-flow-bib-tap-hot-or-cold/

COMPLIMENTARY PRODUCTS

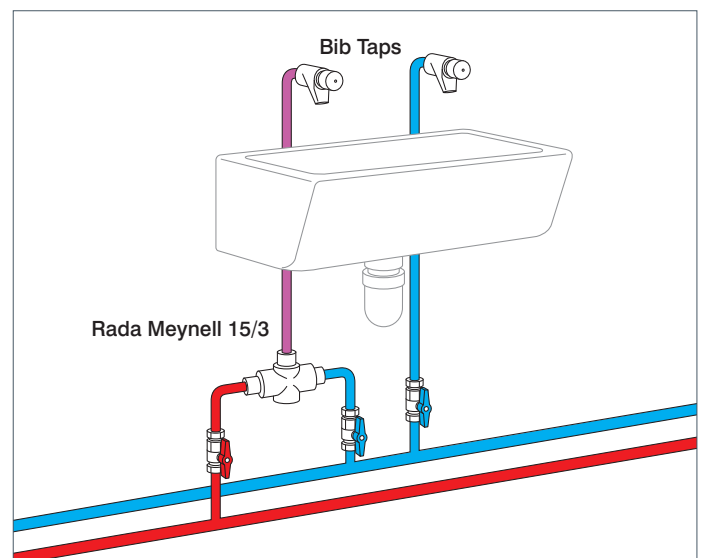
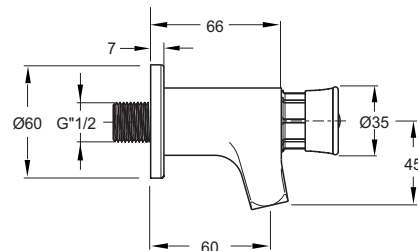
Rada Meynell 15/3
Rada 215-t3dk

DESCRIPTION

Wall mounted push button flow control tap with 12 (± 3) seconds time flow.

- Water saving
- Robust design
- Easy to service one piece cartridge
- Soft closing action
- Adjustable flow rate
- 1/2" BSP flat face inlet
- Red or blue temperature indicator included

DIMENSIONS (MM) & INSTALLATION





RADA T1 145 TIMED FLOW BIB TAP - EXTENDED - HOT/COLD

PRODUCT IMAGE



PRODUCT INFORMATION

PRODUCT CODE

2.1762.058

WEB

www.radacontrols.com/en/products/all-products/rada-t1-145-timed-flow-bib-tap-extended-hot-or-cold/

COMPLIMENTARY PRODUCTS

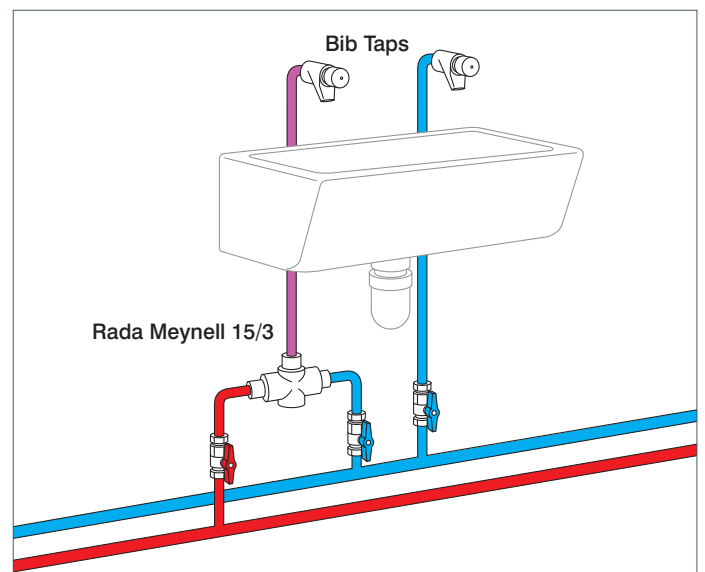
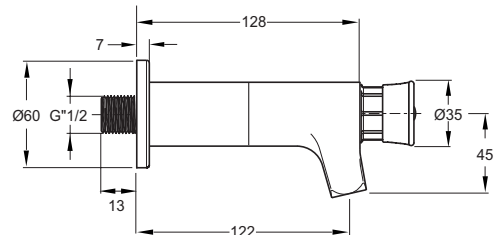
Rada Meynell 15/3
Rada 215-t3dk

DESCRIPTION

Extended wall mounted push button flow control tap with 12 (± 3) seconds time flow.

- Water saving
- Robust design
- Easy to service one piece cartridge
- Soft closing action
- Adjustable flow rate
- 1/2" BSP flat face inlet
- Red or blue temperature indicator included

DIMENSIONS (MM) & INSTALLATION





RADA T2 100 TIMED FLOW PILLAR TAP

- HOT & COLD

PRODUCT IMAGE



DESCRIPTION

Basin mounted push button tap with 12 (± 3) seconds time flow for use on basins or counter tops.

- Water saving
- Aesthetic robust design
- Easy to service one piece cartridge
- Fits standard washbasins and tap hole
- Soft closing action
- Adjustable flow rate
- 1/2" BSP flat face inlet

PRODUCT INFORMATION

PRODUCT CODE

hot - 2.1762.064
cold - 2.1762.065

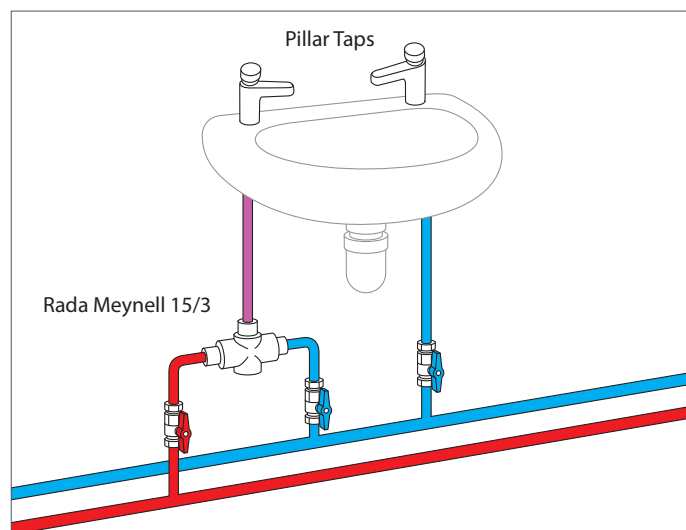
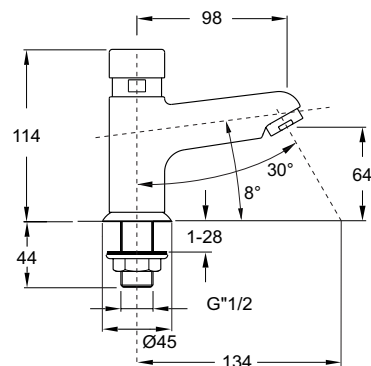
WEB

www.radacontrols.com/en/products/all-products/rada-t2-100-timed-flow-pillar-tap

COMPLIMENTARY PRODUCTS

Rada Meynell 15/3
Rada 215-t3dk

DIMENSIONS (MM) & INSTALLATION





RADA T4 120 TIMED FLOW MIXER TAP

PRODUCT IMAGE



PRODUCT INFORMATION

PRODUCT CODE

2.1762.082

WEB

www.radacontrols.com/en/products/all-products/rada-t4-120-timed-flow-mixer-tap/

COMPLIMENTARY PRODUCTS

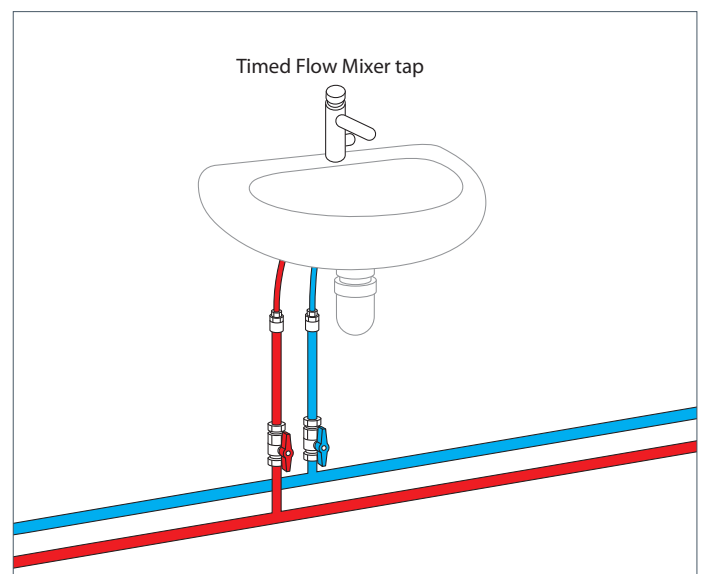
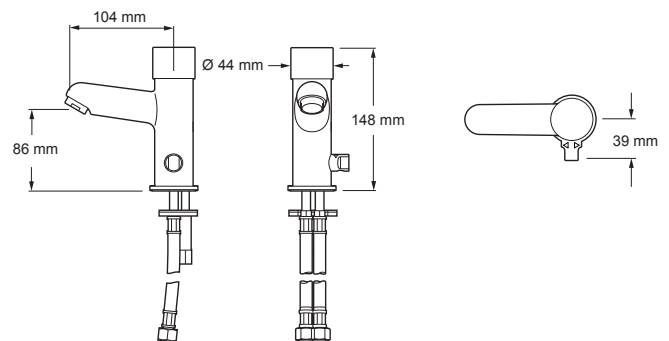
n/a

DESCRIPTION

Contemporary deck/basin mounted push button mixer tap with adjustable flow rate and duration (5 - 20 seconds) for use on basins or counter tops.

- Easily adjustable flow and time.
- Water saving
- Aesthetic robust design
- Easy to service one piece cartridge
- Fits standard washbasin and tap holes
- Soft closing action
- ½" BSP flat face inlet

DIMENSIONS (MM) & INSTALLATION





RADA T4 125 TIMED FLOW MIXER TAP

PRODUCT IMAGE



PRODUCT INFORMATION

PRODUCT CODE

2.1762.079

WEB

www.radacontrols.com/en/products/all-products/rada-t4-125-timed-flow-mixer-tap/

COMPLIMENTARY PRODUCTS

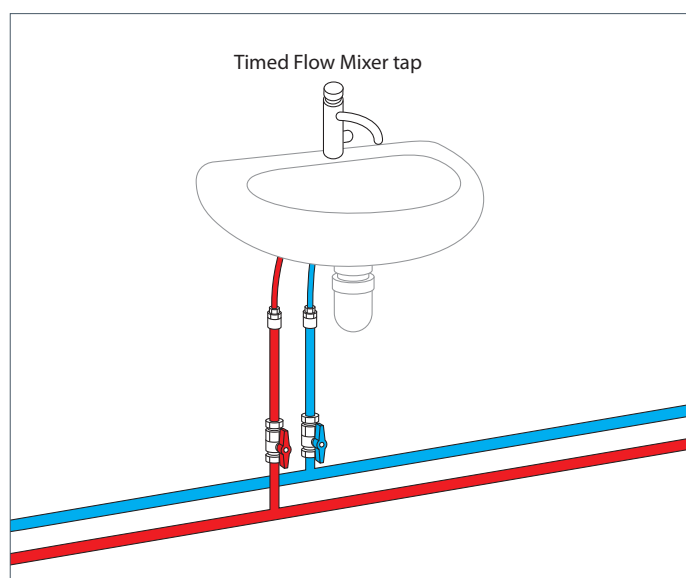
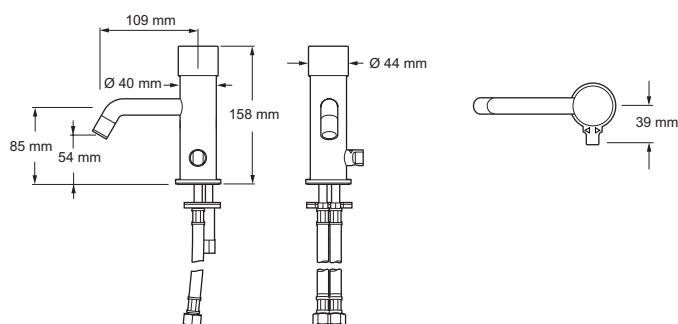
n/a

DESCRIPTION

Contemporary deck/basin mounted push button tap with adjustable flow rate and duration (5 - 20 seconds) for use on basins or counter tops.

- Easily adjustable flow and time.
- Water saving
- Aesthetic robust design
- Easy to service one piece cartridge
- Fits standard washbasin and tap holes
- Soft closing action
- ½" BSP flat face inlet

DIMENSIONS (MM) & INSTALLATION





RADA TL 100 LEVER OPERATED TIMED FLOW PILLAR TAP

PRODUCT IMAGE



DESCRIPTION

Lever operated basin mounted tap with 12 (± 3) second time flow for use on basins or counter tops.

- Water saving
- Robust design
- Easy to service one piece cartridge
- Fits standard washbasins and tap holes
- Soft closing action
- Adjustable flow rate
- 1/2" BSP flat face inlet

PRODUCT INFORMATION

PRODUCT CODE

2.1762.085

WEB

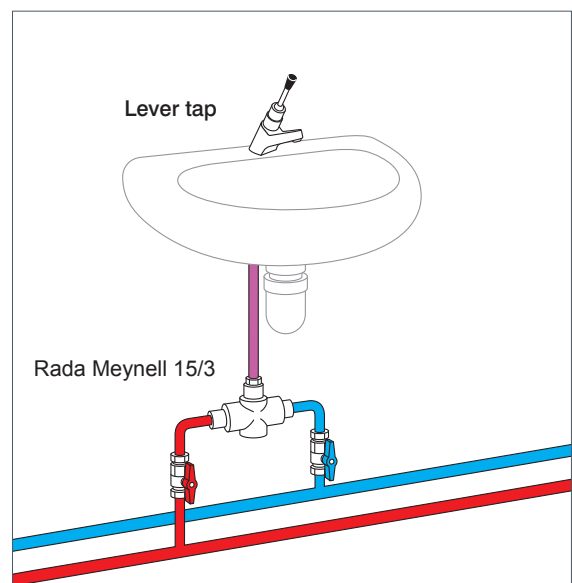
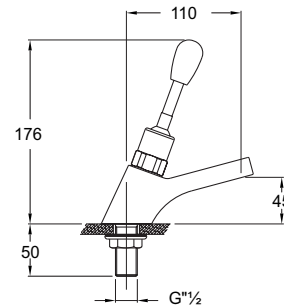
www.radacontrols.com/en/products/all-products/rada-tl-100-lever-operated-timed-flow-pillar-tap/

COMPLIMENTARY PRODUCTS

Rada Meynell 15/3

Rada 215-t3dk

DIMENSIONS (MM) & INSTALLATION





RADA TL 195 KNEE OPERATED TIMED FLOW VALVE

PRODUCT IMAGE



PRODUCT INFORMATION

PRODUCT CODE

2.1762.094

WEB

www.radacontrols.com/en/products/all-products/rada-tl-195-knee-operated-timed-flow-valve/

COMPLIMENTARY PRODUCTS

Rada Meynell 15/3

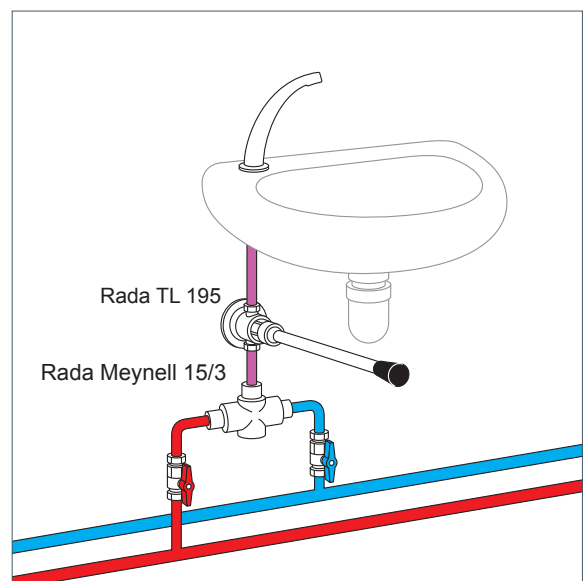
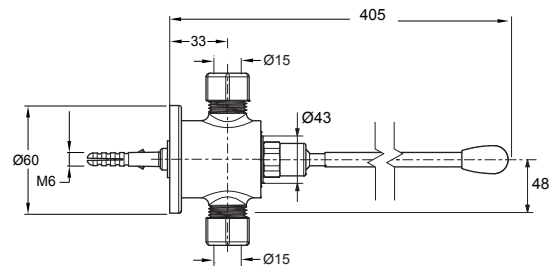
Rada 215-t3dk

DESCRIPTION

Knee operated time flow control for use under basins where there is a requirement to avoid hand control with 12 (± 3) second time flow.

- Water saving
- Robust design
- Easy one piece cartridge for servicing
- Soft closing action
- Adjustable flow rate
- 15mm compression connections

DIMENSIONS (MM) & INSTALLATION





RADA TRIPPOINT-F™

PRODUCT IMAGE



DESCRIPTION

Non-touch basin tap with a temperature adjustment control (as a factory default). Battery operated 6V. Flow controller (6 l/min) enables low water consumption (0.51 l/instance of use).

- Non-touch activated basin tap
- 3-in-1 product: can be installed with pre-mixed supply, or with hot and cold supply - with or without temperature adjustment (non-thermostatic)
- Factory preset: no adjustments needed after installation
- Battery operated: no need for an electrician
- On-line filters and self cleaning diaphragm
- Commercial aerator/straightener - vandal resistant for longlasting use
- Connections: 1/2" BSP

PRODUCT INFORMATION

PRODUCT CODE

2.1658.011

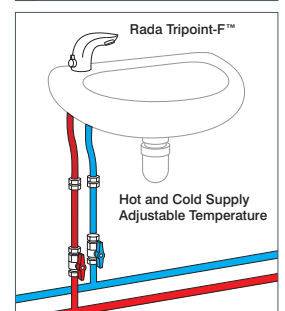
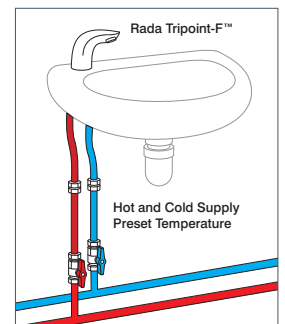
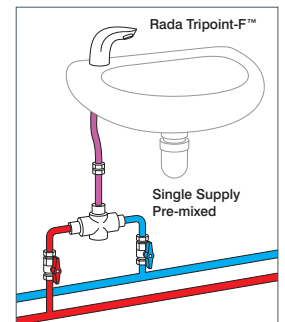
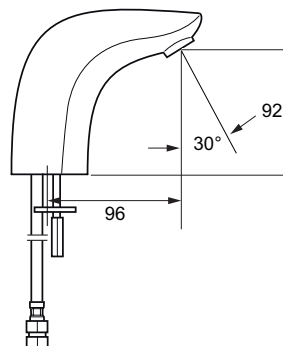
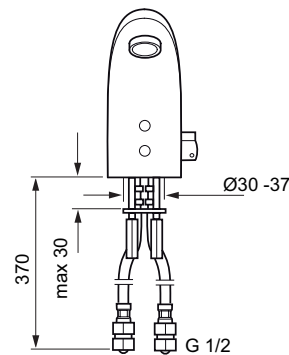
WEB

www.radacontrols.com/en/products/all-products/rada-tripoint-f/

COMPLIMENTARY PRODUCTS

Rada Meynell 15/3
Rada 215-t3dk

DIMENSIONS (MM) & INSTALLATION





RADA SP WD100 DECK MOUNTED BASIN SPOUT - LOW

PRODUCT IMAGE



DESCRIPTION

A deck mounted basin spout with 100mm throw supplied complete with 5 l/min flow regulator (optional flow straightener also supplied).

- Durable polished chrome finish
- Easy to install

PRODUCT INFORMATION

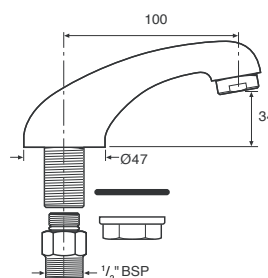
PRODUCT CODE

1.1503.726

WEB

www.radacontrols.com/en/products/all-products/rada-sp-wd100-deck-mounted-basin-spout-low/

DIMENSIONS (MM)



RADA SP W150 WALL MOUNTED BASIN SPOUT

PRODUCT IMAGE



DESCRIPTION

A wall mounted basin spout with 150mm throw supplied complete with 5 l/min flow regulator (optional flow straightener also supplied).

- Durable polished chrome finish
- Easy to install

PRODUCT INFORMATION

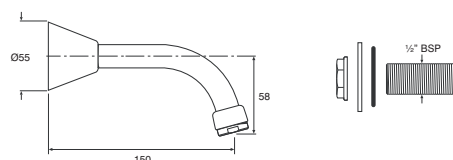
PRODUCT CODE

1.1503.729

WEB

www.radacontrols.com/en/products/all-products/rada-sp-t150-wall-mounted-bath-spout-short/

DIMENSIONS (MM)





RADA SP W190 WALL MOUNTED BASIN SPOUT - LONG

PRODUCT IMAGE



DESCRIPTION

A wall mounted basin spout with 190mm throw supplied complete with 5 l/min flow regulator (optional flow straightener also supplied).

- Durable polished chrome finish
- Easy to install

PRODUCT INFORMATION

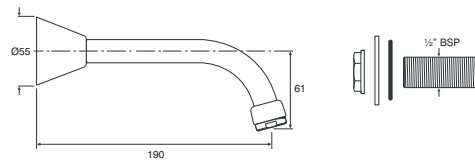
PRODUCT CODE

1.1503.730

WEB

www.radacontrols.com/en/products/all-products/rada-sp-w190-wall-mounted-basin-spout-long/

DIMENSIONS (MM)





RADA TD7 PRE-MIXED WASHBASIN SENSOR TAP

PRODUCT IMAGE



PRODUCT INFORMATION

PRODUCT CODE

MAINS: 2.1942.008

BATTERY: 2.1942.009

WEB

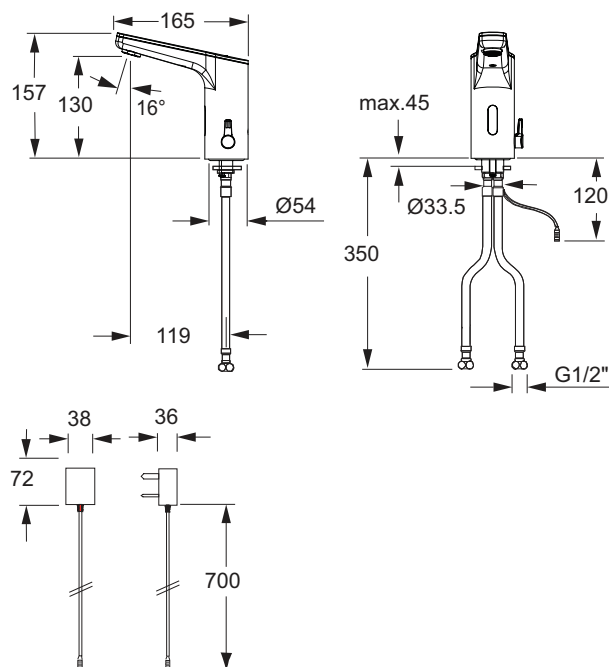
www.radacontrols.com/en/products/all-products/rada-md7-washbasin-sensor-tap/

DESCRIPTION

This no touch electronic sensor tap can be used with a power supply or with a 6V lithium battery, for pre-mixed water.

- Touch-free, electronically controlled IR sensor washbasin tap
- For cold or pre-mixed water
- Power supply or battery for flexibility
- Integral solenoid – neat and easy to install
- A programmable smart duty flush function, activated via the tap's IR-touch field
- Reliable magnetic valve and 3.8 lpm economy aerator
- Modular two-piece construction
- Temporary-off function for cleaning, activated using the infrared-touch field
- Built in water supply connection with flexible high-pressure hoses and filters
- Dual infrared sensors with electronic automatic setting feature

DIMENSIONS (MM) & INSTALLATION





RADA MD7 MIXER WASHBASIN SENSOR TAP

PRODUCT IMAGE



PRODUCT INFORMATION

PRODUCT CODE

MAINS: 2.1942.010
BATTERY: 2.1942.011

WEB

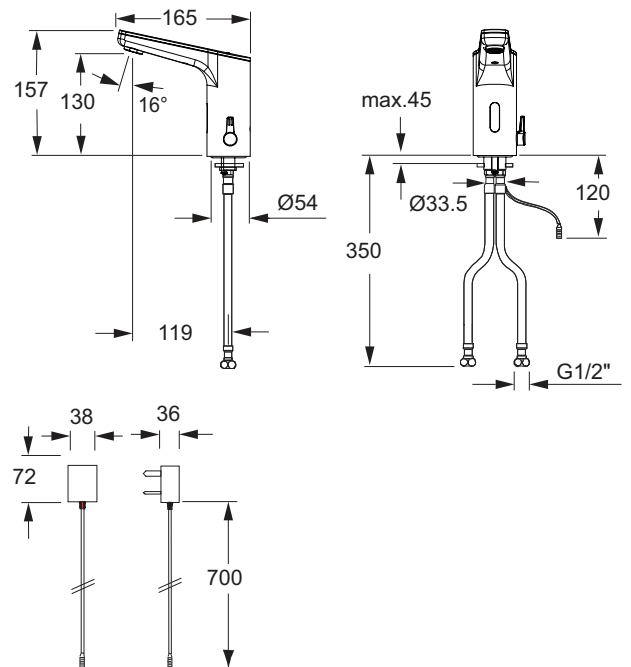
www.radacontrols.com/en/products/all-products/rada-md7-washbasin-sensor-tap/

DESCRIPTION

This no touch electronic sensor tap can be used with a power supply or with a 6V lithium battery, with temperature mixing (non thermostatic).

- Touch-free, electronically controlled IR sensor washbasin tap
- With temperature mixing (non-thermostatic)
- Power supply or battery for flexibility
- Integral solenoid – neat and easy to install
- A programmable smart duty flush function, activated via the tap's IR-touch field
- Modular two-piece construction
- Reliable magnetic valve and 3.8 lpm economy aerator
- Temporary-off function for cleaning, activated using the infrared-touch field
- Built in water supply connection with flexible high-pressure hoses and filters
- Dual infrared sensors with electronic automatic setting feature

DIMENSIONS (MM) & INSTALLATION





RADA FE9 URINAL FLUSHPLATE AND URINAL FLUSH INSTALLATION BOX

PRODUCT IMAGE



PRODUCT INFORMATION

PRODUCT CODE

FLUSHPLATES: 2.1942.005 & 2.1942.006
INSTALLATION BOX: 2.1942.007

WEB

www.radacontrols.com/en/products/all-products/rada-fe9-urinal-flush-plate/

DESCRIPTION

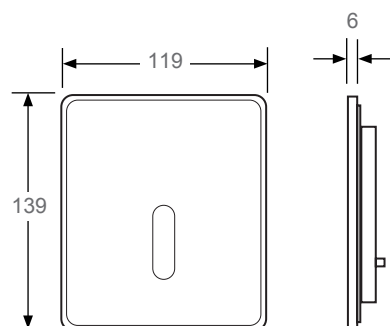
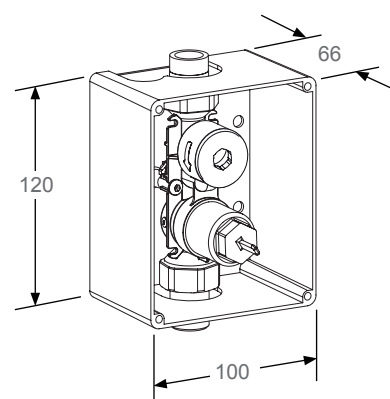
Flush Urinal Flushplate - Each urinal bowl to be served by one FE9 40M Mains or FE9 40B Battery Urinal Flushplate wall mounted flushing control.

- Robust brushed stainless-steel
- Power supply or battery for flexibility
- Dual infrared sensors with automatic setting feature
- Programmable flush time
- Programmable smart duty flush and pre-rinse activated via the IR touch field
- Reliable solenoid valve
- Temporary-off function for cleaning, activated using the IR touch field
- Requires urinal installation box

Flush Urinal Box - Each urinal bowl to be served by one FE9 40X Urinal Flush Installation Box. 66100120.

- Concealed housing
- Easy clean filter
- Valve body with stop valve and installation flushing connector
- Solid wall or panel mounting

DIMENSIONS (MM) & INSTALLATION





RADA 120 MONO-CONTROL SYSTEM FOR HAND WASHING OR SHOWERING

PRODUCT IMAGE



DESCRIPTION

Each outlet to be served by one Rada Mono-Control System MC120 wall mounted flow control. Complete with chrome plated concealed active infra-red sensor, control module and 1/2" solenoid valve with isolator and filter.

- Hygienic non-touch control
- Wall mounted sensor for 'non-touch' control of a single wash basin or shower
- Economy and flexibility – timing can be programmed to suit application
- All elements linked via safe extra low voltage supply (12V)

PRODUCT INFORMATION

PRODUCT CODE

1.1495.009

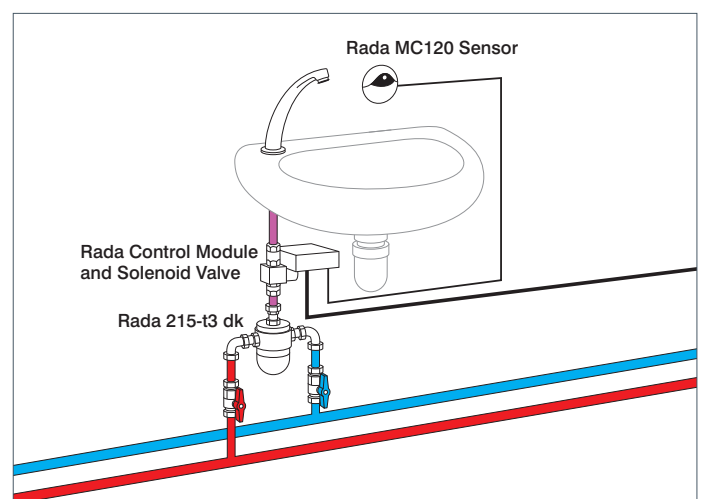
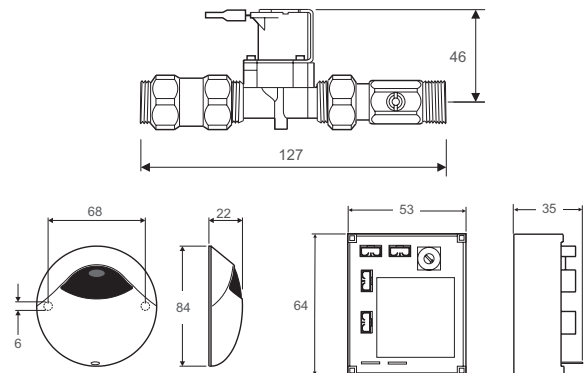
WEB

www.radacontrols.com/en/products/all-products/rada-120-mono-control-system/

COMPLIMENTARY PRODUCTS

Rada PT220 Transformer
Rada Universal Transformer
Rada Meynell 15/3
Rada 215-t3c
Rada VR Showerheads
Rada VR2 Showerheads
Rada SP W150
Rada SP WD100

DIMENSIONS (MM) & INSTALLATION





RADA 129 MONO-CONTROL SYSTEM FOR HAND WASHING OR SHOWERING

PRODUCT IMAGE



DESCRIPTION

Each outlet to be served by one Rada Mono-Control System MC129 wall mounted flow control. Complete with chrome plated active infra-red sensor, control module and 1/2" solenoid valve with isolator and filter.

- Hygienic non-touch control
- Wall mounted sensor for 'non-touch' control of a single wash basin or shower
- Chrome plated metal alloy sensor – for more robust applications
- Economy and flexibility – timing can be programmed to suit application
- All elements linked via safe extra low voltage supply (12V)

PRODUCT INFORMATION

PRODUCT CODE

1.1495.014

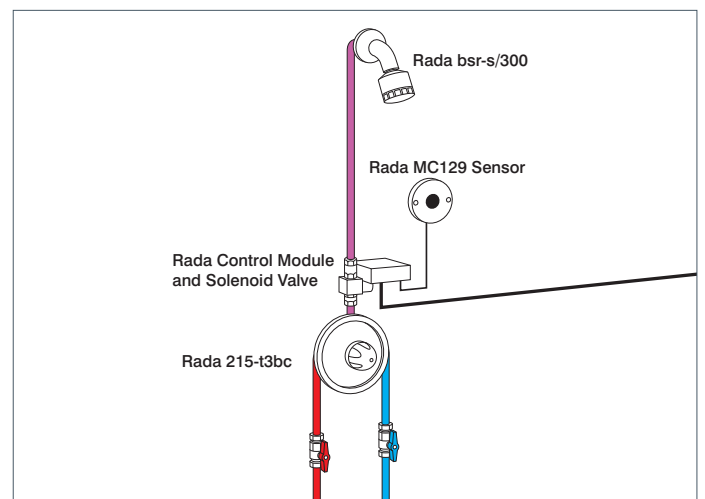
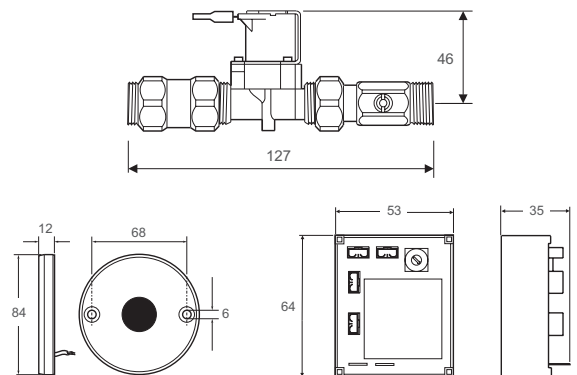
WEB

www.radacontrols.com/en/products/all-products/rada-129-mono-control-system/

COMPLIMENTARY PRODUCTS

Rada PT220 Transformer	Rada VR Showerheads
Rada Universal Transformer	Rada VR2 Showerheads
Rada Meynell 15/3 Mixing Valve	Rada SP W150
Rada 215-t3c Mixing Valve	Rada SP WD100
Rada bsr-s/300 Shower Fitting	

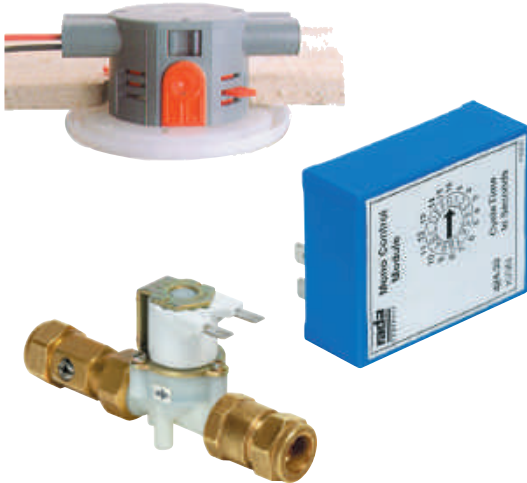
DIMENSIONS (MM) & INSTALLATION





RADA 124 MONO-CONTROL SYSTEM FOR HAND WASHING

PRODUCT IMAGE



DESCRIPTION

Each washbasin to be served by one Rada Mono-Control System MC124 ceiling mounted flow control. Complete with concealed passive infra-red sensor, control module and 1/2" solenoid valve with isolator and filter.

- Hygienic non-touch control
- Ceiling mounted sensor for 'non-touch' control of individual wash basins
- Economy and flexibility – timing can be programmed to suit application
- All elements linked via safe extra low voltage supply (12V)

PRODUCT INFORMATION

PRODUCT CODE

1.1495.011

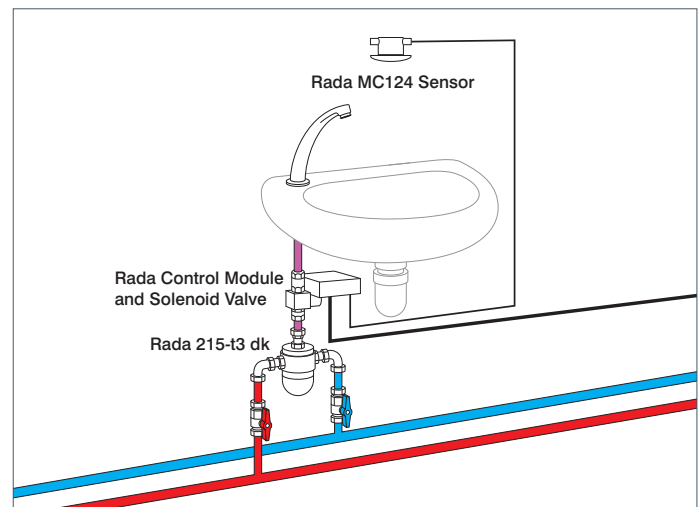
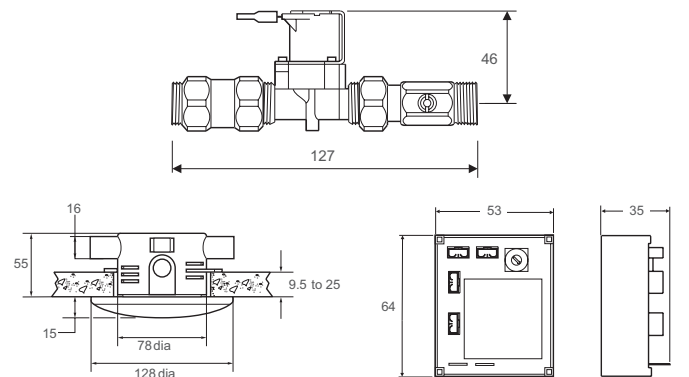
WEB

www.radacontrols.com/en/products/all-products/rada-124-mono-control-system/

COMPLIMENTARY PRODUCTS

Rada PT220 Transformer
Rada Universal Transformer
Rada SP W150
Rada SP WD100
Rada Meynell 15/3
Rada 215-T3 dk

DIMENSIONS (MM) & INSTALLATION





RADA 122 MONO-CONTROL SYSTEM FOR URINAL FLUSHING

PRODUCT IMAGE



PRODUCT INFORMATION

PRODUCT CODE

1.1495.010

WEB

www.radacontrols.com/en/products/all-products/rada-122-mono-control-system/

COMPLIMENTARY PRODUCTS

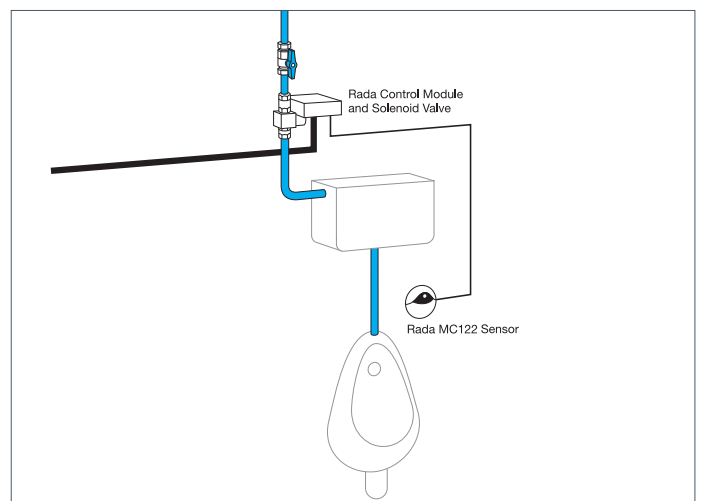
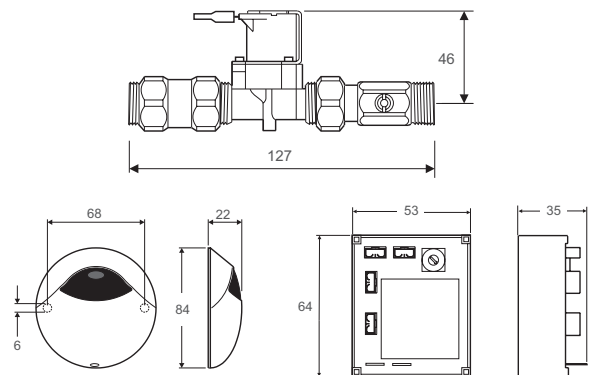
Rada PT220 Transformer
Rada Universal Transformer

DESCRIPTION

Each urinal bowl to be served by one Rada Mono-Control System MC122 wall mounted flushing control. Complete with active infra-red sensor, control module and ½" solenoid valve with isolator and filter.

- Hygienic non-touch control
- Wall mounted sensor for 'non-touch' control of a single urinal
- Programmable flush times provides flexibility and greater economy
- All elements linked via safe extra low voltage supply (12V)

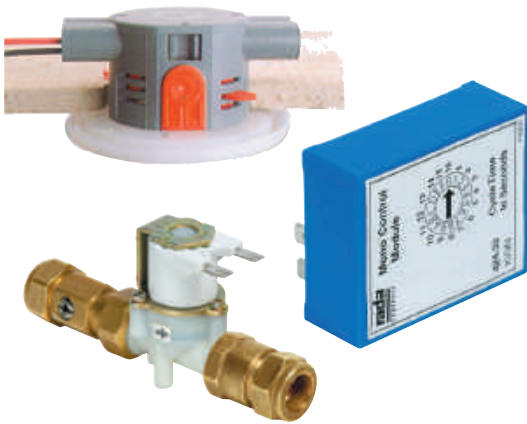
DIMENSIONS (MM) & INSTALLATION





RADA 125 MONO-CONTROL SYSTEM FOR URINAL FLUSHING

PRODUCT IMAGE



PRODUCT INFORMATION

PRODUCT CODE

1.1495.012

WEB

www.radacontrols.com/en/products/all-products/rada-125-mono-control-system/

COMPLIMENTARY PRODUCTS

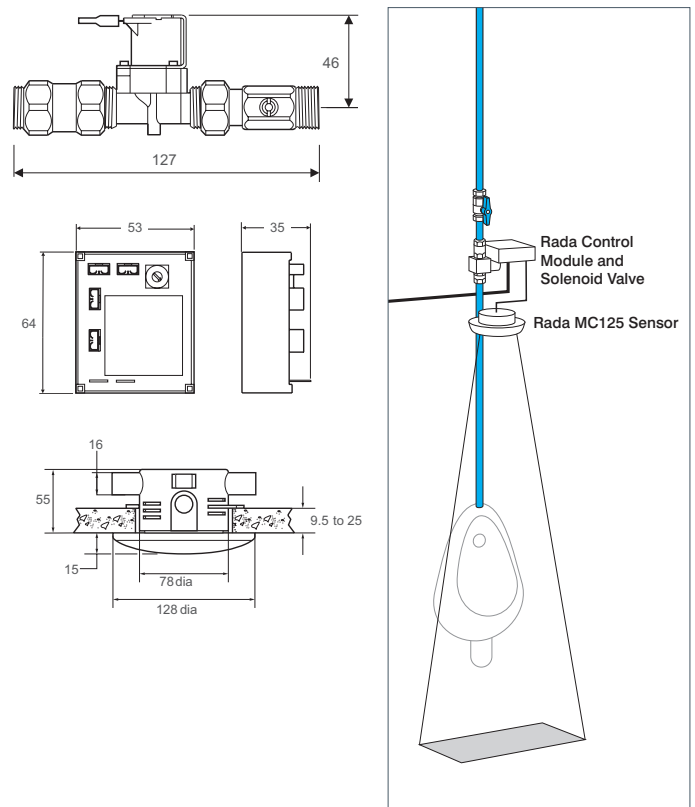
Rada PT220 Transformer
Rada Universal Transformer

DESCRIPTION

Each urinal bowl to be served by one Rada Mono-Control System MC125 ceiling mounted flow control. Complete with concealed passive infra-red sensor, control module and 1/2" solenoid valve with isolator and filter.

- Hygienic non-touch control
- Ceiling mounted sensor for 'non-touch' control of a single urinal
- Programmable flush times provides flexibility and greater economy
- All elements linked via safe extra low voltage supply (12V)

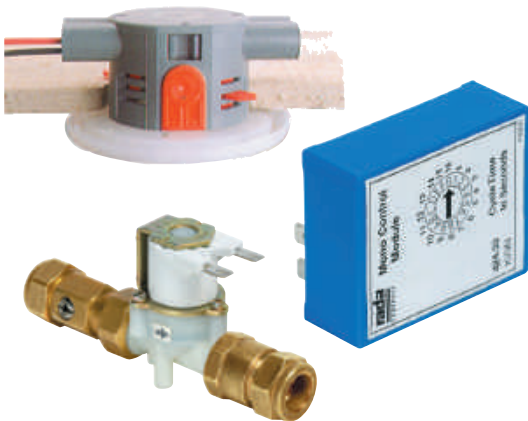
DIMENSIONS (MM) & INSTALLATION





RADA 126 MONO-CONTROL SYSTEM FOR URINAL FLUSHING

PRODUCT IMAGE



PRODUCT INFORMATION

PRODUCT CODE

1.1495.013

WEB

www.radacontrols.com/en/products/all-products/rada-126-mono-control-system/

COMPLIMENTARY PRODUCTS

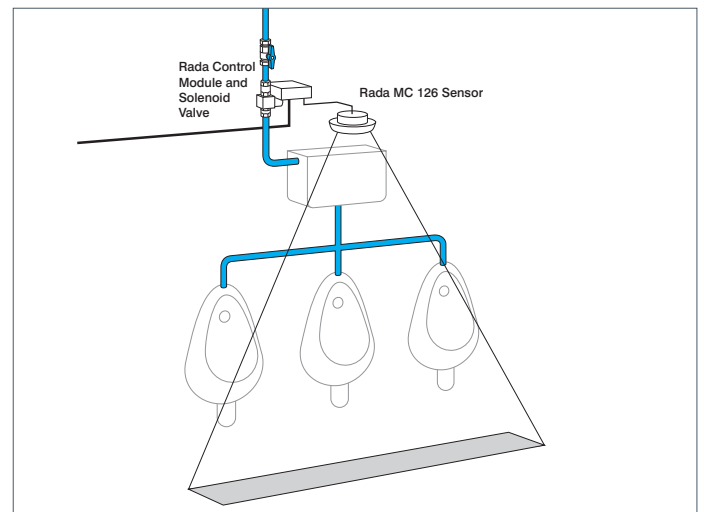
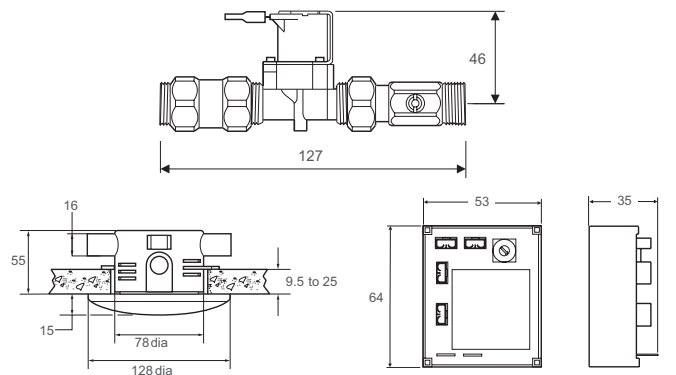
Rada PT220 Transformer
Rada Universal Transformer

DESCRIPTION

Each group of urinal bowls - up to three - to be served by one Rada Mono-Control System MC126 ceiling mounted flow control. Complete with concealed passive infra-red sensor, control module and 1/2" solenoid valve with isolator and filter.

- Hygienic non-touch control
- Ceiling mounted sensor for 'non-touch' control of a group of urinals
- Programmable flush times provides flexibility and greater economy
- All elements linked via safe extra low voltage supply (12V)

DIMENSIONS (MM) & INSTALLATION





RADA UNIVERSAL TRANSFORMER

PRODUCT IMAGE



PRODUCT INFORMATION

PRODUCT CODE

2.1.093.72.2

WEB

www.radacontrols.com/en/products/all-products/rada-universal-12-v-ac-transformer/

COMPLIMENTARY PRODUCTS

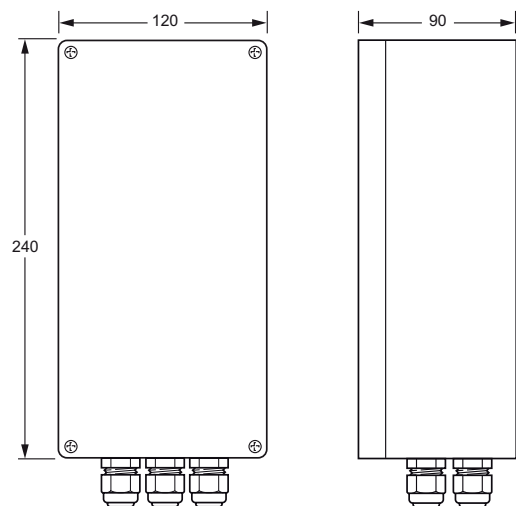
n/a

DESCRIPTION

The Rada Universal 12 V AC Transformer is designed to supply 12 V AC to a maximum of 16 Rada Mono Control Systems. The transformer enclosure is water resistant and intended for wall mounting to a suitable flat dry surface. It is intended for permanent connection to the fixed electrical wiring of the mains electric system. A 2 metre length of 230 V supply cable is supplied pre-connected within the box. Safe, low-voltage 12 V AC output is fuse protected internally.

- Designed to provide safe, low voltage 12 V AC supply to up to 16 Rada Mono-Control Systems
- Fuse protected internally
- Supplied with 2 m length of pre-connected supply cable

DIMENSIONS (MM) & INSTALLATION





RADA PT220 TRANSFORMER

PRODUCT IMAGE



PRODUCT INFORMATION

PRODUCT CODE

2.1.093.53 .3

WEB

www.radacontrols.com/en/products/all-products/rada-pt220-transformer/

COMPLIMENTARY PRODUCTS

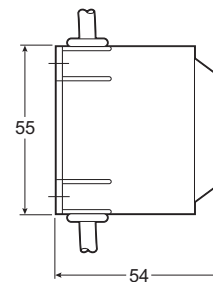
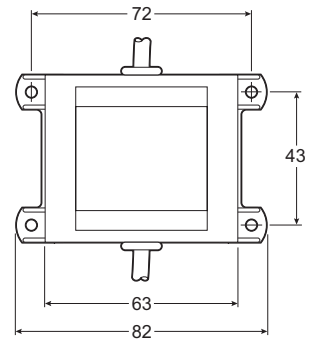
n/a

DESCRIPTION

12V transformer for use with individual Mono-Control systems.

- Designed to complement Rada Mono-Control Systems
- Increased safety (Thermal trip in-built)
- CE compliant
- Approved to BS60742

DIMENSIONS (MM) & INSTALLATION





RADA PULSE CONTROL BOX

PRODUCT IMAGE



PRODUCT INFORMATION

PRODUCT CODE

2.1.093.79.3

WEB

www.radacontrols.com/en/products/all-products/rada-pulse-control-box/

COMPLIMENTARY PRODUCTS

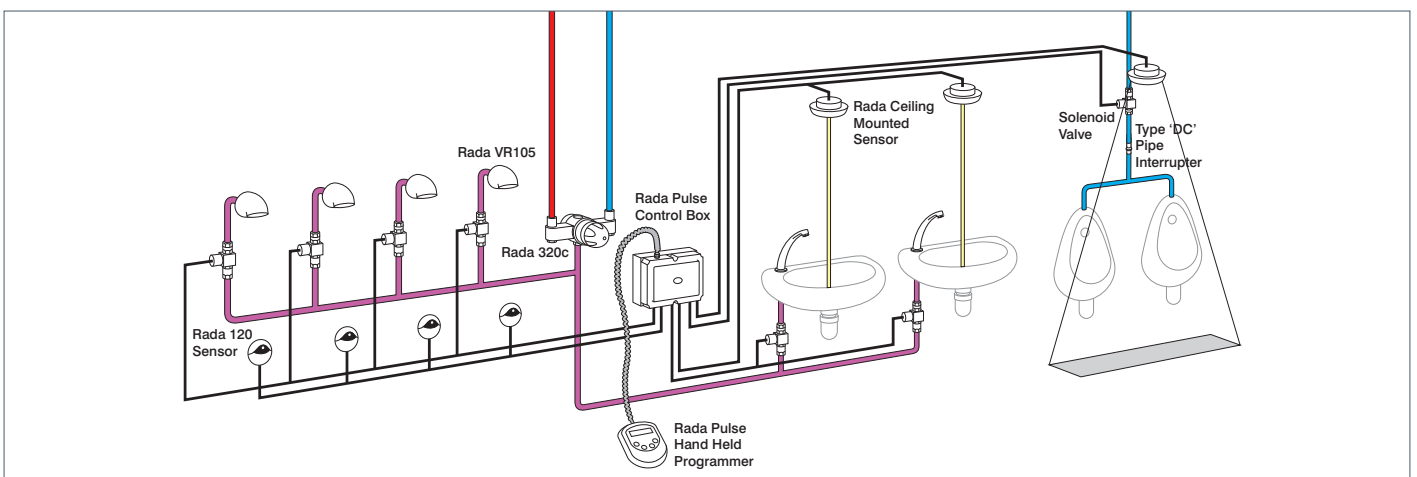
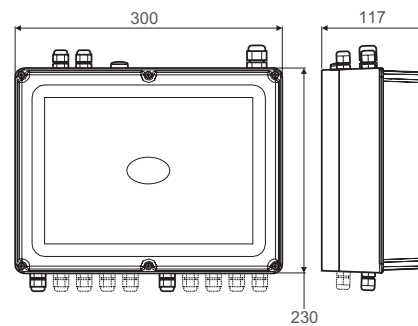
Rada Hand Held Programmer
 Rada Pulse Isolating Key Switch
 Rada Pulse Operating Key Switch
 Rada Pulse Relay Box

DESCRIPTION

A complete washroom system control unit with 12 V transformer capable of controlling up to 10 Rada Pulse Operating Systems.

- Provides central control for complete washroom system
- Controls up to 10 individual showers, hand wash basins or urinals
- Integral 12 volt transformer
- Provides interface for auxiliary equipment e.g. pumps, ventilation fans or light systems
- Robust construction
- Compatible with all Rada Pulse Operating systems, sensors and solenoids

DIMENSIONS (MM) & INSTALLATION





RADA PULSE HAND HELD PROGRAMMER

PRODUCT IMAGE



PRODUCT INFORMATION

PRODUCT CODE

2.1.093.80.1

WEB

www.radacontrols.com/en/products/all-products/rada-pulse-hand-held-programmer/

COMPLIMENTARY PRODUCTS

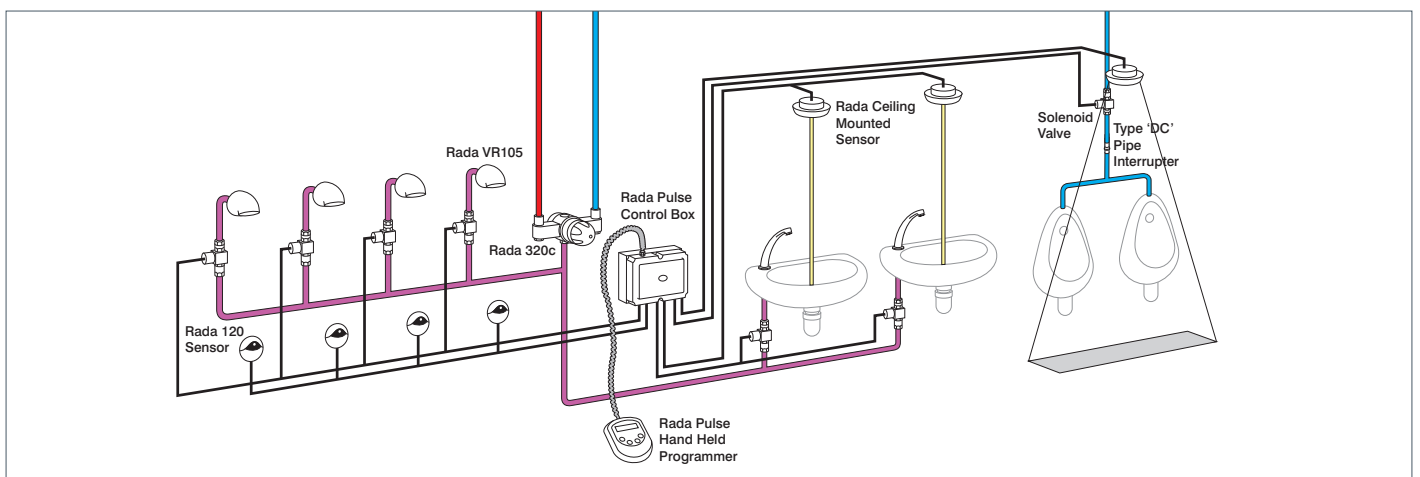
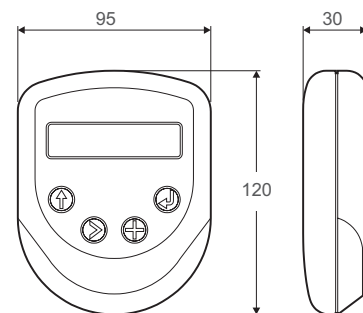
Rada Pulse Control Box
 Rada Pulse Isolating Key Switch
 Rada Pulse Operating Key Switch
 Rada Pulse Relay Box

DESCRIPTION

With four touch sensitive buttons, two line alpha numeric display and 3.0 metres extendable coiled cable suitable for programming the Rada Pulse Control Box.

- Allows the user to program mode of operation, duty cycles and flow duration for individual outlets
- Flexible programming to ensure maximum economy
- Easy to follow menu
- Multi-lingual
- Easy to use 'copy and paste' facility to assist programming multiple outlets

DIMENSIONS (MM) & INSTALLATION





RADA PULSE ISOLATING KEY SWITCH

PRODUCT IMAGE



PRODUCT INFORMATION

PRODUCT CODE

2.1495.080

WEB

www.radacontrols.com/en/products/all-products/rada-pulse-isolating-key-switch/

COMPLIMENTARY PRODUCTS

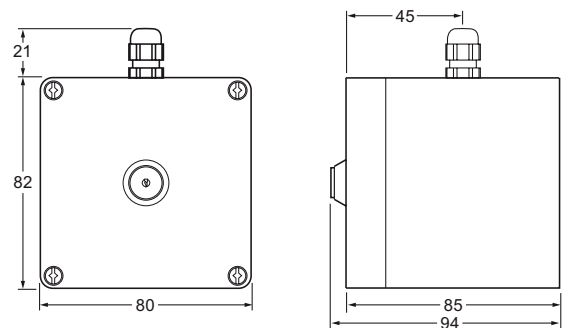
Rada Pulse Control Box System

DESCRIPTION

Rada Pulse Isolating Key Switch for temporary disablement of Rada Pulse Control Box during cleaning or maintenance.

- Designed to be wired to the Rada Pulse Control Box
- Enables the temporary disabling of a Rada Pulse Washroom Control System during cleaning and maintenance periods
- For additional security, the key may only be removed when it's in the 'OFF' position

DIMENSIONS (MM)





RADA PULSE OPERATING KEY SWITCH

PRODUCT IMAGE



PRODUCT INFORMATION

PRODUCT CODE

2.1495.081

WEB

www.radacontrols.com/en/products/all-products/rada-pulse-operating-key-switch/

COMPLIMENTARY PRODUCTS

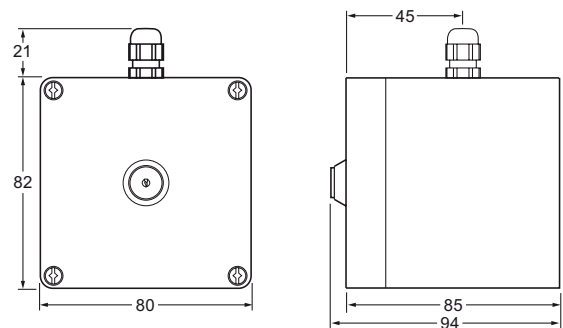
Rada Pulse Control Box System

DESCRIPTION

Rada Pulse Operating Key Switch for the manual operation of multiple outlets by authorised key holders.

- Designed to be wired to the Rada Pulse Control Box
- Enables ON/OFF operation of the outlets, for such as group showers, for requisite period by authorised key holder
- For additional security, the key may only be removed when it's in the 'OFF' position

DIMENSIONS (MM)





RADA PULSE RELAY BOX

PRODUCT IMAGE



PRODUCT INFORMATION

PRODUCT CODE

2.1495.044

WEB

www.radacontrols.com/en/products/all-products/rada-pulse-relay-box/

COMPLIMENTARY PRODUCTS

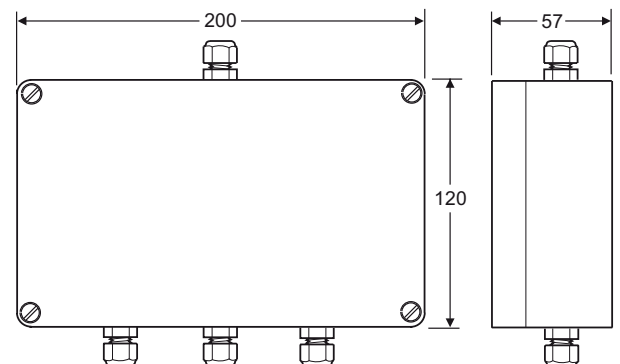
Rada Pulse Control Box System

DESCRIPTION

Rada Pulse Relay Box for use with the Rada Pulse Washroom Control Box to provide three switched relays for operation of pumps, lights and fans.

- Designed to be connected to and controlled by the Rada Pulse Control Box
- Provides three switched relays which enable the Rada Pulse Control Box to be used to initiate the operation of such as pumps, lights and fans
- All three relay outputs are fuse protected

DIMENSIONS (MM)





RADA PULSE 120 UNIVERSAL OPERATING SYSTEM FOR HAND WASHING OR SHOWERING

PRODUCT IMAGE



PRODUCT INFORMATION

PRODUCT CODE

1.1495.063

WEB

www.radacontrols.com/en/products/all-products/rada-pulse-120-operating-system/

COMPLIMENTARY PRODUCTS

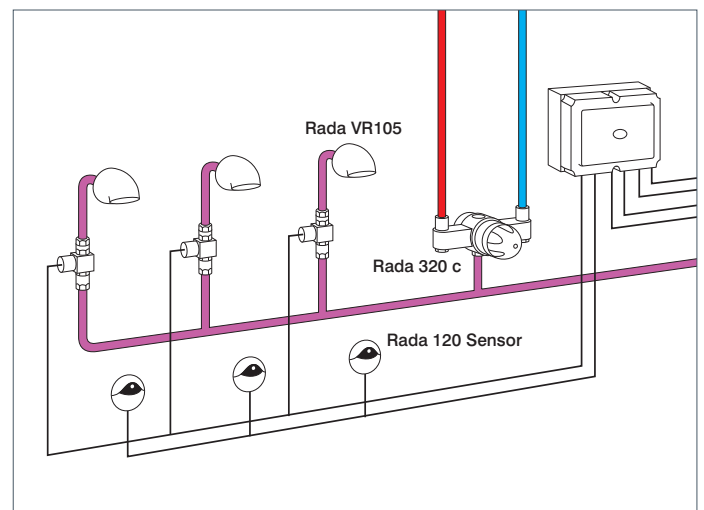
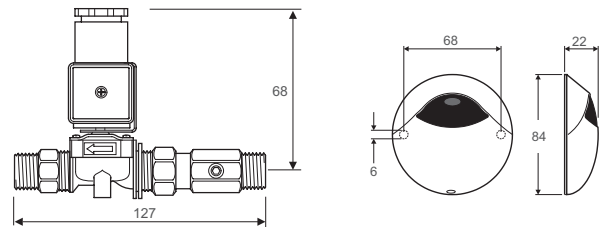
Rada Pulse Control Box
 Rada Pulse Hand Held Programmer
 Rada VR Showerheads
 Rada VR2 Showerhead
 Rada SP W150 Spout
 Rada SP WD100 Spout

DESCRIPTION

Each outlet to be served by one Rada Pulse 120 Operating System with wall mounted 'no touch' flow control. Complete with active infra-red sensor and 1/2" solenoid valve with isolator and filter.

- Hygiene 'no-touch' control
- Suitable for showering and handwashing
- Wall mounted sensor for 'no-touch' control of a single wash basin or shower
- Economy and flexibility - timing can be programmed to suit application
- All elements linked via safe extra low voltage (12 Volts) supply
- For use with Rada Pulse Control Box system

DIMENSIONS (MM) & INSTALLATION





RADA PULSE 129 UNIVERSAL OPERATING SYSTEM FOR HAND WASHING OR SHOWERING

PRODUCT IMAGE



PRODUCT INFORMATION

PRODUCT CODE

1.1495.068

WEB

www.radacontrols.com/en/products/all-products/rada-pulse-129-operating-system/

COMPLIMENTARY PRODUCTS

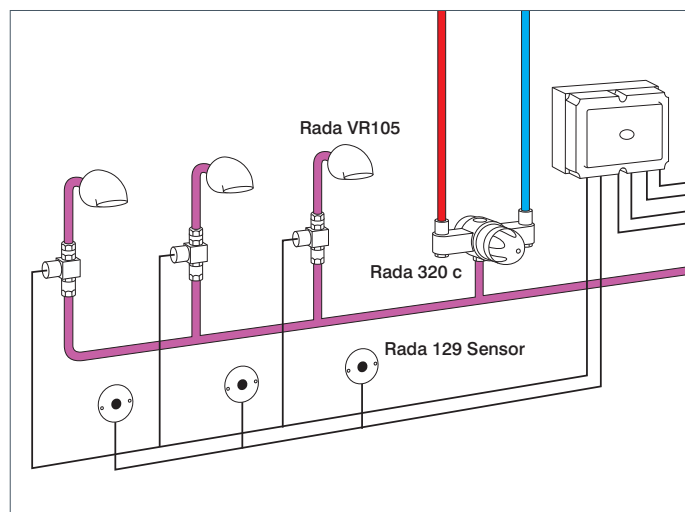
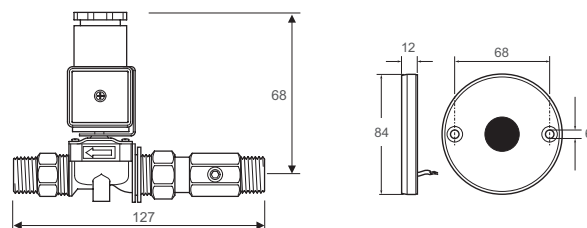
Rada Pulse Control Box
 Rada Pulse Hand Held Programmer
 Rada VR Showerheads
 Rada VR2 Showerhead
 Rada SP W150 Spout
 Rada SP WD100 Spout

DESCRIPTION

Each outlet to be served by one Rada Pulse 129 Operating System wall mounted 'no touch' flow control. Complete with chrome plated active infra-red sensor and 1/2" solenoid valve with isolator and filter.

- Hygiene 'no-touch' control
- Suitable for showering and handwashing
- Wall mounted sensor for 'no-touch' control of a single wash basin or shower
- Economy and flexibility - timing can be programmed to suit application
- All elements linked via safe extra low voltage (12 Volts) supply
- For use with Rada Pulse Control Box system

DIMENSIONS (MM) & INSTALLATION





RADA LR OPERATING SYSTEM FOR HAND WASHING OR SHOWERING

PRODUCT IMAGE



PRODUCT INFORMATION

PRODUCT CODE

1.1640.002

WEB

www.radacontrols.com/en/products/all-products/rada-lr-operating-system/

COMPLIMENTARY PRODUCTS

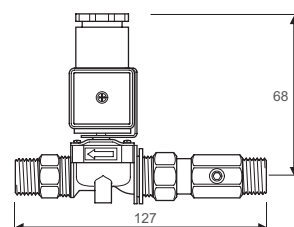
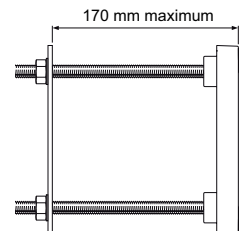
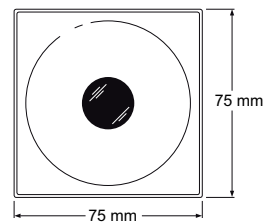
Rada LR Head
Rada Pulse Control Box System

DESCRIPTION

Ligature resistant active infra-red sensor and 1/2" solenoid valve with isolator and filter.

- For use with the LR Head and Rada Pulse Control Box System
- Ideal for prisons and secure psychiatric facilities
- Designed to be recessed or built within the wall surface
- No-touch control of a washbasin or shower
- Economy and security - timing can be programmed for flow control and to prevent misuse

DIMENSIONS (MM)





RADA PULSE 124 OPERATING SYSTEM FOR HAND WASHING

PRODUCT IMAGE



PRODUCT INFORMATION

PRODUCT CODE

1.1495.065

WEB

www.radacontrols.com/en/products/all-products/rada-pulse-124-operating-system/

COMPLIMENTARY PRODUCTS

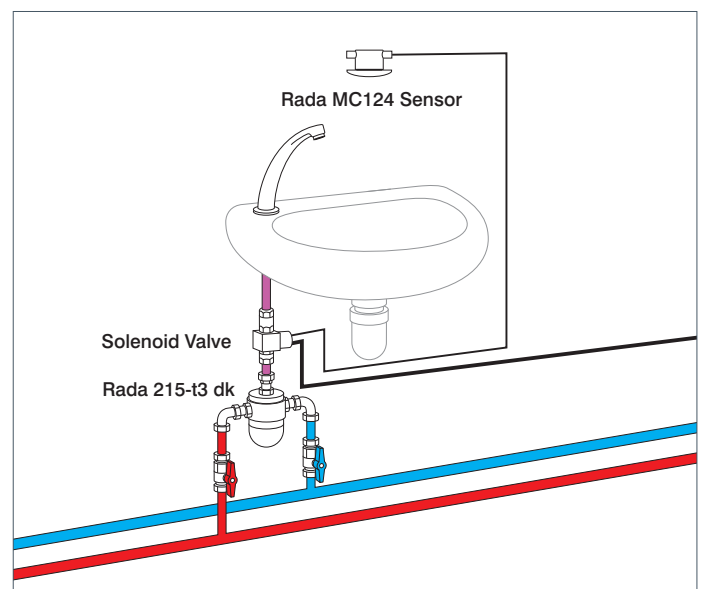
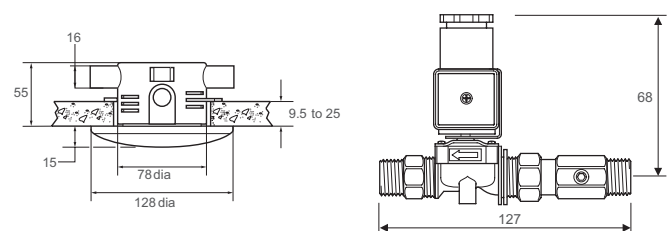
Rada Pulse Control Box System
Rada Pulse Hand Held Programmer
Rada SP W150 Spout
RADA SP WD100 Spout

DESCRIPTION

Each outlet to be served by one Rada Pulse 124 Operating System ceiling mounted flow control. Complete with concealed passive infra-red sensor and 1/2" solenoid valve with isolator and filter.

- Hygiene 'no-touch' control
- Ceiling mounted sensor for 'no-touch' control of single washbasins
- Economy and flexibility - timing can be programmed to suit application
- All elements linked via safe extra low voltage (12 Volts) supply
- For use with Rada Pulse Control Box system

DIMENSIONS (MM) & INSTALLATION





RADA PULSE 122 OPERATING SYSTEM FOR URINAL FLUSHING

PRODUCT IMAGE



PRODUCT INFORMATION

PRODUCT CODE

1.1495.064

WEB

www.radacontrols.com/en/products/all-products/rada-pulse-122-operating-system/

COMPLIMENTARY PRODUCTS

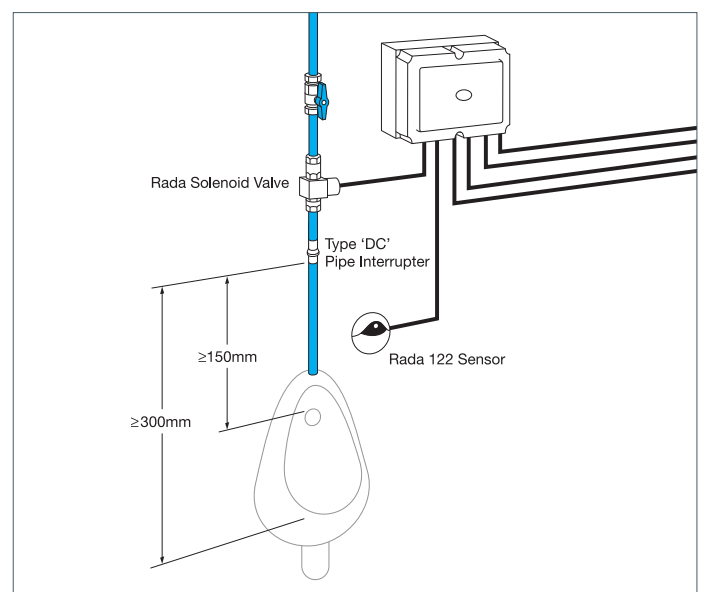
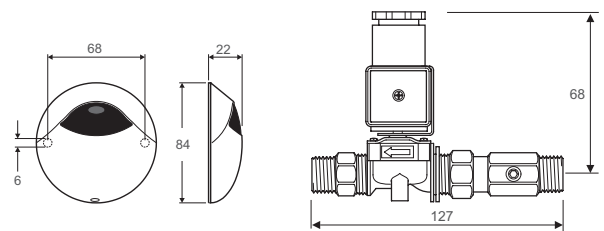
Rada Pulse Control Box
Rada Pulse Hand Held Programmer

DESCRIPTION

Each urinal bowl to be served by one Rada Pulse 122 Operating System wall mounted flushing control. Complete with concealed active infra-red sensor and 1/2" solenoid valve with isolator and filter.

- Hygiene 'no-touch' automatic urinal flushing
- Wall mounted sensor for 'no-touch' control of a single urinal
- Programmable flush times provides flexibility and greater economy
- Automatic duty flush when building unoccupied
- All elements linked via safe extra low voltage (12 Volts) supply
- For use with Rada Pulse Control Box system

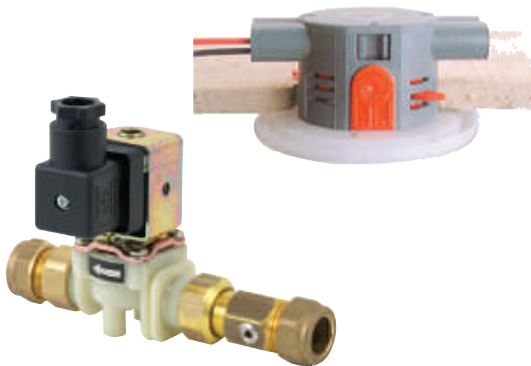
DIMENSIONS (MM) & INSTALLATION





RADA PULSE 125 OPERATING SYSTEM FOR URINAL FLUSHING

PRODUCT IMAGE



PRODUCT INFORMATION

PRODUCT CODE

1.1495.066

WEB

www.radacontrols.com/en/products/all-products/rada-pulse-125-operating-system/

COMPLIMENTARY PRODUCTS

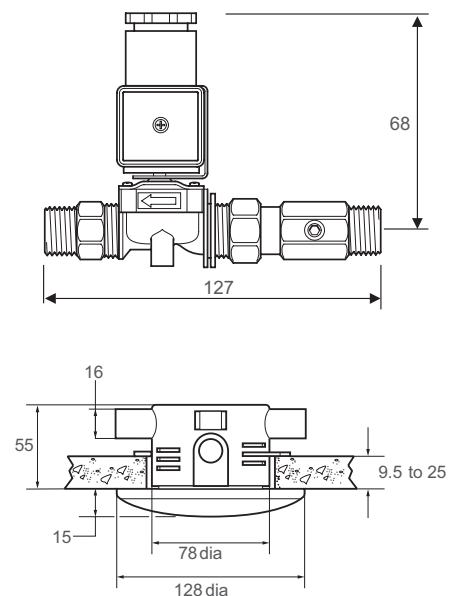
Rada Pulse Control Box
Rada Pulse Hand Held Programmer

DESCRIPTION

Each urinal bowl to be served by one Rada Pulse 125 Operating System ceiling mounted flow control. Complete with concealed passive infra-red sensor and ½" solenoid valve with isolator and filter.

- Hygiene 'no-touch' automatic urinal flushing
- Ceiling mounted sensor for 'no-touch' control of a single urinal
- Programmable flush times provides flexibility and greater economy
- Automatic duty flush when building unoccupied
- All elements linked via safe extra low voltage (12 Volts) supply
- For use with Rada Pulse Control Box system

DIMENSIONS (MM)





RADA PULSE 126 OPERATING SYSTEM FOR URINAL FLUSHING

PRODUCT IMAGE



PRODUCT INFORMATION

PRODUCT CODE

1.1495.067

WEB

www.radacontrols.com/en/products/all-products/rada-pulse-126-operating-system/

COMPLIMENTARY PRODUCTS

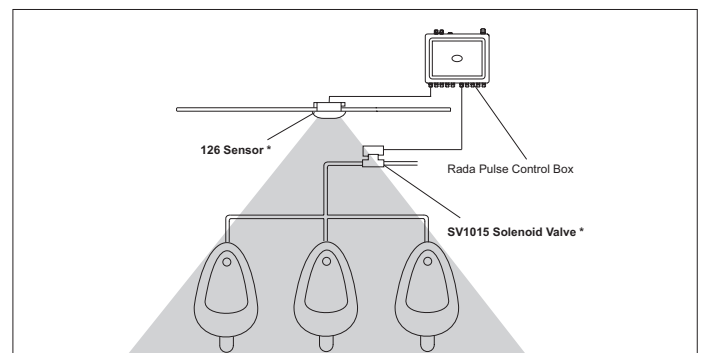
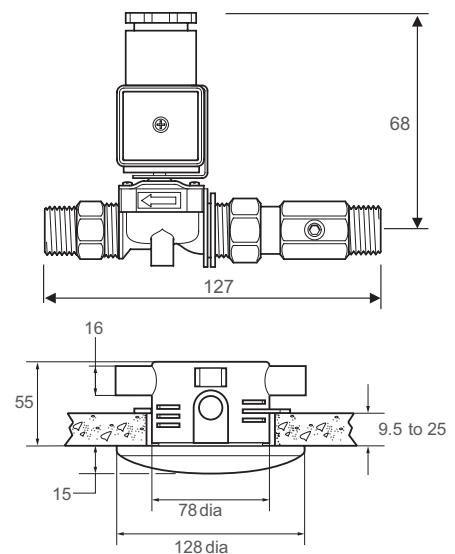
Rada Pulse Control Box
Rada Pulse Hand Held Programmer

DESCRIPTION

Each group of up to three urinal bowls to be served by one Rada Pulse 126 Operating System ceiling mounted flow control. Complete with concealed passive infra-red sensor and 1/2" solenoid valve with isolator and filter.

- For group (up to three) urinal flushing
- Hygiene 'no-touch' automatic urinal flushing
- Ceiling mounted sensor for 'no-touch' control of a single urinal
- Programmable flush times provides flexibility and greater economy
- Automatic duty flush when building unoccupied
- All elements linked via safe extra low voltage (12 Volts) supply
- For use with Rada Pulse Control Box system

DIMENSIONS (MM)



Only the Sensor and Solenoid are supplied with this operating system as indicated *



RADA FE9 FOR URINAL FLUSHING

PRODUCT IMAGE



DESCRIPTION

Flush Urinal Box - Each urinal bowl to be served by one FE9 40X Urinal Flush Installation Box. 66100120

- Concealed housing
- Easy clean filter
- Valve body with stop valve and installation flushing connector
- Solid wall or panel mounting

Flush Urinal Flushplate - Each urinal bowl to be served by one FE9 40M Mains or FE9 40B Battery Urinal Flushplate wall mounted flushing control.

- Final installation set for Rada Urinal Flush valve
- Sturdy front plate made of stainless-steel
- Double infrared sensors with automatic setting feature, microprocessor-electronic.
- Reliable solenoid valve (minimal level of water pressure surge)
- Dynamic sensor, constantly adjusts the optimum range
- Temporary-off function for cleaning
- Battery or mains powered (to suit all installations)
- Installation in combination with urinal flush installation box
- Low battery indicator

PRODUCT INFORMATION

PRODUCT CODE

Rada FE9 40X Urinal Flush Installation Box - 2.1942.007

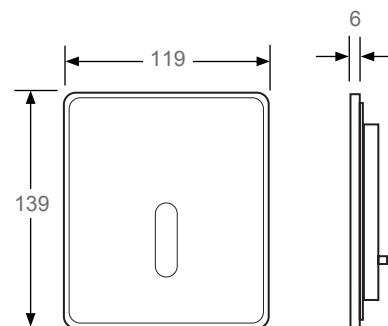
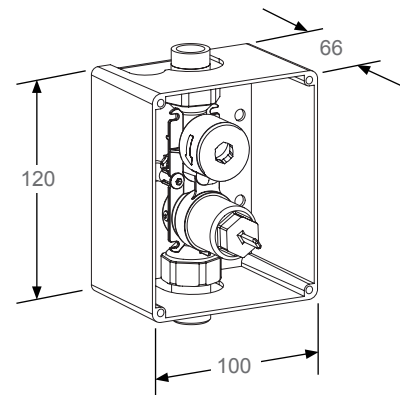
Rada FE9 40M Mains Urinal Flushplate - 2.1942.005

Rada FE9 40B Battery Urinal Flushplate - 2.1942.006

WEB

www.radacontrols.com/en/products/all-products/rada-fe9

DIMENSIONS (MM)



BATHING

Details on Rada's specialised solutions for bathing applications are featured here.

These include an under-bath thermostatic mixing valve (with TMV3 approval for use in high-risk applications) plus other products which reflect Rada's technological capabilities such as a fully thermostatic and TMV3-approved bath and shower mixer. This section also features Rada's bath spout for use with pre-blended water. These versatile products allow for the creation of bathing and showering solutions.



RADA 222 T3 DK

PRODUCT IMAGE



DESCRIPTION

3/4" thermostatic mixing valve incorporating Radatherm service-free cartridge, check valves and strainers. Supplied with 3/4" flat faced union connectors terminating in 22mm compression connections.

- Buildcert TMV3 Scheme Approved
- Features the unique patented 'Radatherm' service-free cartridge
- Complete with check valves and strainers
- Connections: (Inlets & Outlet) 3/4" flat-faced male union. Note: 2 elbows and 1 straight union connector are supplied, terminating in 22mm compression connections

PRODUCT INFORMATION

PRODUCT CODE

1.0.407.07.3

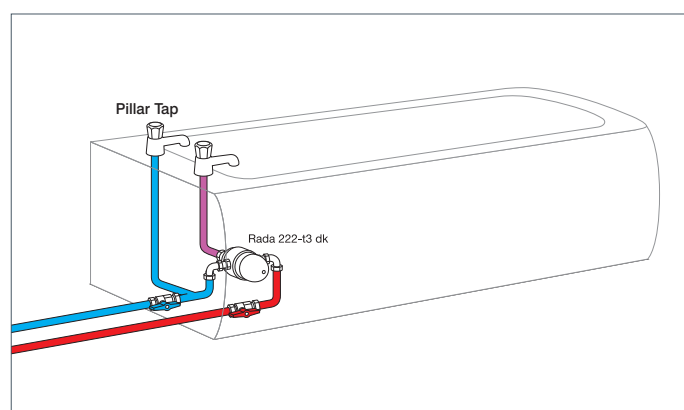
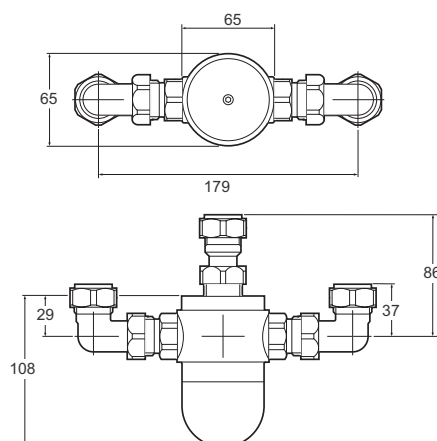
WEB

www.radacontrols.com/en/products/all-products/rada-222-t3-dk/

COMPLIMENTARY PRODUCTS

Rada Pulse Range
Rada SP T150 Wall Mounted Bath Spout

DIMENSIONS (MM) & INSTALLATION





RADA AUTOTHERM-3 BSM

PRODUCT IMAGE



PRODUCT INFORMATION

PRODUCT CODE

1.1533.110

WEB

www.radacontrols.com/en/products/all-products/rada-autotherm-3-bsm/

COMPLIMENTARY PRODUCTS

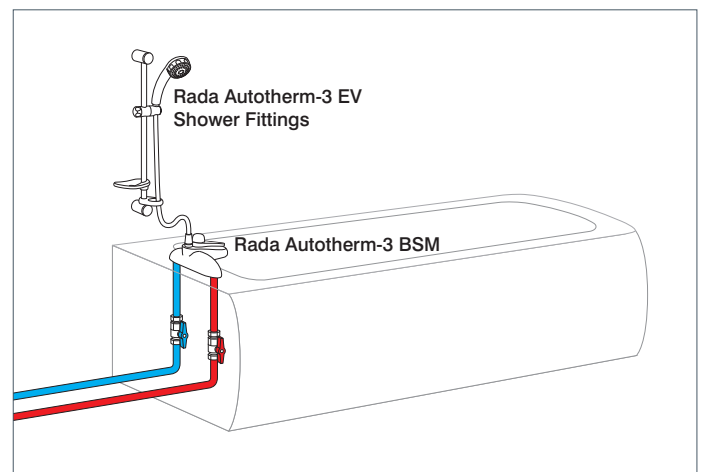
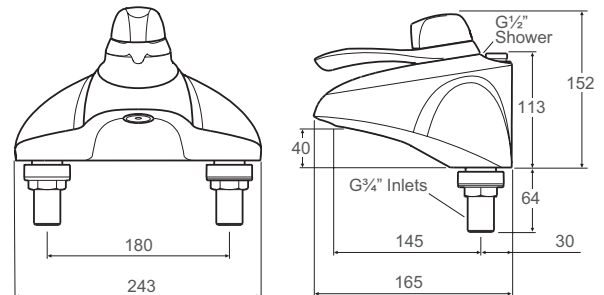
Rada Autotherm-3 EV - Bath Shower Fittings
Rada Autotherm-3 EV CAT5 - Bath Shower Fittings

DESCRIPTION

Fully thermostatic bath and shower mixer, TMV 3 approved for both low and high pressure installation.

- Buildcert TMV2 Scheme Approved
- The only bath shower mixer with the facility to deliver one maximum temperature for bathfill and another for showering
- It will automatically reset a safe maximum showering temperature where the higher bathfill temperature had already been set
- Easy 'above-the-bath maintenance' body removable from manifold for easy access to check valves and filters
- Supplied complete with service-free temperature and flow cartridges, check valves and flexible tails
- Connections: (Inlets to BSM body): $\frac{3}{4}$ " BSP male at 180mm centres. Hot left, cold right. Inlets supplied with 0.5m long flexible hoses: 22mm compression fitting with isolating valves. (Shower Outlet): $\frac{1}{2}$ " BSP male

DIMENSIONS (MM) & INSTALLATION





RADA SP T150 WALL MOUNTED BATH SPOUT - SHORT

PRODUCT IMAGE



DESCRIPTION

A wall mounted bath spout with 150mm throw supplied complete with a flow straightener.

- Durable polished chrome finish
- Easy to install

PRODUCT INFORMATION

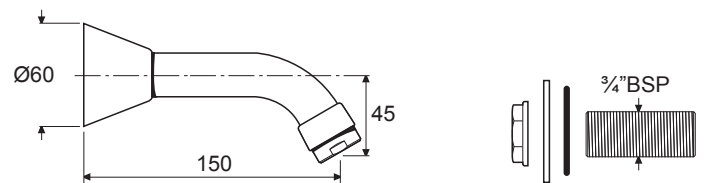
PRODUCT CODE

1.1503.734

WEB

www.radacontrols.com/en/products/all-products/rada-sp-t150-wall-mounted-bath-spout-short/

DIMENSIONS (MM)





RADA MEYNELL BONUS

PRODUCT IMAGE



PRODUCT INFORMATION

PRODUCT CODE

PEBS0026.1P

WEB

www.radacontrols.com/en/products/all-products/rada-meynell-bonus/

COMPLIMENTARY PRODUCTS

Rada Autotherm-3 EV - Bath Shower Fittings

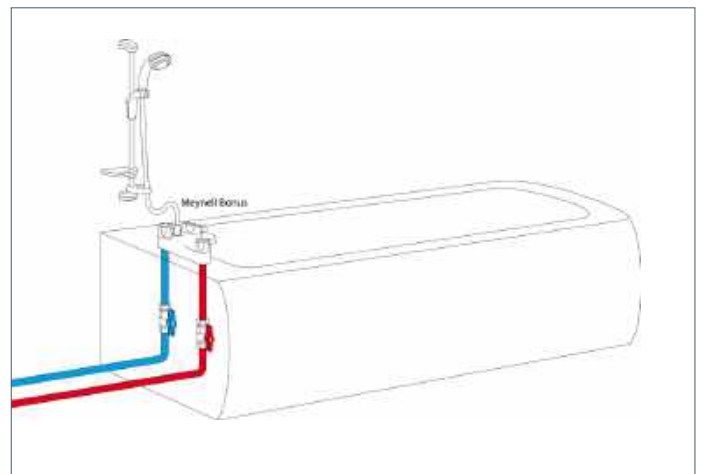
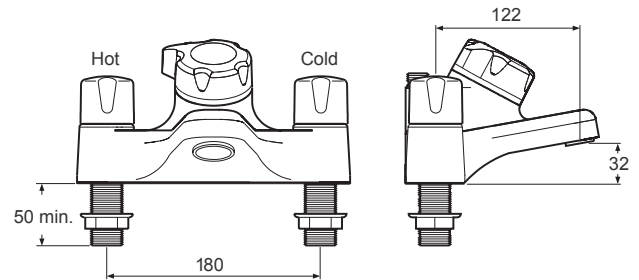
Rada Autotherm-3 EV CAT5 - Bath Shower Fittings

DESCRIPTION

Combined manual bath mixer and thermostatic shower with washer bath tap headworks.

- Combined manual bath mixer and thermostatic shower
- Suitable for all baths with standard 180mm tap hole centres
- Simple and quick to install
- Attractive, easy clean design
- Standard washer bath tap headworks
- 3/4" male BSP connections

DIMENSIONS (MM) & INSTALLATION



RADA SENSE

FULL RANGE OF RADA SENSE
BATH PRODUCTS ON PAGES 21 - 22.

Concealed digital mixing valves for bath/shower, offering non-touch flow and temperature control, programmable maximum, minimum and default temperatures, duty flush and thermal disinfection with datalogging capabilities.



SHOWER FITTINGS

This range of fixed and adjustable fittings allow Rada's customers to tailor each showering installation to suit the specific project in question.

Whether you require contemporary rail kits, Category 5 compliant bah and shower mixer kits, vandal or ligature-resistant shower fittings, Rada can provide the perfect shower fitting solution.



RADA EV SHOWER FITTINGS

PRODUCT IMAGE



DESCRIPTION

Slide rail shower kit, supplied complete with 1.25m flexible hose, clamp bracket assembly, slide bar, end supports, soap dish, hose retaining ring and adjustable spray handset. Available in chrome finish. Suitable for connection to surface mounted shower controls.

- Easy to use - 5 function handset
- Suitable for high or low pressure plumbing systems
- RAC accessory available for built-in shower controls
- Connections: The shower hose terminates with a 1/2" BSP female thread

PRODUCT INFORMATION

PRODUCT CODE

2.1642.001

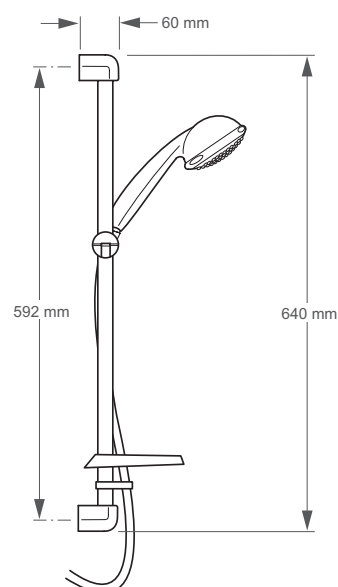
WEB

www.radacontrols.com/en/products/all-products/rada-ev-shower-fittings/

COMPLIMENTARY PRODUCTS

Rada RAC Accessory

DIMENSIONS (MM)





RADA EV HEAVY DUTY SHOWER FITTINGS

PRODUCT IMAGE



PRODUCT INFORMATION

PRODUCT CODE

2.1642.002

WEB

www.radacontrols.com/en/products/all-products/rada-ev-heavy-duty-shower-fittings/

COMPLIMENTARY PRODUCTS

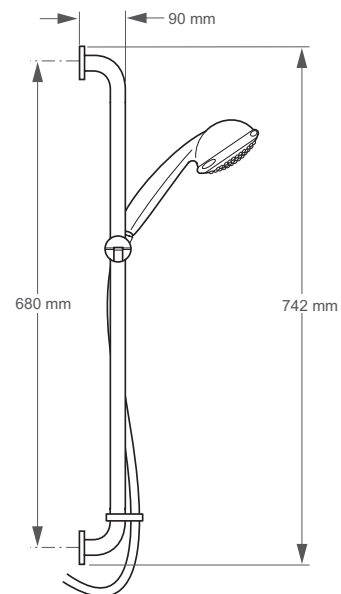
Rada RAC Accessory

DESCRIPTION

Robust shower rail kit, supplied complete with 1.25 m flexible hose, clamp bracket assembly, hose retaining ring and adjustable spray handset. Available in chrome finish. Suitable for connection to surface mounted shower controls.

- Easy to use - 5 function handset
- Suitable for high or low pressure plumbing systems
- Heavy duty slide bar
- RAC accessory available for built-in shower controls
- Connections: The shower hose terminates with a 1/2" BSP female thread

DIMENSIONS (MM)





RADA LR HEAD

PRODUCT IMAGE



PRODUCT INFORMATION

PRODUCT CODE

2.1640.001

WEB

www.radacontrols.com/en/products/all-products/rada-lr-head/

COMPLIMENTARY PRODUCTS

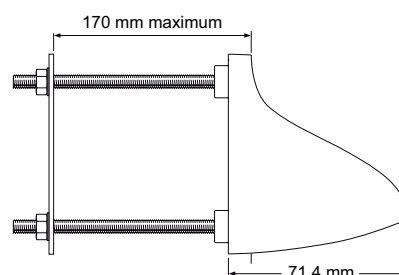
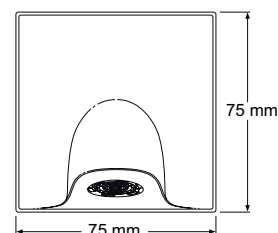
Rada LR Operating System
Rada Pulse Control Box System

DESCRIPTION

Ligature resistant showerhead/short projection basin spout for connection to concealed pipework. Fitted with an 8 l/min spray cartridge, with a 5.0 l/min flow straightener supplied for basin use.

- For use with the LR Operating System and the Rada Pulse Control Box System
- Ideal for prisons and secure psychiatric facilities
- Designed to be recessed or built within the wall surface to prevent ligature points
- Vandal resistant, ligature resistant, suitable for showering or as a short projection basin spout
- Fitted with an 8 l/min spray cartridge providing consistent, efficient shower performance
- 5 l/min flow straightener supplied for basin use
- ½" BSP connection

DIMENSIONS (MM)





RADA VR2-RS

PRODUCT IMAGE



PRODUCT INFORMATION

PRODUCT CODE

2.1652.009

WEB

www.radacontrols.com/en/products/all-products/rada-vr2-rs/

COMPLIMENTARY PRODUCTS

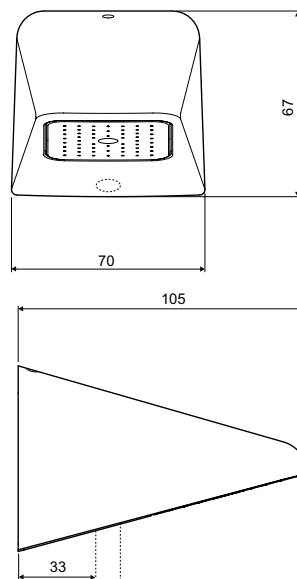
n/a

DESCRIPTION

For connection to concealed pipework, 1/2" BSP connection. With fixed spray plate and 9 l/min flow regulator (6.0 l/min regulator supplied).

- Vandal resistant Showerhead
- Available for concealed applications
- Combines style with high performance
- Ideal for leisure facilities, secure establishments, schools and student accommodation
- Polished chrome plated to a high standard
- Easy to fit and secure installation
- Choice of 9 l/min (fitted) or 6 l/min flow regulator (supplied) for water economy
- Connections: 1/2" BSP

DIMENSIONS (MM)





RADA VR2-ES

PRODUCT IMAGE



PRODUCT INFORMATION

PRODUCT CODE

2.1652.011

WEB

www.radacontrols.com/en/products/all-products/rada-vr2-es/

COMPLIMENTARY PRODUCTS

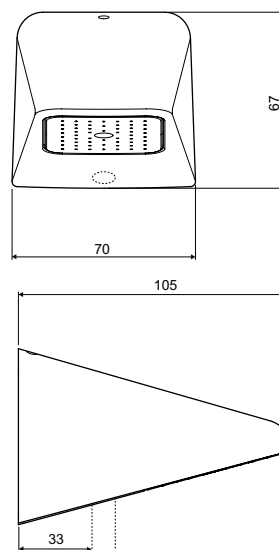
Rada Riser Pipe

DESCRIPTION

For connection to rising surface pipework, 15mm push-fit pipe connection. With fixed spray plate and 9 l/min flow regulator (6.0 l/min regulator supplied).

- Vandal resistant Showerhead
- Available for exposed applications
- Combines style with high performance
- Ideal for leisure facilities, secure establishments, schools and student accommodation
- Polished chrome plated to a high standard
- Easy to fit and secure installation
- Choice of 9 l/min (fitted) or 6 l/min flow regulator (supplied) for water economy
- Connections: inlet 1/2" BSP

DIMENSIONS (MM)





RADA VR2-CC

PRODUCT IMAGE



PRODUCT INFORMATION

PRODUCT CODE

2.1652.010

WEB

www.radacontrols.com/en/products/all-products/rada-vr2-cc/

COMPLIMENTARY PRODUCTS

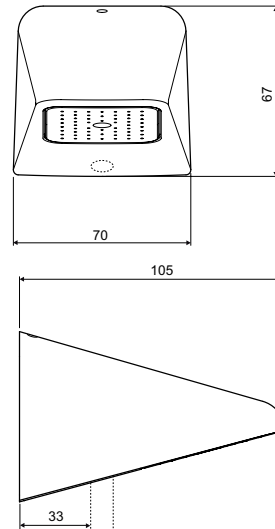
n/a

DESCRIPTION

For connection to concealed pipework, 15 mm compression fitting connection. With fixed spray plate and 9 l/min flow regulator (6.0 l/min regulator supplied).

- Vandal resistant Showerhead
- Available for concealed applications
- Combines style with high performance
- Ideal for leisure facilities, secure establishments, schools and student accommodation
- Polished chrome plated to a high standard
- Easy to fit and secure installation
- Choice of 9 l/min (fitted) or 6 l/min flow regulator (supplied) for water economy
- Connections: 15mm compression

DIMENSIONS (MM)





RADA VR105

PRODUCT IMAGE



PRODUCT INFORMATION

PRODUCT CODE

1.0.098.77.1

WEB

www.radacontrols.com/en/products/all-products/rada-vr105/

COMPLIMENTARY PRODUCTS

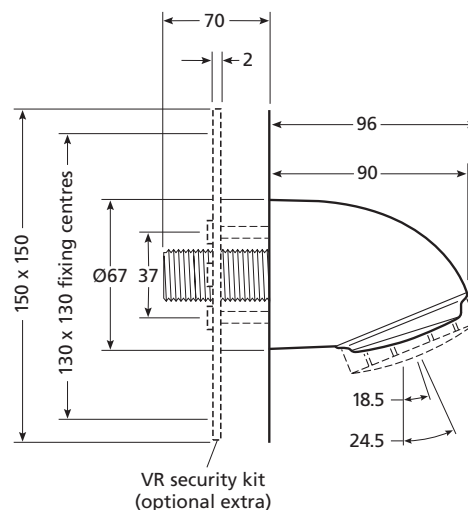
Rada VR Security Kit
Rada 310R Cartridge
Rada 300R Cartridge

DESCRIPTION

Vandal resistant shower fitting for connection to concealed pipework with fixed spray plate and 9 l/min flow regulator.

- Durable polished chrome finish
- Optional security plate for increased vandal resistance
- ½" BSP male nipple connection
- Fitted with single spray pattern plate with adjustable angle of discharge
- Fitted with 9 litres/minute flow regulator (6 litre regulator available)
- Connections: ½" BSP parallel nipple to concealed pipe work

DIMENSIONS (MM)





RADA VR115

PRODUCT IMAGE



PRODUCT INFORMATION

PRODUCT CODE

1.0.098.83.1

WEB

www.radacontrols.com/en/products/all-products/rada-vr115/

COMPLIMENTARY PRODUCTS

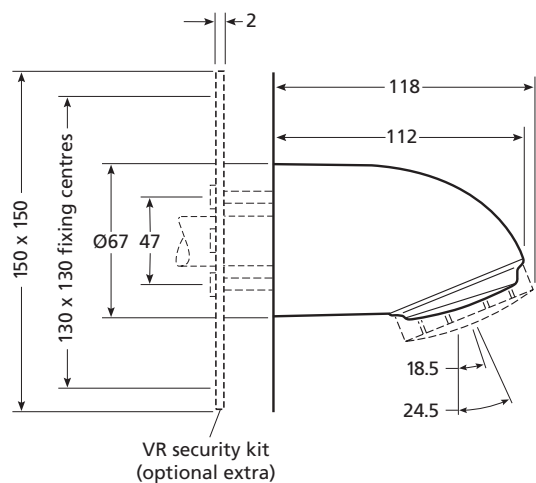
Rada VR Security Kit
Rada 310R Cartridge
Rada 300R Cartridge

DESCRIPTION

Vandal resistant shower fitting for connection to concealed pipework with fixed spray plate and 9 l/min flow regulator.

- Durable polished chrome finish
- Optional security plate for increased vandal resistance
- 15 mm compression connection
- Fitted with single spray pattern plate with adjustable angle of discharge
- Fitted with 9 litres/minute flow regulator (6 litre regulator available)
- Connections: 15mm compression connection to concealed pipe work

DIMENSIONS (MM)





RADA VR125

PRODUCT IMAGE



PRODUCT INFORMATION

PRODUCT CODE

1.0.098.81.1

WEB

www.radacontrols.com/en/products/all-products/rada-vr125/

COMPLIMENTARY PRODUCTS

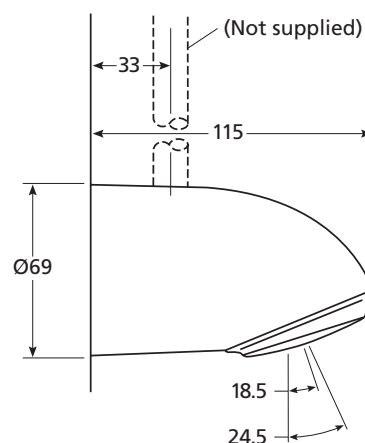
Rada Riser Pipe
Rada 310R Cartridge
Rada 300R Cartridge

DESCRIPTION

Vandal resistant shower fitting for connection to falling pipework with fixed spray plate and 9 l/min flow regulator.

- Durable polished chrome finish
- 15 mm compression connection
- Fitted with single spray pattern plate with adjustable angle of discharge
- Fitted with 9 litres/minute flow regulator (6 litre regulator available)
- Connections: Push-fit socket to accept 15mm pipe work

DIMENSIONS (MM)





RADA VR145

PRODUCT IMAGE



PRODUCT INFORMATION

PRODUCT CODE

1.0.098.79.1

WEB

www.radacontrols.com/en/products/all-products/rada-vr145/

COMPLIMENTARY PRODUCTS

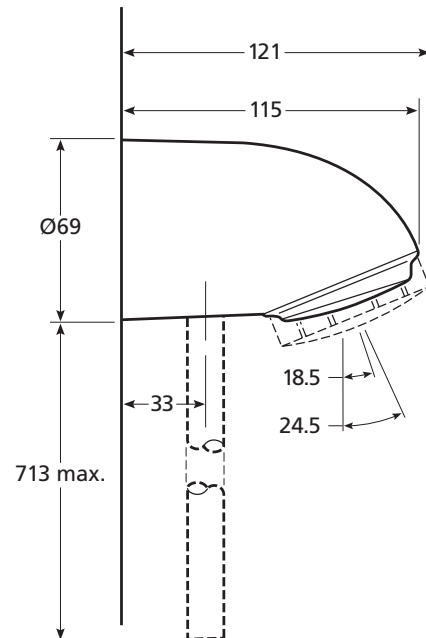
Rada Riser Pipe
Rada 310R Cartridge
Rada 300R Cartridge

DESCRIPTION

Vandal resistant shower fitting for connection to rising surface pipework with fixed spray plate and 9 l/min flow regulator.

- Durable polished chrome finish
- 15mm rising straight push-fit pipe connection
- Optional 'Rada Riser Pipe' suitable
- Fitted with single spray pattern plate with adjustable angle of discharge
- Fitted with 9 litres/minute flow regulator (6 litre regulator available)
- Connections: Push-fit socket to accept 15mm pipe work

DIMENSIONS (MM)





RADA ER-S 310 SHOWER FITTING

PRODUCT IMAGE



DESCRIPTION

Shower fitting assembly with stainless steel shower arm and riser pipe with 1/2" BSP male connection incorporating 310 hard water push clean spray fitting.

- Robust rigid riser/ball swivel Showerhead fitting assembly
- 1/2" BSP connections
- Durable polished chrome finish (Showerhead)
- Hard water Showerhead, self draining and push clean
- Robust, stainless steel shower arm and riser pipe

PRODUCT INFORMATION

PRODUCT CODE

1.0.108.45.1

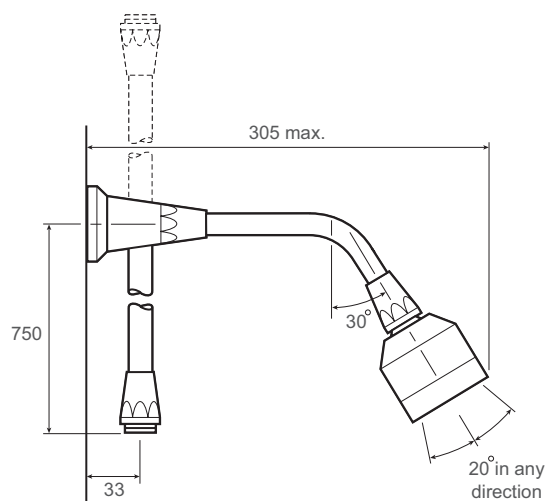
WEB

www.radacontrols.com/en/products/all-products/rada-er-s-310/

COMPLIMENTARY PRODUCTS

n/a

DIMENSIONS (MM)





RADA SH13 SPRAY HEAD - CHROME

PRODUCT IMAGE



PRODUCT INFORMATION

PRODUCT CODE

1.0.098.08.2

WEB

www.radacontrols.com/en/products/all-products/rada-sh13-chrome/

COMPLIMENTARY PRODUCTS

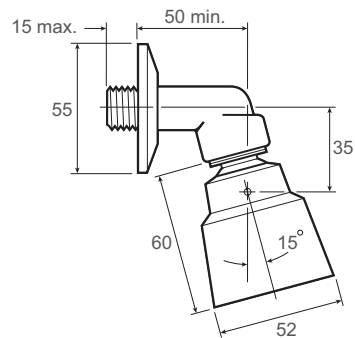
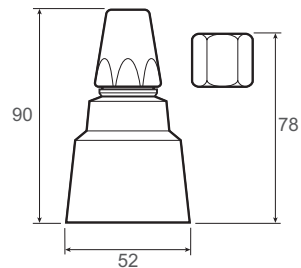
n/a

DESCRIPTION

A chrome plated swivel spray head in engineering plastic with 15mm compression connection.

- Chrome ball swivel shower head
- 15mm compression connections
- Chrome connections
- Single spray pattern

DIMENSIONS (MM)





RADA SH13 SPRAY HEAD - WHITE

PRODUCT IMAGE



PRODUCT INFORMATION

PRODUCT CODE

1.0.099.60.2

WEB

www.radacontrols.com/en/products/all-products/rada-sh13-spray-head-white/

COMPLIMENTARY PRODUCTS

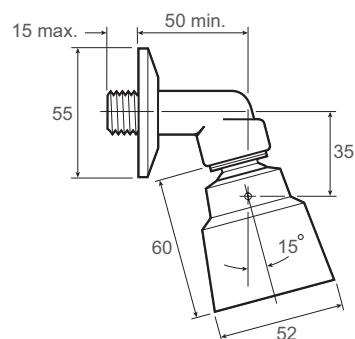
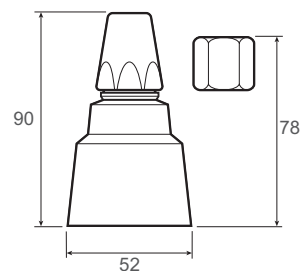
n/a

DESCRIPTION

A white swivel spray head in engineering plastic with 15mm compression connection.

- White ball swivel shower head
- 15mm compression connections
- White engineering plastic with chrome connections
- Single spray pattern

DIMENSIONS (MM)





RADA SH15 SPRAY HEAD - CHROME

PRODUCT IMAGE



PRODUCT INFORMATION

PRODUCT CODE

1.0.098.06.3

WEB

www.radacontrols.com/en/products/all-products/rada-sh15-chrome/

COMPLIMENTARY PRODUCTS

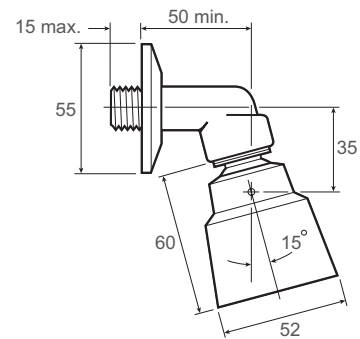
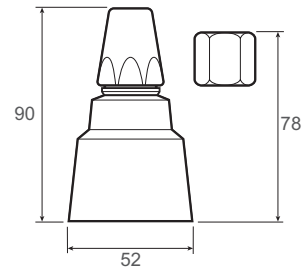
n/a

DESCRIPTION

A chrome plated swivel spray head with 1/2" BSP male/female connection.

- White ball swivel shower head
- 1/2" BSP male/female connections
- Chrome connections
- Single spray pattern

DIMENSIONS (MM)





RADA SH15 SPRAY HEAD - WHITE

PRODUCT IMAGE



PRODUCT INFORMATION

PRODUCT CODE

1.0.099.61.2

WEB

www.radacontrols.com/en/products/all-products/rada-sh15-spray-head-white/

COMPLIMENTARY PRODUCTS

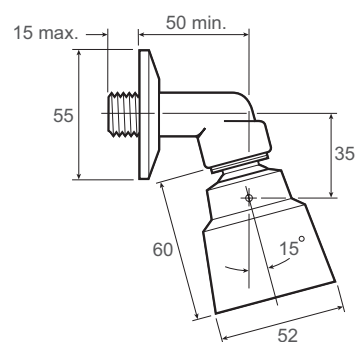
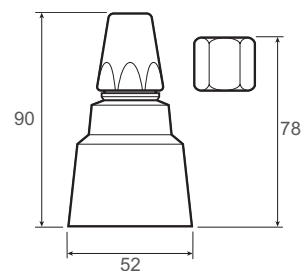
n/a

DESCRIPTION

A white swivel spray head in engineering plastic with 1/2" BSP male/female connection.

- White ball swivel shower head
- 1/2" BSP male/female connections
- White engineering plastic with chrome connections
- Single spray pattern

DIMENSIONS (MM)





RADA SH16 SPRAY HEAD - WHITE

PRODUCT IMAGE



PRODUCT INFORMATION

PRODUCT CODE

1.0.099.62.2

WEB

www.radacontrols.com/en/products/all-products/rada-sh16-spray-head-white/

COMPLIMENTARY PRODUCTS

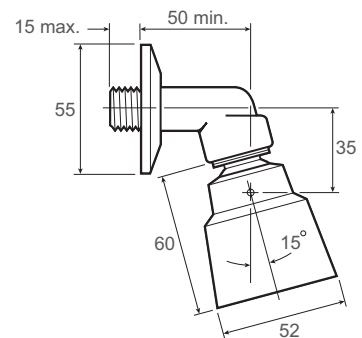
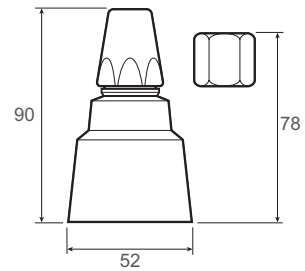
n/a

DESCRIPTION

A white non-swivel spray head in engineering plastic with 1/2" BSP male/female connections.

- Rigid shower head
- 1/2" BSP male/female connections
- White engineering plastic with chrome connections
- Single spray pattern

DIMENSIONS (MM)





RADA BSR S 300 - CHROME

PRODUCT IMAGE



PRODUCT INFORMATION

PRODUCT CODE

1.0.108.44.1

WEB

www.radacontrols.com/en/products/all-products/rada-bsr-s300-shower-fitting/

COMPLIMENTARY PRODUCTS

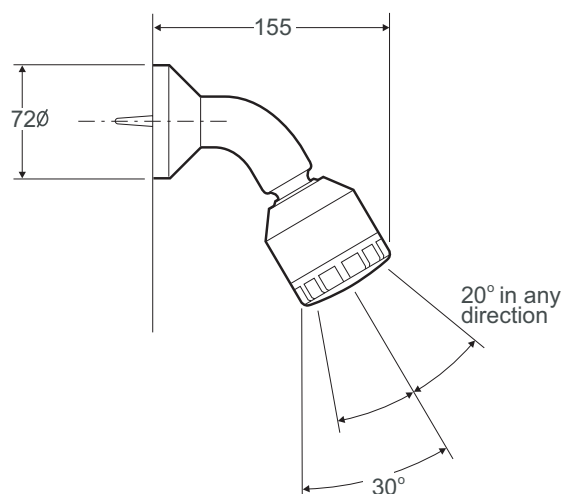
n/a

DESCRIPTION

Rigid shower fitting featuring a swivel shower head and 1/2" BSP nipple for connection to concealed pipework.

- Durable polished chrome finish
- Copper alloy rigid shower arm
- Chrome plated flexible shower head
- Variable spray pattern
- 1/2" BSP male nipple for concealed pipework connections
- Connections: 1/2" BSP parallel nipple for connection to concealed pipe work

DIMENSIONS (MM)





RADA AUTOTHERM-3 EV BATH/SHOWER FITTINGS

PRODUCT IMAGE



DESCRIPTION

Bath/shower kit, supplied with 1.5m hose, 3 mode adjustable chrome handset, slide bar, hose retaining ring and soap dish. Easy to use 'turn and lock' slider mechanism.

- Slide rail kit in easy to clean chrome finish
- Supplied with 3 mode handset
- 1.5m hose, suitable for connection to bath/ shower mixer
- Connections: 1/2" BSP

PRODUCT INFORMATION

PRODUCT CODE

1.1533.117

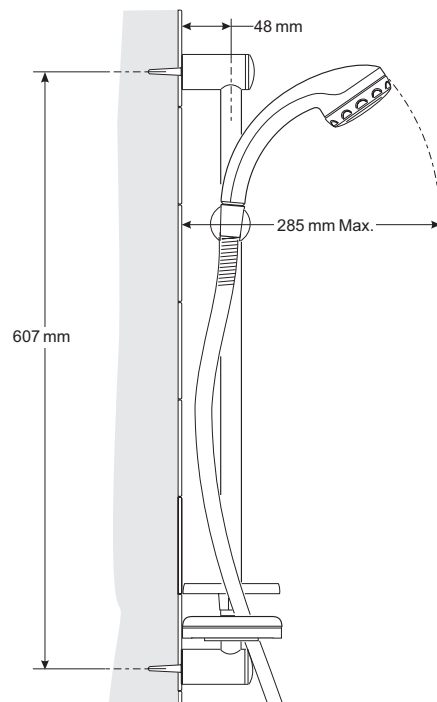
WEB

www.radacontrols.com/en/products/all-products/rada-autotherm-3-ev-shower-fittings/

COMPLIMENTARY PRODUCTS

n/a

DIMENSIONS (MM)





RADA BSM

BATH/SHOWER FITTINGS

PRODUCT IMAGE



DESCRIPTION

Bath/shower fittings including 3 mode adjustable chrome handset, slide bar, 1.5m hose and soap dish.

- Slide rail kit in easy to clean chrome finish
- Supplied with 3 mode handset
- 1.5m hose, suitable for connection to bath/ shower mixer
- Connections: ½" BSP

PRODUCT INFORMATION

PRODUCT CODE

1.1533.247

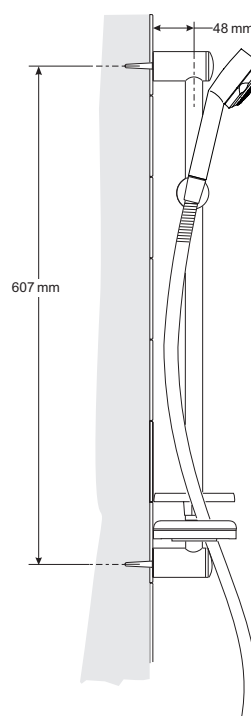
WEB

www.radacontrols.com/en/products/all-products/rada-bsm-bath-shower-fittings/

COMPLIMENTARY PRODUCTS

n/a

DIMENSIONS (MM)





RADA SF1 10 EV SHOWER FITTINGS

PRODUCT IMAGE



PRODUCT INFORMATION

PRODUCT CODE

72964-CP

WEB

www.radacontrols.com/en/products/all-products/rada-sf1-10-ev/

COMPLIMENTARY PRODUCTS

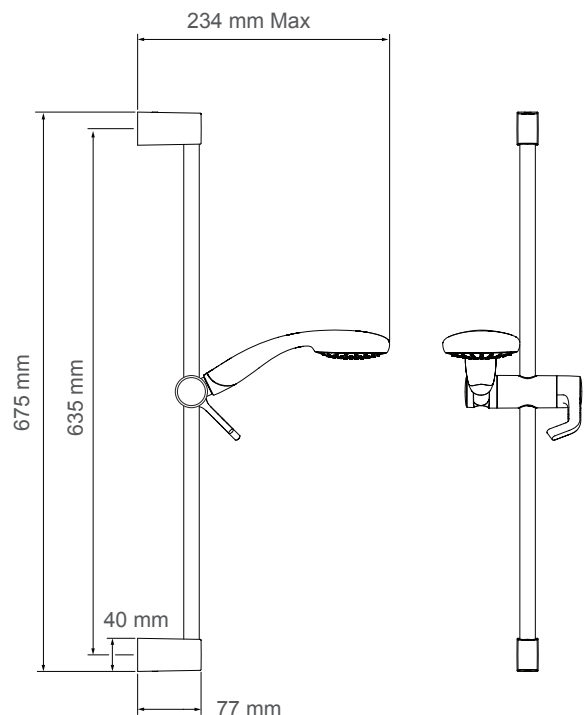
n/a

DESCRIPTION

Shower fittings kit with chrome hand shower, smooth hose and 675mm slide rail.

- Single mode removable spray plate
- Silicone nozzle mat – removable for cleaning
- 1.25 m smooth, easy-clean hose
- Easy one-handed height adjustment of hand shower
- 675 mm slide rail
- 8 L/min flow regulator supplied

DIMENSIONS (MM)





RADA SF1 10 BIV SHOWER FITTINGS

PRODUCT IMAGE



DESCRIPTION

Shower fittings kit with chrome hand shower, hose and slide rail.

- Single mode removable spray plate
- 1.25m hose / 675mm slide rail
- RAC with internal brass pipe
- 8 litres per minute flow regulator supplied
- Silicone nozzle mat – removable for cleaning
- 1.25 m smooth, easy-clean hose
- Easy one-handed height adjustment of hand shower

PRODUCT INFORMATION

PRODUCT CODE

72960-CP

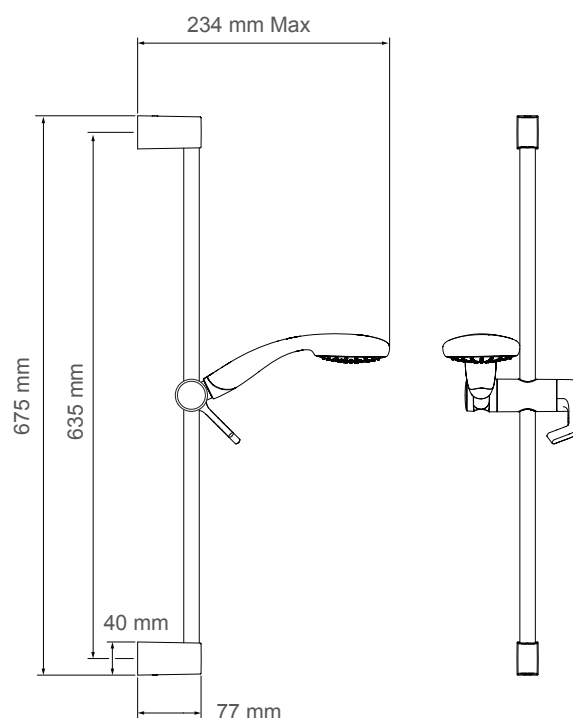
WEB

www.radacontrols.com/en/products/all-products/rada-sf1-10-biv/

COMPLIMENTARY PRODUCTS

n/a

DIMENSIONS (MM)





RADA SF1 20 EV SHOWER FITTINGS

PRODUCT IMAGE



DESCRIPTION

Shower fittings kit with hand shower, 1.5 m hose and 1.0 m slide rail.

- Single mode removable spray plate
- Silicone nozzle mat – removable for cleaning
- 1.5 m smooth, easy-clean hose
- Easy one-handed height adjustment of hand shower
- 1.0 m slide rail
- 8 L/min flow regulator supplied

PRODUCT INFORMATION

PRODUCT CODE

72965-CP

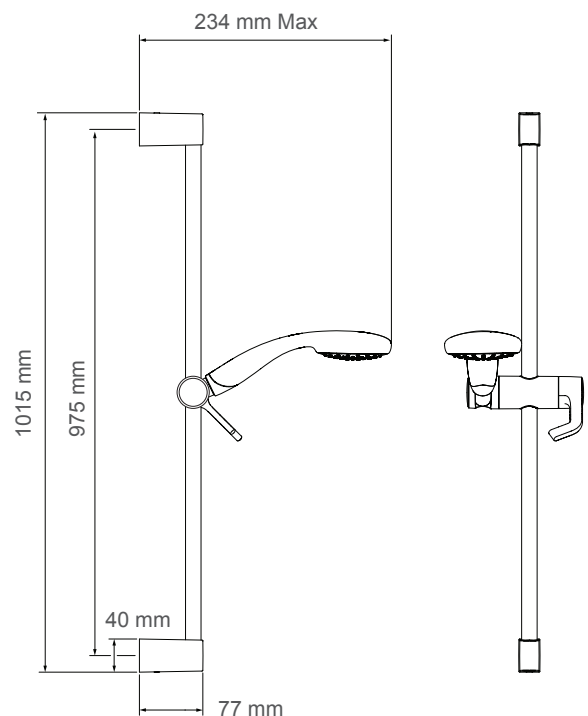
WEB

www.radacontrols.com/en/products/all-products/rada-sf1-20-ev/

COMPLIMENTARY PRODUCTS

n/a

DIMENSIONS (MM)





RADA SF1 20 BIV SHOWER FITTINGS

PRODUCT IMAGE



DESCRIPTION

Shower fittings kit with chrome hand shower, hose and 1.0m slide rail.

- Single mode removable spray plate
- Silicone nozzle mat – removable for cleaning
- 1.5 m smooth, easy-clean hose
- Easy one-handed height adjustment of hand shower
- 1.0 m slide rail
- Wall connection with internal brass pipe
- 8 L/min flow regulator supplied

PRODUCT INFORMATION

PRODUCT CODE

72961-CP

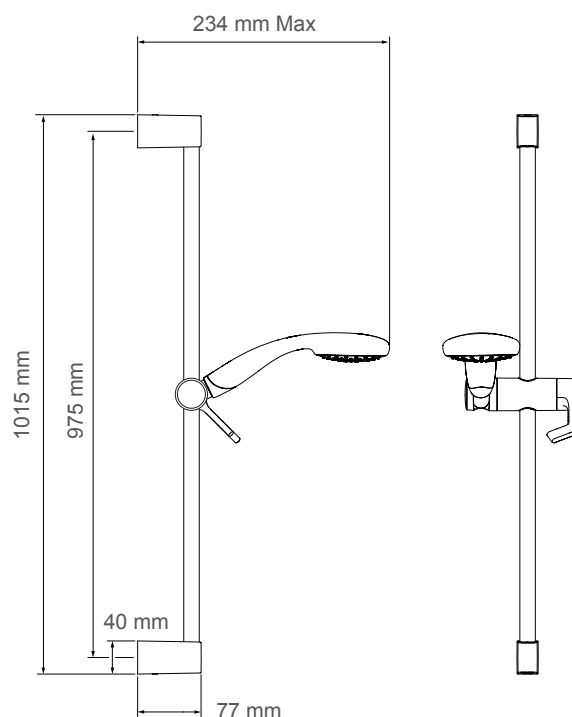
WEB

www.radacontrols.com/en/products/all-products/rada-sf1-20-biv/

COMPLIMENTARY PRODUCTS

n/a

DIMENSIONS (MM)





RADA SH1 UK SHOWER FITTINGS

PRODUCT IMAGE



PRODUCT INFORMATION

PRODUCT CODE

72966-CP

WEB

www.radacontrols.com/en/products/all-products/rada-sh1-uk/

COMPLIMENTARY PRODUCTS

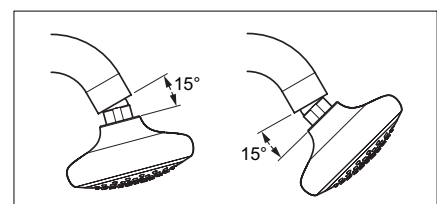
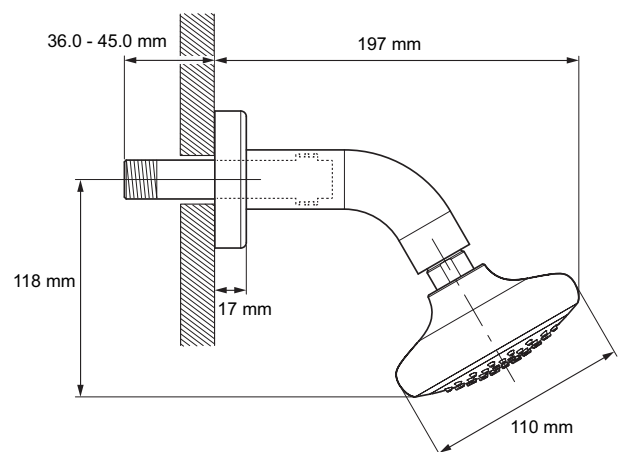
n/a

DESCRIPTION

A Chrome plated fixed shower with swivel head for connection to concealed pipework.

- Single mode removable spray plate
- Silicone nozzle mat – removable for cleaning
- Adjustable head angle
- 8 L/min flow regulator supplied

DIMENSIONS (MM)



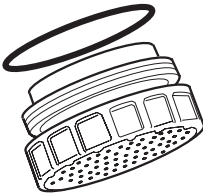
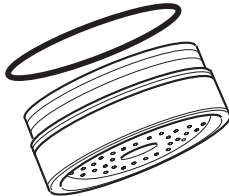
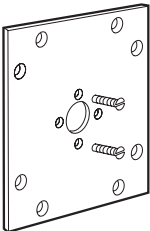

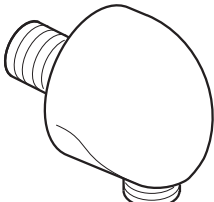


RADA ACCESSORIES

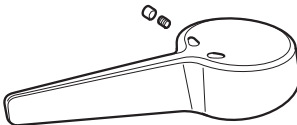
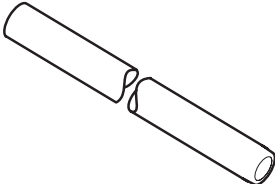
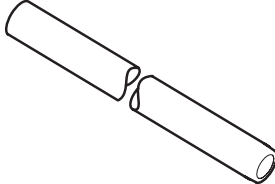
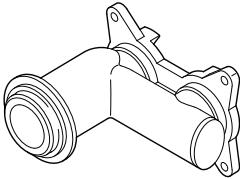

Here you will find details of Rada's comprehensive range of accessory products.

These include security kits which prevent showerheads being removed from the wall, replacement cartridges for Rada's vandal-resistant showerheads, individual solenoid valves, plus the full range of non-touch sensors which complement the Pulse electronic washroom system. Together these accessory products enable the Rada customer to ensure that their washroom solutions operate at maximum efficiency at all times.

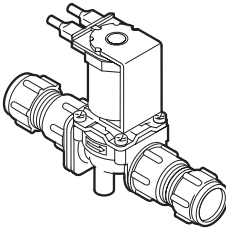
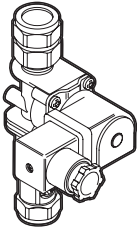
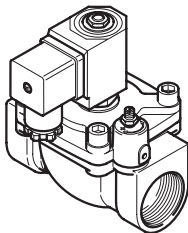
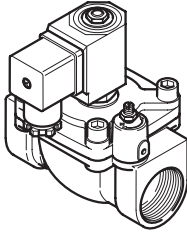
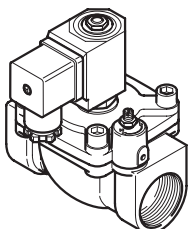
ACCESSORIES

PRODUCT IMAGE	PRODUCT INFORMATION	PRODUCT CODE
	<p>RADA 300R CARTRIDGE Chrome</p> <p>Adjustable spray cartridge for use with Rada VR Shower head range. Offering a choice of spray patterns - start, active, relax.</p>	Rada 300R - 1.0.098.87.1
	<p>RADA 310R CARTRIDGE Chrome</p> <p>Push clean spray cartridge for use with Rada VR shower head range. Particularly suitable for use in hard water areas.</p>	Rada 310R - 1.0.098.88.1
	<p>RADA VR SECURITY KIT Chrome</p> <p>Concealed mounting plate for use with Rada VR105 for higher level of vandal resistance.</p>	Rada VR Security Kit - 5.936.94.1.0
	<p>RADA AD35 NIPPLE</p> <p>1/2" BSP extended connection nipple.</p>	<p>Rada AD35 Nipple 250mm - 1.555.74.2.0</p> <p>Rada AD35 Nipple 200mm - 1.1531.049</p>
	<p>RADA RAC ACCESSORY</p> <p>Comprising right angled connector elbow. Converts Rada EV Shower Fittings into BIV (built-in).</p>	Rada RAC Accessory - 1.1642.014

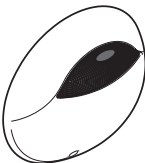

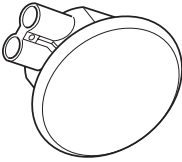
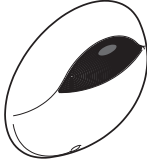
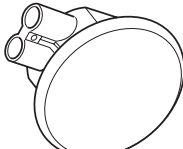
ACCESSORIES

PRODUCT IMAGE	PRODUCT INFORMATION	PRODUCT CODE
	<p>RADA THERMOTAP-3 LONG LEVER UPGRADE KIT</p> <p>Conversion kit to turn old style Thermotap bodies into 150mm long lever versions.</p>	<p>Rada Long Lever Upgrade Kit Thermotap - 1.1555.019</p>
	<p>RADA V10 RIGID RISER ACCESSORY</p> <p>Designed to connect the Rada V10 Exposed Shower valve to either the Rada VR145 or RadaVR2-ES Showerheads.</p>	<p>Rada V10 Rigid Riser Accessory 1.1651.020</p>
	<p>RADA RISER PIPE</p> <p>For use in conjunction with Rada VR125/VR145.</p>	<p>Rada Riser Pipe - 5.936.03.1.0</p>
	<p>RADA OUTLOOK OUTLET BY-PASS ADAPTOR</p> <p>To channel an unused outlet to an open outlet. Useful when there are less than six outlets utilised. Eliminates water 'dead spots' where bacteria can spread.</p>	<p>Rada Outlook By-pass Adaptor 1.1621.115</p>
	<p>RADA OUTLOOK RS485 SOCKET</p> <p>RS485 cable to connect the RS485 Converter to a Sensor Box within a network. The network is then accessible via laptop/PC at that point.</p>	<p>Rada Outlook RS485 Socket 1.1621.116</p>

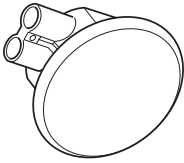
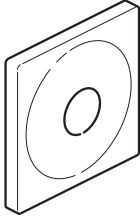
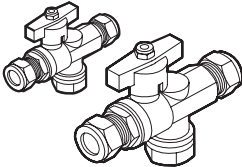
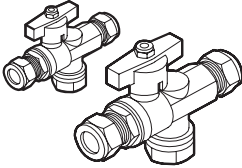
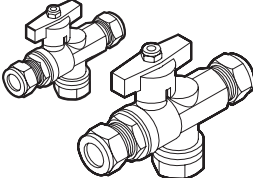
ACCESSORIES

PRODUCT IMAGE	PRODUCT INFORMATION	PRODUCT CODE
	<p>RADA SV1015 12V (BETA) $\frac{1}{2}$" solenoid valve with 15mm compression connections and ball valve (12V).</p>	<p>Rada SV1015 12v (BETA) 1.1495.002</p>
	<p>RADA SV1015 12V (MULLER) $\frac{1}{2}$" solenoid valve with 15mm compression connections and ball valve.</p>	<p>Rada SV1015 12v (MULLER) 1.1495.062</p>
	<p>RADA SV2022 12V $\frac{3}{4}$" solenoid valve made from brass with $\frac{3}{4}$" BSP female connections.</p>	<p>Rada SV2022 12v - 2.1.094.45.1</p>
	<p>RADA SV2028 12V 1" solenoid valve made from brass with 1" BSP female connections.</p>	<p>Rada SV2028 12v - 2.1.094.46.1</p>
	<p>RADA SV3022 12V $\frac{3}{4}$" solenoid valve made from brass with $\frac{3}{4}$" BSP female connections.</p>	<p>Rada SV3022 12v - 2.1.094.47.1</p>

ACCESSORIES

PRODUCT IMAGE	PRODUCT INFORMATION	PRODUCT CODE
	<p>RADA PULSE 120 - SHOWERING AND HAND WASHING Chrome</p> <p>Surface mounted infra-red sensor no-touch operation.</p>	<p>Rada Pulse 120 sensor - 2.1.093.87.1</p>
	<p>RADA PULSE 129 (900EKA) -SHOWERING AND HAND WASHING Chrome</p> <p>Surface mounted infra-red sensor no-touch operation.</p>	<p>Rada Pulse 129 (900EKA) Showering and Hand Washing - 2.1.094.55.1</p>
	<p>RADA PULSE 124 - SINGLE WASH BASIN Chrome</p> <p>Ceiling mounted no-touch passive infra-red sensor.</p>	<p>Rada Pulse 124 Single Washbasin 2.1.093.89.2</p>
	<p>RADA PULSE 122 - SINGLE URINAL Chrome</p> <p>Surface mounted infra-red sensor no-touch operation.</p>	<p>Rada Pulse 122 Single Urinal 2.1.093.88.1</p>
	<p>RADA PULSE 125 - SINGLE URINAL White</p> <p>Ceiling mounted no-touch passive infra-red sensor.</p>	<p>Rada Pulse 125 Single Urinal 2.1.093.90.2</p>




ACCESSORIES

PRODUCT IMAGE	PRODUCT INFORMATION	PRODUCT CODE
	<p>RADA PULSE 126 - GROUP URINAL White</p> <p>Ceiling mounted no-touch passive infra-red sensor.</p>	<p>Rada Pulse 126 GROUP Urinal 2.1.093.91.2</p>
	<p>RADA LR SENSOR Chrome</p> <p>Ligature resistant active infra-red sensor.</p>	<p>Rada LR Sensor - 1.1640.003</p>
	<p>RADA MEYNELL 15MM ISOLATING STRAINER UNITS Nickel Plate</p> <p>15mm isolating strainer units supplied in pairs with blue and red lever controls.</p>	<p>Rada Meynell 15mm Isolating Strainer Units - SPVE0018J</p>
	<p>RADA MEYNELL 22MM ISOLATING STRAINER UNITS Nickel Plate</p> <p>22mm isolating strainer units supplied in pairs with blue and red lever controls.</p>	<p>Rada Meynell 22mm Isolating Strainer Units - SPVE0017J</p>
	<p>RADA MEYNELL 15MM ISOLATING STRAINER UNITS WITH CHECK VALVES Nickel Plate</p> <p>15mm isolating strainer units with check valves supplied in pairs with blue and red lever controls.</p>	<p>Rada Meynell 15mm Isolating Strainer Units With Check Valves SPVE0016J</p>

ACCESSORIES

PRODUCT IMAGE	PRODUCT INFORMATION	PRODUCT CODE
	<p>3.0M CABLE ACCESSORY KIT</p> <p>Length of cable to be used with Rada Pulse sensor, supplied coiled with 2 pcs. cable connectors.</p>	<p>Rada 3.0m Cable Accessory Kit 1.1495.117</p>
	<p>V12 TEMPERATURE INDICATOR TRIM</p> <p>Indicator Trim with Enhanced Temperature Graphics</p>	<p>Rada V12 Indicator Trim - 1.1651.175</p>
	<p>SMOOTH HOSE/RING</p> <p>1.25m CAT 5 Hose/Ring</p>	<p>Rada SF1 40 Hose/Ring - 19027-NA</p>
	<p>SMOOTH HOSES</p> <p>1.25m (SF1 50) or 1.5m (SF1 55) smooth hoses.</p>	<p>Rada SF1 50 Hose 1.25m - 76125-NA Rada SF1 55 Hose 1.5m - 76126-NA</p>
	<p>SINGLE MODE HANDSET & COLOURED RINGS</p> <p>Single mode shower handset & coloured rings.</p>	<p>Rada SF1 60 SM Handset - 77322-CP Rada SF1 65 Coloured rings - 78156-NA</p>

ACCESSORIES

PRODUCT IMAGE	PRODUCT INFORMATION	PRODUCT CODE
 A small, rectangular, light grey network box with two RJ45 ports on the right side and two screws on the top left.	INTELLIGENT CARE NETWORK BOX Network box for Rada Intelligent Care products.	Rada IC Network Box - ACI 2
 A black network extension cable with RJ45 connectors at both ends.	2.5M EXTENSION CABLE Length of cable to be used with Intelligent Care products.	Rada 2.5m Extension Cable - ACI 8
 A light grey rectangular end of line kit with a power jack on the left and two RJ45 ports on the right, connected to a black network cable.	INTELLIGENT CARE END OF LINE KIT End of line kit for networking Intelligent Care products.	Rada IC End of Line Kit - ACI 11

KOHLER SANITARY WARE

Design has always embraced a certain level of self-expression. Unlike the days when tastemakers expressed themselves and the world adjusted, today personal style is truly at the heart of design. The objects you surround yourself with, the ideas you're passionate about, and how you want to feel —these are the important details in design. Quite simply, you and your personality are the key ingredients.

At Kohler, we make it our business to help you create washroom spaces that work for you.

KOHLER CANDIDE CLOSE COUPLED TOILET

PRODUCT IMAGE



DESCRIPTION

The Candide Close Coupled Toilet offers a contemporary, luxury design with a distinctive oval shape.

- 683 mm Projection
- Cistern has pre-fitted flush mechanism, bottom outlet & internal flow
- Pan fixings included
- White Vitreous China

PRODUCT INFORMATION

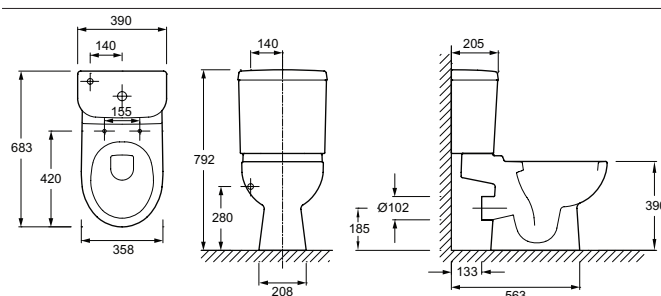
PRODUCT CODE

Close coupled toilet pan - 18150W-00
Cistern dual flush 3/6L - 18151W-00

WEB

www.kohler.co.uk/bathroom-suites/candide/

DIMENSIONS (MM)



KOHLER PANACHE CLOSE COUPLED TOILET

PRODUCT IMAGE



DESCRIPTION

This modern toilet boasts durability and longevity. Made from materials exceeding industry standards.

- 650 mm projection
- Cistern has pre-fitted flush mechanism, bottom outlet & internal overflow
- Semi concealed fixing method, fixings included
- White Vitreous China

PRODUCT INFORMATION

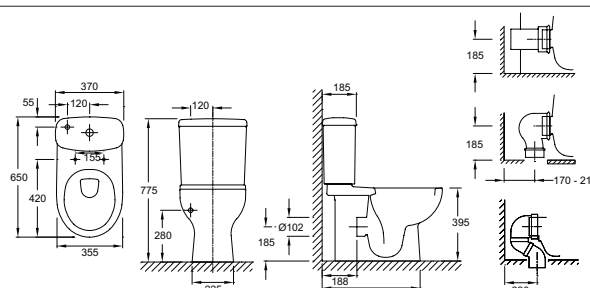
PRODUCT CODE

Close coupled toilet pan - 18152W
Cistern dual flush 3/6L - 18153W-00
Slow close toilet seat - E70008-00

WEB

www.kohler.co.uk/bathroom-suites/panache/

DIMENSIONS (MM)



KOHLER PANACHE BACK-TO-WALL TOILET

PRODUCT IMAGE



DESCRIPTION

A statement of contemporary design, the Panache back-to-wall vario toilet is designed with sleek minimalism in mind.

- 550 mm projection
- Contemporary, space saving design
- White Vitreous China
- Combines with fitted furniture

PRODUCT INFORMATION

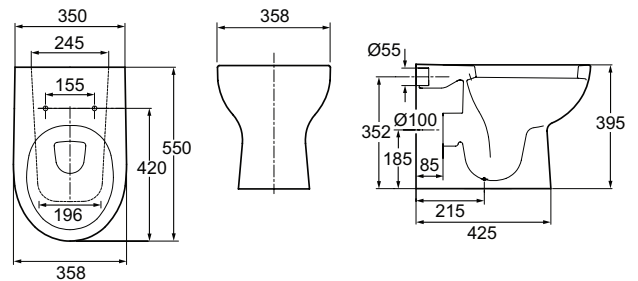
PRODUCT CODE

Back- to-wall toilet pan - 18154W
 Concealed cistern dual flush 3/6L - E4324-NF
 Slow close toilet seat - E70008-00

WEB

www.kohler.co.uk/bathroom-suites/panache/

DIMENSIONS (MM)



KOHLER REACH CLOSE COUPLED TOILET

PRODUCT IMAGE



DESCRIPTION

Distinctive design formed by a subtle fusion of curves and angles.

- 670 mm projection
- Open backed pan allows piping in any direction
- Standard height
- White Vitreous China

PRODUCT INFORMATION

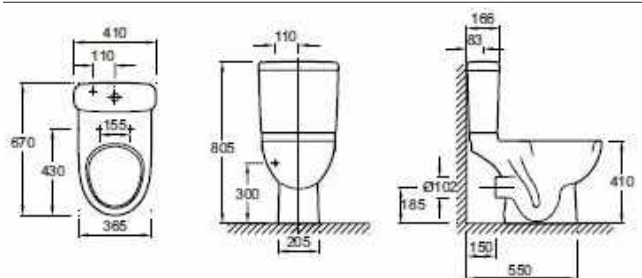
PRODUCT CODE

Close coupled toilet pan - 4956CK-00
 Cistern dual flush 2.6/4 - 18581W-00
 Standard toilet seat - 8407K-00

WEB

www.kohler.co.uk/bathroom-suites/reach/

DIMENSIONS (MM)



KOHLER REACH WALL HUNG TOILET

PRODUCT IMAGE



DESCRIPTION

Distinctive design formed by a subtle fusion of curves and angles.

- 540 mm Projection
- Wall Hung pan
- Easy to clean design
- White Vitreous China

PRODUCT INFORMATION

PRODUCT CODE

Wall hung toilet pan - 4952K-00

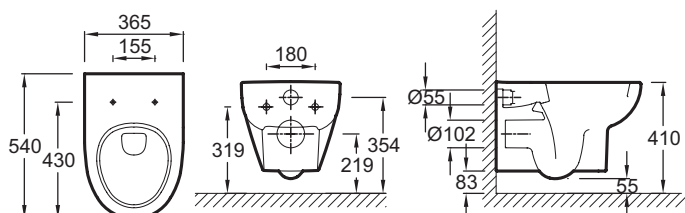
Wall hung support frame with cistern - E4313-NF

Flush plate, polished chrome - 8848K-00

WEB

www.kohler.co.uk/bathroom-suites/reach/

DIMENSIONS (MM)



KOHLER REPLAY BACK-TO-WALL TOILET

PRODUCT IMAGE



DESCRIPTION

This modern toilet boasts durability and longevity. Made from materials exceeding industry standards.

- 570 mm Projection
- Contemporary, space saving design
- White Vitreous China

PRODUCT INFORMATION

PRODUCT CODE

Back-to-wall vario toilet pan - 4476K

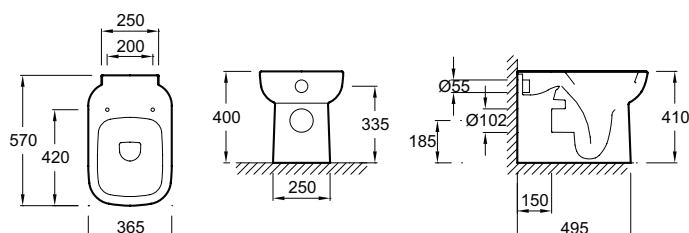
Standard toilet seat - 4964K-00

Concealed cistern dual flush 3/6L - E4324-NF

WEB

www.kohler.co.uk/bathroom-suites/reach-replay/

DIMENSIONS (MM)



KOHLER REPLAY WALL HUNG TOILET

PRODUCT IMAGE



DESCRIPTION

This modern toilet boasts durability and longevity. Made from materials exceeding industry standards.

- 540 mm Projection
- Wall Hung pan with fluid soft curves allow Replay to fit in with any bathroom design
- Easy to clean design
- White Vitreous China

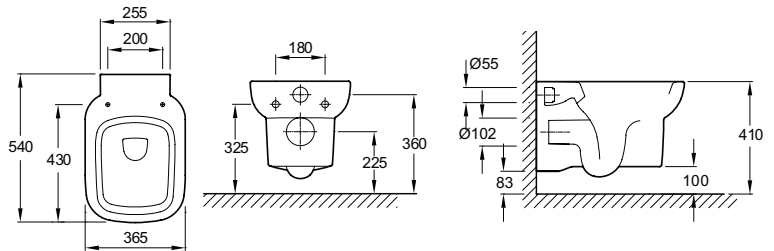
PRODUCT INFORMATION

PRODUCT CODE

Wall hung toilet pan - 4843K
 Standard toilet seat - 4964K-00
 Wall frame with 3/6L cistern - E4313-NF
 Flush plate, polished chrome - 8848K-CP
WEB

www.kohler.co.uk/bathroom-suites/reach-replay/

DIMENSIONS (MM)



KOHLER RÊVE RIMLESS BACK-TO-WALL TOILET

PRODUCT IMAGE



DESCRIPTION

The perfect addition to any designer bathroom, this unique design boasts glorious shape and smooth yet structured corners. Crafted from high quality materials.

- 560 mm projection
- Contemporary, space saving design
- White Vitreous China

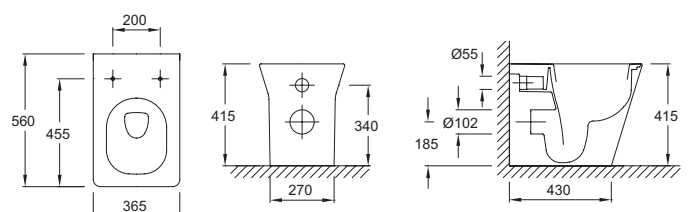
PRODUCT INFORMATION

PRODUCT CODE

Back-to-wall toilet with seat - 5038K
 Concealed cistern dual flush 3/6L - E4324-NF
 Flush plate, polished chrome - 8848K-CP
WEB

www.kohler.co.uk/toilets/back-to-wall/reve-rimless-back-to-wall-toilet-pan/

DIMENSIONS (MM)



KOHLER RÊVE RIMLESS WALL HUNG TOILET

PRODUCT IMAGE



DESCRIPTION

The perfect addition to any designer bathroom, this unique design boasts glorious shape and smooth yet structured corners. Crafted from high quality materials.

- 560 mm projection
- Wall Hung pan
- White Vitreous China

PRODUCT INFORMATION

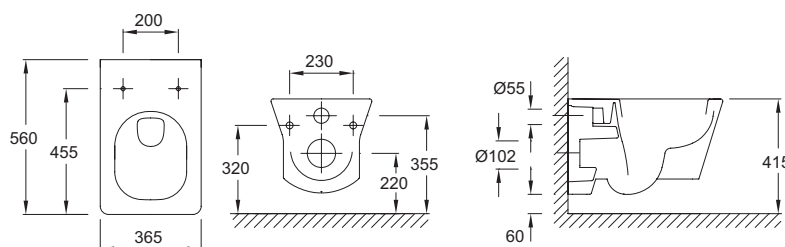
PRODUCT CODE

Wall hung toilet with slow close seat - 5036K
 Wall hung support frame with cistern - E4313-NF
 Flush plate, polished chrome - 8848K-CP

WEB

www.kohler.co.uk/toilets/wall-hung/reve-rimless-wall-hung-toilet-pan/

DIMENSIONS (MM)



KOHLER HYDRO TOWER 300 IN-WALL TANK

PRODUCT IMAGE



DESCRIPTION

In-wall toilet cistern.

- 3/4.5 litre tank
- Built-in

PRODUCT INFORMATION

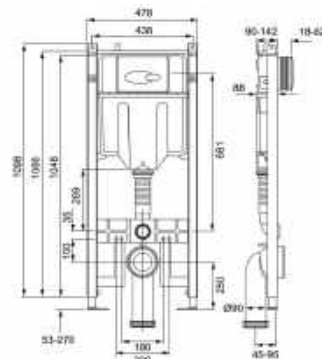
PRODUCT CODE

Hydro Tower 300 In-wall Tank, 3/4.5L - 4179W

WEB

www.kohler.co.uk/toilets/wall-hung/hydro-tower-300-in-wall-tank/

DIMENSIONS (MM)



KOHLER BARDON URINAL, REAR SPUD

PRODUCT IMAGE



PRODUCT INFORMATION

PRODUCT CODE

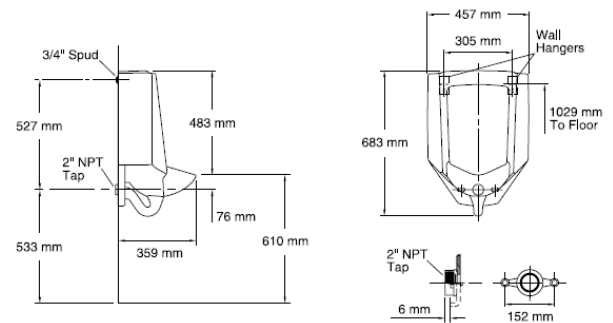
Bardon urinal - C4991-ER-0

DESCRIPTION

New design aesthetic with elevated urinal shelf and bolder contemporary design lines.

- Enhanced geometry to maintain leadership as one of the industry's best performers in limiting splash-back
- Increased trapway diameter allows for accelerated drain flow
- White Vitreous China

DIMENSIONS (MM)



KOHLER CAXTON UNDER-MOUNT BASIN

PRODUCT IMAGE



PRODUCT INFORMATION

PRODUCT CODE

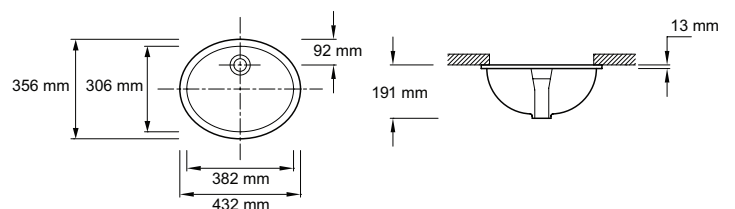
2209

DESCRIPTION

Caxton has a simple, streamlined design that's as versatile as it is attractive. This easy-to-clean basin combines the sleek look of an integrated basin with a timeless design that suits both traditional and modern bathroom decors. Caxton creates a sleek transition from the smooth oval basin to just about any solid-surface countertop.

- White Vitreous China
- with overflow

DIMENSIONS (MM)



KOHLER KATHRYN UNDER-MOUNT BASIN

PRODUCT IMAGE



DESCRIPTION

Rectangular basin with glazed underside works beautifully for countertop installations.

- No tap hole, 502mm
- With overflow
- White Vitreous China

PRODUCT INFORMATION

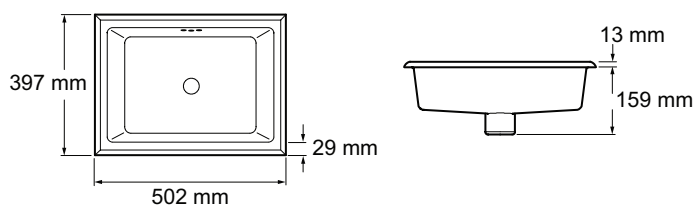
PRODUCT CODE

2330-G-0

WEB

www.kohler.co.uk/washbasins/undercounter/kathryn-502mm-under-mount-basin/

DIMENSIONS (MM)



LADENA UNDER-MOUNT BASIN

PRODUCT IMAGE



DESCRIPTION

Spacious undercounter design. Features a smooth glazed rim

- with overflow waste
- Weight: 23.9kg

PRODUCT INFORMATION

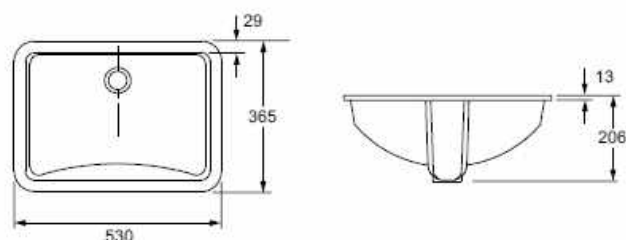
PRODUCT CODE

2214-0

WEB

www.kohler.co.uk/washbasins/undercounter/ladena-457mm-under-mount-basin/

DIMENSIONS (MM)



KOHLER VOX ROUND VESSELS BASIN

PRODUCT IMAGE



DESCRIPTION

Sleek and contemporary, the Vox Round vessel-style basin features a spherical basin and simple silhouette in true minimalist fashion. Countertop installation ensures this basin will stand out in your bathroom as a striking focal point.

- Includes overflow drain

PRODUCT INFORMATION

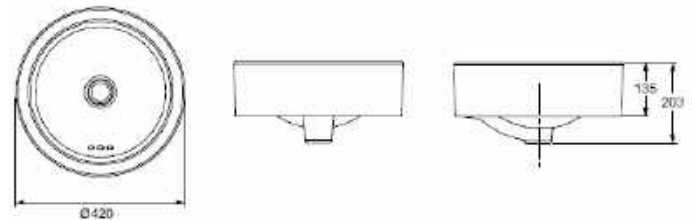
PRODUCT CODE

14800-0

WEB

www.kohler.co.uk/washbasins/vessel-feature/vox-round-vessels-basin-420mm/

DIMENSIONS (MM)



KOHLER VOX RECTANGULAR VESSELS BASIN

PRODUCT IMAGE



DESCRIPTION

Sleek and contemporary, the Vox Rectangle vessel-style basin features a wide, shallow basin and rounded edges in true minimalist fashion. Countertop installation ensures this basin will stand out in your bathroom as a striking focal point.

- 1 tap hole, 584x460mm
- with overflow

PRODUCT INFORMATION

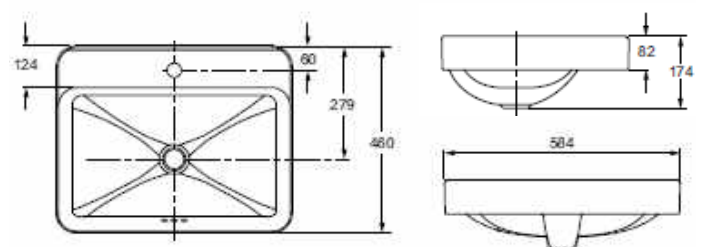
PRODUCT CODE

2660-1-0

WEB

www.kohler.co.uk/washbasins/vessel-feature/vox-rectangular-vessels-basin-with-1-tap-hole-584x460mm/

DIMENSIONS (MM)



KOHLER VOX SQUARE VESSEL BASIN

PRODUCT IMAGE



DESCRIPTION

Sleek and contemporary, the Vox Square vessel-style basin features a symmetrical, deep basin and rounded edges in true minimalist fashion. Countertop installation ensures this basin will stand out in your bathroom as a striking focal point.

- No tap hole, 413mm
- with overflow

PRODUCT INFORMATION

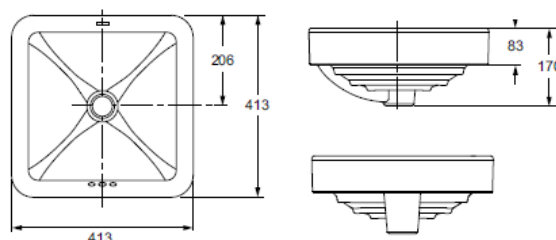
PRODUCT CODE

2661-0

WEB

www.kohler.co.uk/washbasins/vessel-feature/vox-square-vessel-basin-413mm/

DIMENSIONS (MM)



KOHLER CANDIDE 560MM WASHBASIN

PRODUCT IMAGE



DESCRIPTION

Simple, versatile basin design.

- 1 tap hole
- Wall fixing & levelling kit included
- White Vitreous China

PRODUCT INFORMATION

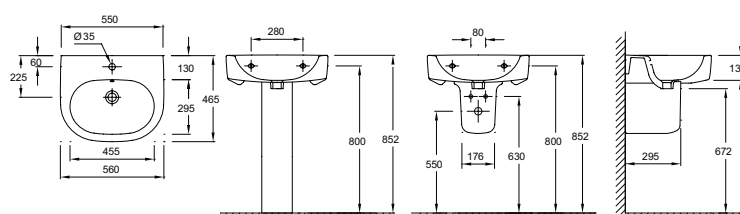
PRODUCT CODE

washbasin - 17150W
full pedestal - 17153W-00
semi-pedestal - 17154W-00

WEB

www.kohler.co.uk/bathroom-suites/candide/

DIMENSIONS (MM)



KOHLER PANACHE 560MM WASHBASIN

PRODUCT IMAGE



PRODUCT INFORMATION

PRODUCT CODE

washbasin - 17155W

full pedestal - 17153W-00

semi-pedestal - 17154W-00

WEB

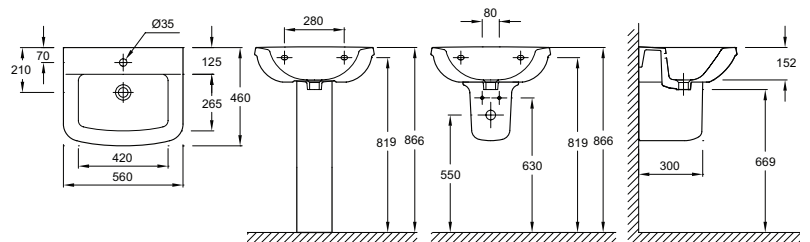
www.kohler.co.uk/bathroom-suites/panache/

DESCRIPTION

Contemporary styling with good basin area.

- Wall fixing & levelling kits included
- 1 tap hole
- White Vitreous China

DIMENSIONS (MM)



KOHLER PANACHE 560MM SEMI-RECESSED BASIN

PRODUCT IMAGE



PRODUCT INFORMATION

PRODUCT CODE

17158W

WEB

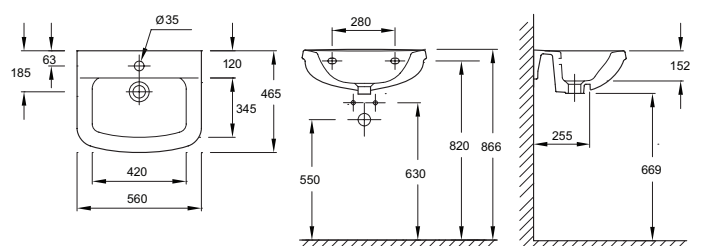
www.kohler.co.uk/bathroom-suites/panache/

DESCRIPTION

Contemporary, space saving design.

- 1 tap hole
- Combines with fitted furniture
- White Vitreous China

DIMENSIONS (MM)



KOHLER PANACHE 560MM INSET VANITY BASIN

PRODUCT IMAGE



PRODUCT INFORMATION

PRODUCT CODE

17159W

WEB

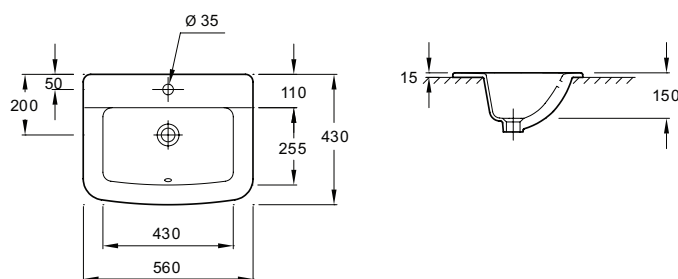
www.kohler.co.uk/bathroom-suites/panache/

DESCRIPTION

Contemporary, space saving design.

- 1 tap hole
- Combines with fitted furniture
- White Vitreous China

DIMENSIONS (MM)



KOHLER REACH 600MM WASHBASIN/VANITY TOP

PRODUCT IMAGE



PRODUCT INFORMATION

PRODUCT CODE

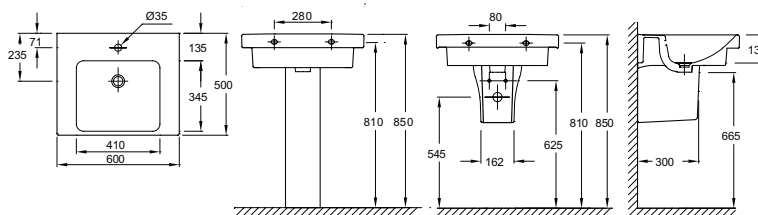
washbasin/vanity top - 4935K
 full pedestal - 18565W-00
 semi-pedestal - xxxxxxxxxxxx

DESCRIPTION

Distinctive design formed by a subtle fusion of curves and angles.

- Large flat vanity areas for storing toiletries
- Self-supporting wall mounting with fixings included
- White Fine Fireclay
- 1 tap hole

DIMENSIONS (MM)



KOHLER VOX SEMI-RECESSED BASIN, ROUND

PRODUCT IMAGE



PRODUCT INFORMATION

PRODUCT CODE

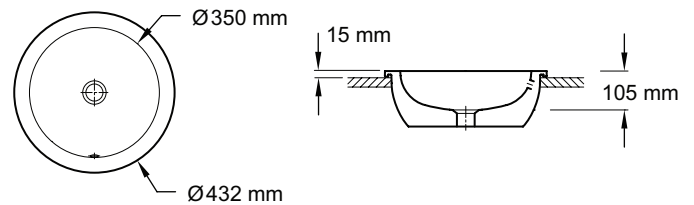
YN102K

DESCRIPTION

Semi-recessed design.

- White Vitreous China

DIMENSIONS (MM)



KOHLER ESCALE 600MM INSET VANITY BASIN

PRODUCT IMAGE



PRODUCT INFORMATION

PRODUCT CODE

19029W

WEB

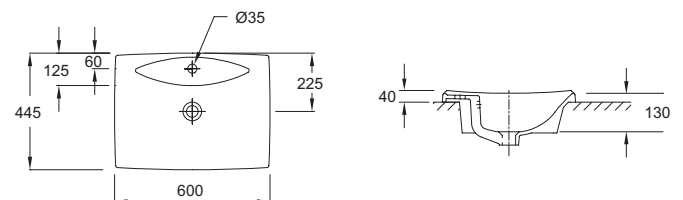
www.kohler.co.uk/bathroom-suites/escale/

DESCRIPTION

Elegant and stylish, this inset washbasin is the ideal addition to any contemporary home. Handcrafted from fine fireclay.

- White Fine Fireclay
- 1 tap hole

DIMENSIONS (MM)



KOHLER CLICKER WASTE

PRODUCT IMAGE



DESCRIPTION

Clicker waste for basins with overflow.

- Polished Chrome

PRODUCT INFORMATION

PRODUCT CODE

7124W-A

WEB

www.kohler.co.uk/taps/accessories/basin-wastes/clicker-waste/

KOHLER TOILET ROLL HOLDER, VERTICAL

PRODUCT IMAGE



DESCRIPTION

Vertical toilet roll holder.

- Stainless Steel, Polished Chrome finish
- Easy Installation, with concealed fixings
- Wall mount

PRODUCT INFORMATION

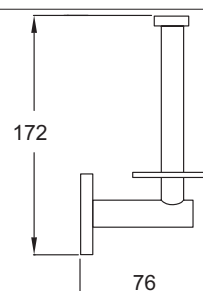
PRODUCT CODE

10700D-CP

WEB

www.kohler.co.uk/taps/accessories/bathroom-accessories/toilet-roll-holders/cross-range-toilet-roll-holder-vertical/

DIMENSIONS (MM)



KOHLER TOILET ROLL HOLDER, HORIZONTAL

PRODUCT IMAGE



DESCRIPTION

Toilet roll holder.

- Stainless Steel, Polished Chrome finish
- Easy Installation, with concealed fixings
- Wall mount
- 40 mm projection

PRODUCT INFORMATION

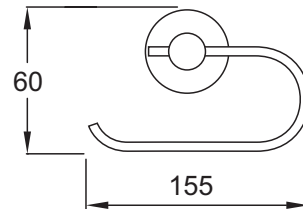
PRODUCT CODE

10704D-CP

WEB

www.kohler.co.uk/taps/accessories/bathroom-accessories/toilet-roll-holders/cross-range-toilet-roll-holder-horizontal/

DIMENSIONS (MM)



KOHLER ROBE HOOK

PRODUCT IMAGE



DESCRIPTION

Robe hook.

- Stainless Steel, Polished Chrome finish
- Easy Installation, with concealed fixings
- Wall mount
- 40 mm projection

PRODUCT INFORMATION

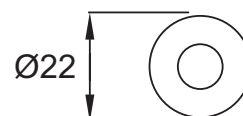
PRODUCT CODE

10713D-CP

WEB

www.kohler.co.uk/taps/accessories/bathroom-accessories/robe-hooks/cross-range-robe-hook/

DIMENSIONS (MM)





MIRA SHOWERS

We're proud of our heritage, 90 years of showering innovation. We are fascinated by water and continuously study it to make it go further and faster. We use only the highest quality materials, measured against the most stringent safety tests. Why do we do all of this? Because we know that whatever we put into a Mira isn't nearly as important as what you get out of it. An enhanced experience of water, everyday.

In this section we provide an insight into Mira's range of products. They are typically designed for domestic use, so please seek advice before specifying these product for commercial purposes.

MIRA ADVANCE ELECTRIC SHOWER

PRODUCT IMAGE



DESCRIPTION

Mira Advance is thoughtfully designed to bring you safe and reliable thermostatically controlled showering. It's the easy to use, longer-lasting shower that's accredited by experts.

- Audio enhanced
- high contrast visuals on critical touchpoints
- Mira Clearscale Pro™ anti-limescale technology
- Please note this product was designed with a domestic application in mind

PRODUCT INFORMATION

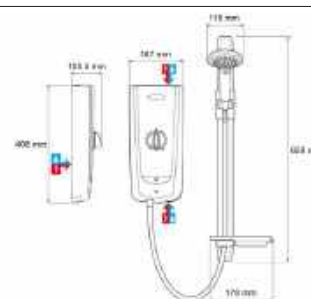
PRODUCT CODE

8.7kW - 1.1785.001
9.8kW - 1.1785.002

WEB

www.mirashowers.co.uk/showers/electric-showers/mira-advance/

DIMENSIONS (MM)



MIRA ADVANCE FLEX ELECTRIC SHOWER

PRODUCT IMAGE



DESCRIPTION

Mira Advance is thoughtfully designed to bring you safe and reliable thermostatically controlled showering. Easy to use, longer-lasting shower that's accredited by experts.

- Audio enhanced, high contrast visuals on critical touchpoints, and extra-long slide bar
- Mira Clearscale Pro™ anti-limescale technology
- Please note this product was designed with a domestic application in mind

PRODUCT INFORMATION

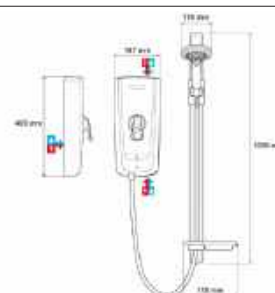
PRODUCT CODE

8.7kW - 1.1785.003
9.8kW - 1.1785.004

WEB

www.mirashowers.co.uk/showers/electric-showers/mira-advance/

DIMENSIONS (MM)



MIRA FLIGHT SAFE LOW RECTANGLE TRAY 1200X900

PRODUCT IMAGE



DESCRIPTION

Ultra slim and super safe, the Mira Flight Safe Rectangle shower tray is an anti-slip like no other. 1200x900mm option, with 4 upstands.

- BioCote® technology reduces bacteria and mould growth by 99.9%
- Made from strong acrylic capped resin stone, it's rigorously tested to prevent scratches, chips and discolouration
- Vortex waste rapidly sucks water from the tray for effective drainage
- Covered in our exclusive Mira Safe coating, this tray exceeds the most stringent independently anti-slip testing

PRODUCT INFORMATION

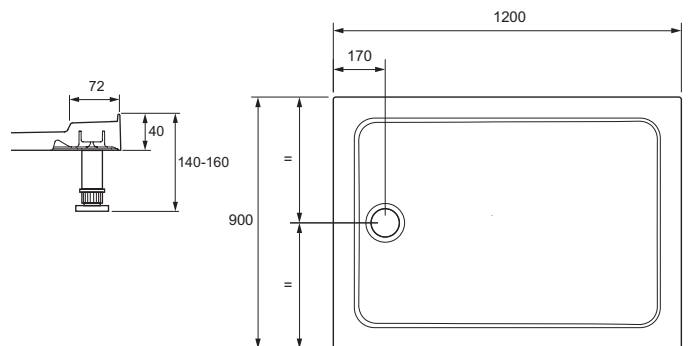
PRODUCT CODE

1.1697.490.AS

WEB

www.mirashowers.co.uk/shower-trays/mira-flight-safe-rectangle-1200-x-900-4-upstands

DIMENSIONS (MM)



MIRA FLIGHT SQUARE TRAY 760X760

PRODUCT IMAGE



DESCRIPTION

Tough, light and stylish, the Mira Flight Square shower tray includes BioCote® technology, proven to reduce bacteria by up to 99.9%. 760x760mm option.

- BioCote® technology reduces bacteria and mould growth by 99.9%
- Made from strong acrylic capped resin stone, it's rigorously tested to prevent scratches, chips and discolouration
- Walk-on waste (or plughole cover) add to the slimline, stylish finish.

PRODUCT INFORMATION

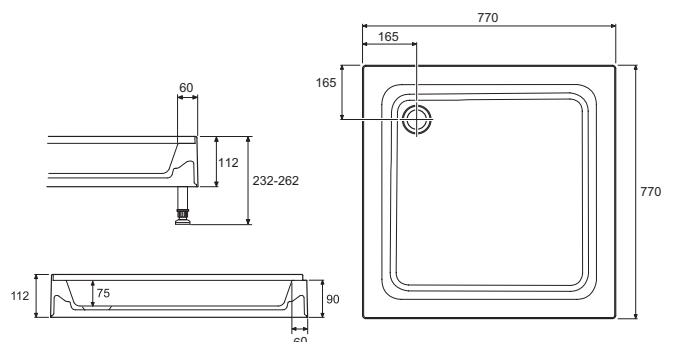
PRODUCT CODE

1.1783.004.WH

WEB

www.mirashowers.co.uk/shower-trays/mira-flight-square-760-x-760-4-upstands

DIMENSIONS (MM)



MIRA FLIGHT 1700 RISER CONVERTER KIT

PRODUCT IMAGE



PRODUCT INFORMATION

PRODUCT CODE

1.1783.107.WH

WEB

www.mirashowers.co.uk/shower-trays/mira-flight-riser-conversion-kit-flush-fit-1700-rectangle

DESCRIPTION

Includes corner and end pieces, and simple clip-on fixings for a neat finish.

- Made from strong acrylic capped resin stone, it's rigorously tested to prevent scratches, chips and discolouration
- Simple clip-on fixings
- Panel height: 100mm
- Robust adjustable push-fit riser legs

MIRA FLIGHT 1200X2010 WALL PANEL

PRODUCT IMAGE



PRODUCT INFORMATION

PRODUCT CODE

1.1669.102.WH

WEB

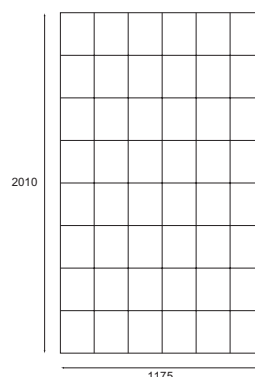
www.mirashowers.co.uk/wall-panels/mira-flight-wall-1200-full-height-wall-panel

DESCRIPTION

The hassle-free alternative to tiling, Mira Flight Wall Panels perfectly complement Mira enclosures and shower trays. 1200mm Full Height Wall Panel.

- BioCote® technology reduces bacteria and mould growth by 99.9%
- Made from strong acrylic capped resin stone, it's rigorously tested to prevent scratches, chips and discolouration
- It's durable material is simple to cut, making it easy to create a shape to your space

DIMENSIONS (MM)



MIRA ELEVATE BIFOLD DOOR 1000

PRODUCT IMAGE



DESCRIPTION

This inward opening enclosure door maximises your bathroom space. 1000mm option.

- 4mm toughened safety glass that comes with a 10 year guarantee.
- This inward opening enclosure door maximises your bathroom space. 1000mm option.
- Height from top of the tray: 1900mm
- Planet Gear hinges maintain alignment
- 25mm adjustment for uneven walls
- For alcove or corner installations

PRODUCT INFORMATION

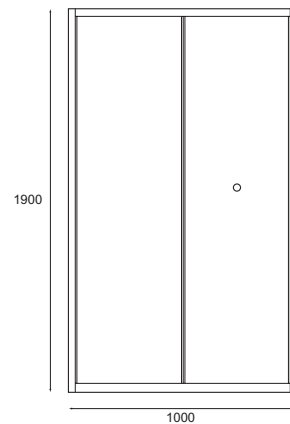
PRODUCT CODE

2.1814.008

WEB

www.mirashowers.co.uk/shower-enclosures/bi-fold/mira-elevate-bi-fold-door-1000mm

DIMENSIONS (MM)



MIRA ELEVATE SLIDER 1400

PRODUCT IMAGE



DESCRIPTION

Create a statement in your bathroom by maximising floor space with the Mira Elevate Sliding Door.

- Magnetic closing at the top and bottom of the door provides a water tight seal to prevent water escaping the shower area
- 6mm toughened safety glass that comes with a 10 year guarantee.
- 25mm adjustment for uneven walls
- For alcove or corner installations

PRODUCT INFORMATION

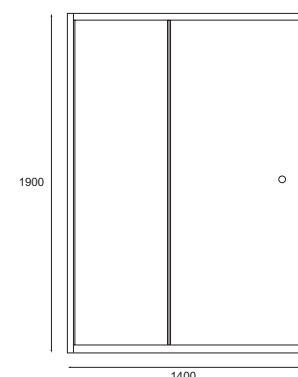
PRODUCT CODE

2.1814.012

WEB

www.mirashowers.co.uk/shower-enclosures/sliding/mira-elevate-sliding-door-1400mm

DIMENSIONS (MM)



MIRA ELEVATE PIVOT DOOR 760

PRODUCT IMAGE



DESCRIPTION

Simply pivoting on discreet hinges, the Mira Elevate Pivot Door creates a space-saving solution for your bathroom.

- 6mm toughened safety glass that comes with a 10 year guarantee for added peace of mind
- Magnetic closing at the top and bottom of the door provides a water tight seal to prevent water escaping the shower area
- Height from top of the tray: 1900mm
- 25mm adjustment for uneven walls
- For alcove or corner installations

PRODUCT INFORMATION

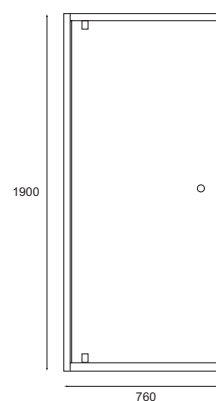
PRODUCT CODE

2.1814.001

WEB

www.mirashowers.co.uk/shower-enclosures/pivot/mira-elevate-pivot-door-760mm

DIMENSIONS (MM)



MIRA EVOLVE BASIN PILLAR TAPS

PRODUCT IMAGE



DESCRIPTION

Basin Pillar Taps created in pure geometric style with a contemporary twist

- Integrated flow straightener for ease of cleaning.
- Genuine performance even at low pressure
- KIWA UK Approved



PRODUCT INFORMATION

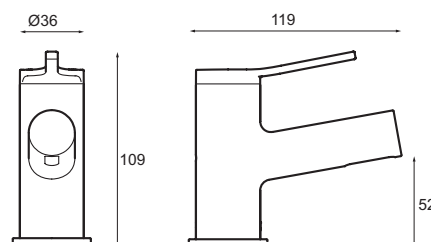
PRODUCT CODE

2.1816.002

WEB

www.mirashowers.co.uk/taps/mira-evolve-basin-pillar-taps

DIMENSIONS (MM)



MIRA COMFORT BASIN PILLAR TAPS

PRODUCT IMAGE



DESCRIPTION

Basin Pillar Taps created in pure geometric style with a contemporary twist.

- Integrated flow straightener for ease of cleaning.
- Genuine performance even at low pressure
- KIWA UK Approved



PRODUCT INFORMATION

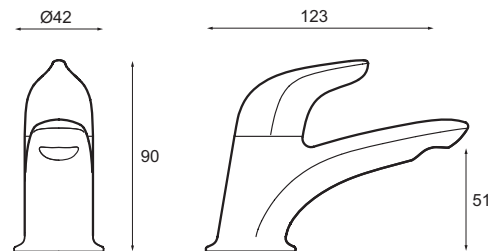
PRODUCT CODE

2.1818.002

WEB

www.mirashowers.co.uk/taps/mira-comfort-basin-pillar-taps

DIMENSIONS (MM)





RADA PRODUCT INDEX

PRODUCT	PAGE	PRODUCT	PAGE
Rada 120 Mono-Control System	95	Rada LR Head	125
Rada 122 Mono-Control System	98	Rada LR Operating System	110
Rada 124 Mono-Control System	97	Rada LR Sensor	153
Rada 125 Mono-Control System	99	Rada MD7 Mixer Washbasin Sensor Tap	92
Rada 126 Mono-Control System	100	Rada Meynell 15/3 Therm. Mixing Valve	79
Rada 129 Mono-Control System	96	Rada Meynell 15mm Isolation/Strainer Units	153
Rada 215-T3 BC Therm. Mixing Valve	54	Rada Meynell 22mm Isolation/Strainer Unit	153
Rada 215-T3 C Therm. Mixing Valve	53	Rada Meynell Bonus	120
Rada 215-T3 DK Therm. Mixing Valve	78	Rada Meynell V8/3 B	39
Rada 222-T3 DK	117	Rada Meynell V8/3 BL	41
Rada 3.0M Cable Accessory Kit	154	Rada Meynell V8/3 K	55
Rada 300R Adjustable Spray Cartridge	149	Rada Meynell V8/3 L	40
Rada 310R Hard Water Spray Cartridge	149	Rada Meynell V8/3	38
Rada 320 IC	52	Rada MX1 20CUK	67
Rada 425 IC	51	Rada MX1 20F	65
Rada ACU-T3 DMV with 190mm Spout	15	Rada MX1 20NCUK	68
Rada ACU-T3 DMV with 225mm Spout	15	Rada MX1 20NF	66
Rada AD35 Nipple	149	Rada MX1 40CUK	69
Rada Autotherm-3 BSM	118	Rada MX1 60NUK	71
Rada Autotherm-3 EV Shower Fittings	140	Rada MX1 60UK	70
Rada BSM Bath/ Shower Fittings	141	Rada MX1 80NUK	73
Rada BSR-S/300 Shower Fitting	139	Rada MX1 80UK	72
Rada ER-S 310	133	Rada Outlook Mixing Valve & Sensor Box	25
Rada EV Heavy Duty Shower Fittings	124	Rada Outlook IR Sensor Unit	24
Rada EV Shower Fittings	123	Rada Outlook Outlet By-Pass Adaptor	150
Rada Exact-3 B Chrome	44	Rada Outlook Panel Mounted IR Spouts	26
Rada Exact-3 EV	33	Rada Outlook Piezo Hand Sensor	26
Rada Exact-3	42	Rada Outlook RS485 Socket	150
Rada FE9 Urinal Flushplate & Installation Box	93, 115	Rada PA - 15TF Shower Panel	45
Rada IC 2.5M Extension Cable	155	Rada PA - 15TFW Shower Panel	45
Rada IC End of Line Kit	155	Rada PA - 215TF Shower Panel	46
Rada IC Network Box	155	Rada PA - 215TFW Shower Panel	46

RADA PRODUCT INDEX

PRODUCT	PAGE	PRODUCT	PAGE
Rada PA - ETF Shower Panel	58	Rada Sense - Dual Shower T3	20
Rada PA - TF/TFW Shower Panel	57	Rada Sense - Shower T3	18
Rada PA - V8F Shower Panel	47	Rada Sense - Washbasin T3	16
Rada PA - V8FW Shower Panel	47	Rada Sense Networking Pack A (UK)	23
Rada PA - V8VR2 Shower Panel (Stain. Steel)	48	Rada Sense Networking Pack B (UK) - Basin	23
Rada PA - V8VR2W Shower Panel (White)	48	Rada Sense Networking Pack B (UK) - BSM	23
Rada PT220 Transformer	102	Rada Sense Network. Pack B (UK) - Shower	23
Rada Pulse 120 - Sh/Handwashing Chrome	152	Rada Sense Network. Pack B (UK) - Sh/Sh	23
Rada Pulse 120 Operating System	108	Rada Sense Shower Kit T3	19
Rada Pulse 122 - Single Urinal Chrome	152	Rada Sense Washbasin Kit T3	17
Rada Pulse 122 Operating System	112	Rada SF1 10 BIV	143
Rada Pulse 124 - Single Washbasin Chrome	152	Rada SF1 10 EV	142
Rada Pulse 124 Operating System	111	Rada SF1 20 BIV	145
Rada Pulse 125 - Single Urinal White	152	Rada SF1 20 EV	144
Rada Pulse 125 Operating System	113	Rada SH1 UK	146
Rada Pulse 126 - Group Urinal White	153	Rada SH13 Chrome	134
Rada Pulse 126 Operating System	114	Rada SH13 Spray Head White	135
Rada Pulse 129 - Shower/Handwash Chrome	152	Rada SH15 Chrome	136
Rada Pulse 129 Operating System	109	Rada SH15 Spray Head White	137
Rada Pulse Control Box	103	Rada SH16 Spray Head White	138
Rada Pulse Hand Held Programmer	104	Rada Single Mode Handset & Rings	154
Rada Pulse Isolating Key Switch	105	Rada Smooth Hose Ring	154
Rada Pulse Operating Key Switch	107	Rada Smooth Hoses	154
Rada Pulse Relay Box	107	Rada SP T150 Wall Mount Bath Spout - Short	119
Rada Rac Accessory	149	Rada SP W150 Wall Mount Basin Spout	89
Rada Riser Pipe	150	Rada SP W190 Wall M. Basin Spout - Long	90
Rada S.PA 1 Shower Panel (Silver)	56	Rada SP WD100 Deck M. Basin Spout - Low	89
Rada S.PA 1 Shower Panel (White)	56	Rada SV1015 12V (BETA) Solenoid Valve	151
Rada Safetherm Basin Mount	75	Rada SV1015 12V (MULLER) Solenoid Valve	151
Rada Safetherm Wall Mount	74	Rada SV2022 12V Solenoid Valve	151
Rada Sense - Bath T3	22	Rada SV2028 12V Solenoid Valve	151
Rada Sense - Bath/Shower T3	21		

KOHLER PRODUCT INDEX

PRODUCT	PAGE	PRODUCT	PAGE
Kohler Bardon Urinal, Rear Spud	162	Kohler Reach 600mm W.basin/Vanity Top	167
Kohler Candide 560mm Washbasin	165	Kohler Reach Close Coupled Toilet	158
Kohler Candide Close Coupled Toilet	157	Kohler Reach Wall Hung Toilet	158
Kohler Caxton Undermount Basin	162	Kohler Replay Back-to-Wall Toilet	159
Kohler Clicker Waste	169	Kohler Replay Wall Hung Toilet	160
Kohler Escale 600mm Inset Vanity Basin	168	Kohler Rêve Rimless Back-to-Wall Toilet	160
Kohler Hydro Tower 300 In-Wall tank	161	Kohler Rêve Rimless Wall Hung Toilet	161
Kohler Kathryn Undermount Basin	163	Kohler Robe Hook	170
Kohler Ladena Undermount Basin	163	Kohler Toilet Roll Holder, Horizontal	170
Kohler Panache 560mm Inset Vanity Basin	167	Kohler Toilet Roll Holder, Vertical	169
Kohler Panache 560mm Semi-rec. Basin	166	Kohler Vox Rectangular Vessels Basin	164
Kohler Panache 560mm Washbasin	166	Kohler Vox Round Vessels Basin	164
Kohler Panache Back-to-Wall Toilet	158	Kohler Vox Semi-recessed Basin, Round	168
Kohler Panache Close Coupled Toilet	157	Kohler Vox Square Vessels Basin	165

MIRA PRODUCT INDEX

PRODUCT	PAGE	PRODUCT	PAGE
Mira Advance Electric Shower	173	Mira Evolve Basin Pillar Taps	177
Mira Advance Flex Electric Shower	173	Mira Flight 1200x2010 Wall Panel	175
Mira Comfort Basin Pillar Taps	178	Mira Flight 1700 Riser Converter Kit	175
Mira Elevate Bifold Door 1000	176	Mira Flight Safe Low Rect. Tray 1200x900	174
Mira Elevate Pivot Door 760	177	Mira Flight Square Tray 760x760	174
Mira Elevate Slider Door 1400	176		

RADA WORLDWIDE

Rada products are also available throughout the world via subsidiaries and international agents in the following countries:



Australia	Denmark	Italy	Poland	South Africa
Austria	Eire	Japan	Qatar	Spain
Bahrain	France	Kuwait	Oman	Sweden
Belgium	Finland	Malaysia	Saudi Arabia	Turkey
Canada	Germany	Netherlands	Seychelles	UK
Cyprus	Hong Kong	New Zealand	Singapore	UAE
Czech Republic	Israel	Norway	Slovakia	USA

If you would like to contact an international agent please find the details on our website www.radacontrols.com



Rada Controls

Kohler Mira Limited
Cromwell Road
Cheltenham
Gloucestershire
GL52 5EP

Telephone:

0344 571 1777

Email:

rada_technical@mirashowers.com
radacustomerservices@mirashowers.com

Web:

www.radacontrols.com

Mira, Rada, Kohler and Meynell are registered trade marks of Kohler Mira Limited. The company reserves the right to alter product specification without notice.
© November 2019 Kohler Mira Ltd. All rights reserved. No parts of this document, or any accompanying document, may be reproduced or transmitted in any form or by any means, including photocopying or electronically, without the permission of Kohler Mira Limited.

