

RADA V12 DIVERTER

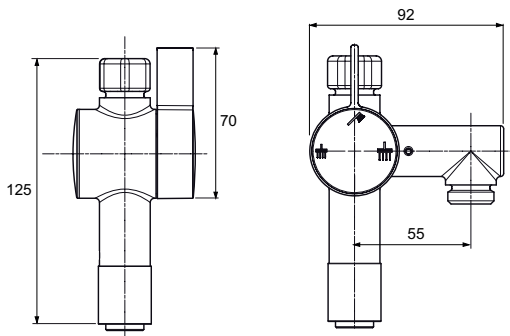


- WRAS Approved
- Two outlet diverter valve, designed to add extra convenience and flexibility to showering
- Designed for use with the Rada V12 thermostatic shower valve
- Simple to use - allows you to divert water between two different outlets off the same shower valve
- Suitable for either high or low pressure systems
- Exposed or concealed configurations

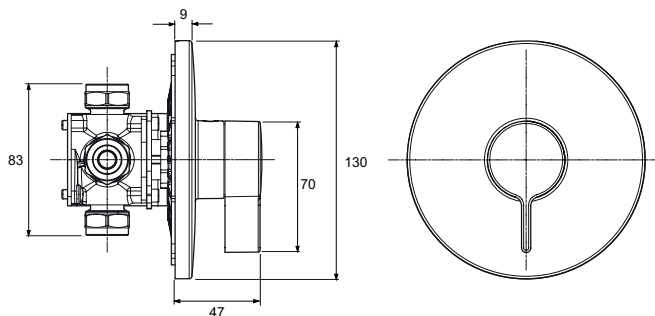


Dimensions (mm)

Exposed



Concealed

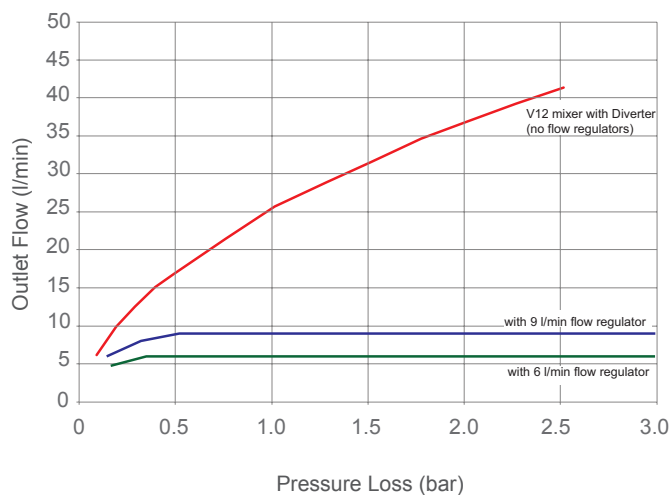
**Specify as: Rada V12 Diverter (1.1651.007)**

Exposed, lever operated diverter valve designed for connection to the Rada V12 Exposed Shower. Three positions for standard fixed head, hand-held shower handset and both running simultaneously.

Specify as: Rada V12 B Diverter (1.1651.006)

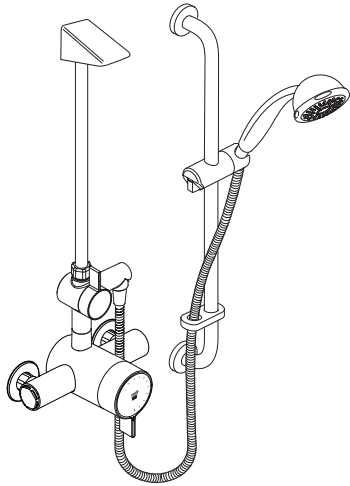
Concealed, lever operated diverter valve, designed for use with the Rada V12 Concealed Shower. Two positions for standard fixed head and hand-held shower handset.

Flow Diagram

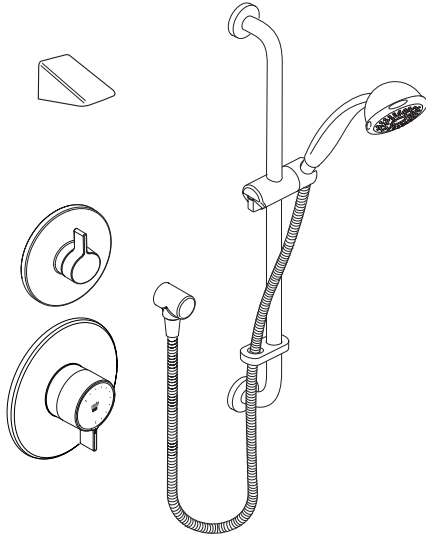


TECHNICAL SPECIFICATION

Exposed Model: This diverter is designed to be mounted directly onto the top outlet of the Rada V12 Exposed Mixer (a special adapter is provided). A flow regulator (6 and 9 l/min supplied with the Rada V12 Mixer) can be fitted if required.



Concealed Model: This diverter is designed to be installed on the outlet of the Rada V12 Concealed Mixer. A flow regulator (6 and 9 l/min supplied with the Rada V12 Mixer) can be fitted to the right angled connector (RAC) if required.



Installation and Maintenance

Installation with the recommended Rada V12 mixers is straightforward with all the necessary fittings supplied. No routine maintenance is required.

Note: These diverters must not be installed with any type of shut off device on the outlets. For detailed information please refer to the Installation and User Guide.

Connections

Exposed Model:

Inlet - Special adapter to connect to the outlet of the Rada V12 Mixer (Note: this model is not suitable for connection to other mixers).
 Top Outlet: 15 mm Compression.
 Right Angled Outlet: ½" BSP Flat Face to accept a flexible hose connection.

Concealed Model:

Inlet/Outlets: 15 mm compression

Approvals

WRAS approved (Water Regulations Advisory Scheme).
 Designed, manufactured and supported in accordance with accredited BS EN ISO 9001:2008 Quality Management Systems and BS EN ISO 14001:2004 Environmental Management Systems

Operation

The diverter outlet is operated by an easy grip lever, with outlet positions clearly identified.

Materials

Exposed model: chrome plated polished brass body; chrome plated zinc die cast lever.
 Concealed model: DZR brass body; chrome plated zinc die cast lever with a chrome plated ABS trim.

Temperature Rating:

Normal showering temperatures: full cold - 45°C. However the materials of construction are capable of withstanding temperatures up to 85°C.

Flow Capacity

These diverters are free flowing so the performance of the showers will be largely dependant on the shower fittings installed.
 At supply pressures > 0.5 bar, we recommend fitting the 9 l/min flow regulator or for increased water saving a 6 l/min flow regulator should be fitted (supplied).