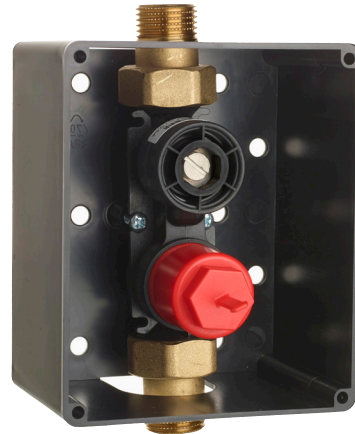


## RADA FE9 URINAL FLUSH

### Rada Urinal Flush Installation Box

- Concealed housing
- Easy clean filter
- Valve body with stop valve and installation flushing connector
- Solid wall or panel mounting



### Specify as:

#### Rada FE9 40X Urinal Flush Installation Box (2.1942.007)

Each urinal bowl to be served by one FE9 40X Urinal Flush Installation Box. For use with Rada FE9 40M/B Mains/Battery Urinal Flushplate.

### Rada Urinal Flushplate

- Final installation set for Rada Urinal Flush valve
- Sturdy front plate made of stainless-steel
- Double infrared sensors with automatic setting feature, microprocessor-electronic.
- Reliable solenoid valve (minimal level of water pressure surge)
- Dynamic sensor, constantly adjusts the optimum range
- Temporary-off function for cleaning
- Battery or mains supply (to suit all installations)
- Installation in combination with urinal flush installation box
- Low battery indicator



### Specify as:

#### Rada FE9 40M Mains Urinal Flushplate (2.1942.005)

Each urinal bowl to be served by one FE9 40M Mains Urinal Flushplate wall mounted flushing control. For use with Rada FE9 40X Urinal Flush Installation Box.

#### Rada FE9 40B Battery Urinal Flushplate (2.1942.006)

Each urinal bowl to be served by one FE9 40B Battery Urinal Flushplate wall mounted flushing control. For use with Rada FE9 40X Urinal Flush Installation Box.

## TECHNICAL SPECIFICATION

### Descriptions

Rada Urinal Flush Installation Box  
Touch free, electronically controlled urinal flush valve for concealed installation.

### Approvals

Designed, manufactured and supported in accordance with accredited BS EN ISO 9001:2000 Quality Management Systems and BS EN ISO 14001:1996 Environmental Management Systems. Complies with all relevant directives for CE marking. WRAS approved.

### Electrical Specification

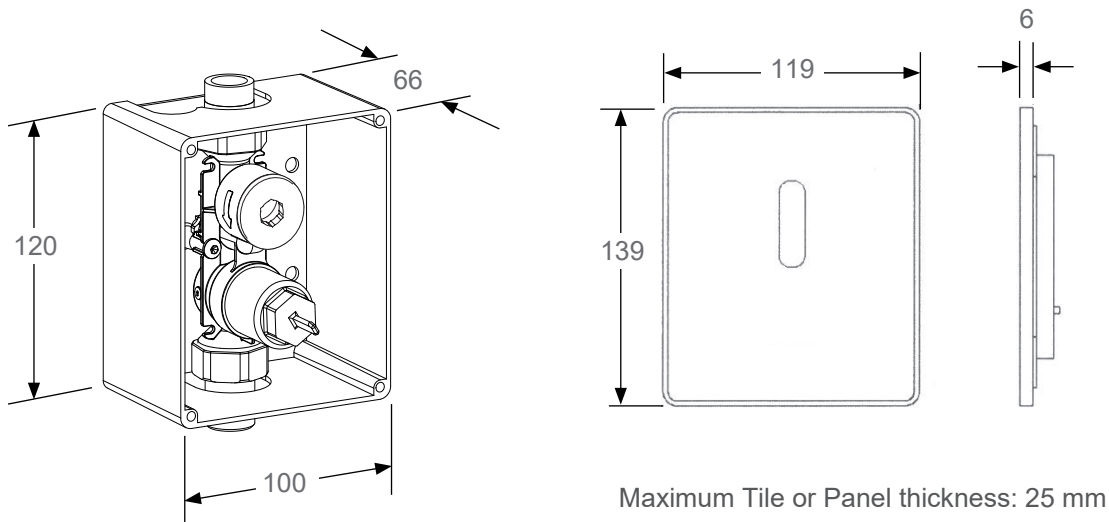
Battery: 6V Lithium CRP 2 (Standard life time up to 4 years)  
Power Supply: 100 - 240V AC ~ 50/60Hz.

### Technical Data

Connections: 1/2" BSP  
Operating pressure: 0.3 - 10 bar  
Flow rate: Approx. 20 l/min or 2.3 litres per flush (3 bar)  
Filter: 0.5 mm mesh size  
Sensor sensitivity: Automatic self-adapting sensor technology  
Rinse time: Approx. 7 sec pre set  
Temporary off: Approx. 2 min (fixed)  
Residence\* time: Approx. 10 sec (fixed)  
Engineering standards: DIN EN 200; CE

\*Time that user must spend in front of sensor to be recognised as using the urinal and not just a person walking past which could create a false activation.

### Dimensions (mm)



**Kohler Mira Limited**  
Cromwell Road, Cheltenham  
Gloucestershire, GL52 5EP

**Specification Enquiries**  
Tel: 0344 571 1777 (Option 1)  
Email: rada\_technical@mirashowers.com  
www.radacontrols.com

1394283-W4-A

Rada is a registered trademark of Kohler Mira Limited.

The company reserves the right to alter product specification without notice.  
© June 2019 Kohler Mira Limited. All rights reserved.  
No part of this document, or any accompanying document, may be reproduced or transmitted in any form or by any means, including photocopying or electronically, without the permission of Kohler Mira Limited.

A **KOHLER** COMPANY



**rada**