



A **KOHLER** COMPANY

SERVICE AND PRODUCT SELECTOR

Commercial showering
& washroom solutions



RADA PRODUCT SELECTOR

YOUR GUIDE TO OUR RANGE OF
SHOWERING, WASHROOM CONTROLS,
FITTINGS AND SYSTEMS DESIGNED
FOR COMMERCIAL APPLICATIONS.

Water control technology for healthcare, education,
sports/leisure, student accommodation and
commercial specifications.



GETTING THE MOST FROM YOUR SELECTOR

A STEP-BY-STEP GUIDE TO THE RADA PRODUCT RANGE

Our intuitive guide is designed to aid the selection of appropriate washroom controls. Grouped by application and colour-coded for ease of use, each product is presented with relevant information, best practice applications, key features and benefits, approvals and plumbing schematics when relevant.

KEY TO SUITABILITY

Each product page contains icons denoting relevant product characteristics, approvals and sectors in which they are most suited. Please note that Sector icons are meant as a guide only and suitability may vary for different applications.



PRODUCT SELECTOR INCLUDES

Product Description and Features.

Complementary products where applicable – typical options are identified, but the list is not exhaustive.

Dimensions (mm).

Installation schematics showing typical plumbing installations.

Web links are provided where further information can be downloaded.



OUR COMMITMENT TO LONG TERM SUSTAINABILITY

Being sustainable is no longer simply an option for organisations, it is a responsibility and here at Kohler Mira we also see it as an opportunity to have a positive impact on our planet, our communities and our people.

BETTER PLANET

Our centenary in 2021 wasn't simply a celebration of the past. It marked a new commitment to the future. From reducing water usage in our product testing stage, to removing single-use plastic in packaging – it's our aim to reduce the environmental impact at every stage of our product life cycle.

BETTER LIVES

We take our responsibility for the impact we have on people seriously – and providing better lives for everyone is at the heart of our sustainability goals. It shapes how we engage with communities, embedding diversity, equity and inclusion in our business, and realising our circular economy ambition.

BETTER COMMUNITIES

Our charity work, volunteering initiatives and local sports club sponsorships aim to improve the lives of those around us. But alongside this support, there is careful stewardship: the recognition of our impact on the local community is built into every business decision we make.



BETTER WORKPLACE

Rada's people are all driven by a common cause; a desire to improve people's lives and ensure the safety of everyone that comes into contact with our products.

It's not just customers and end users that Rada staff keep in mind. The team play an active role in helping good causes, locally and globally.

Scan the QR code to find out more about our commitment to sustainability, and to read our latest Environmental, Social and Governance (ESG) report.





SELECTOR CONTENTS

SERVICE	08
DIGITAL CONTROLS	14
INDIVIDUAL SHOWERING	26
GROUP SHOWERING	48
HAND WASHING	62
ELECTRONIC WASHROOM	92
BATHING	114
SHOWER FITTINGS	118
ACCESSORIES	140
MIRA PRODUCTS	148

RADA SERVICE

You've always put user safety at the heart of your business. Now you can support those standards beyond products, with Rada Controls' specialist Service Team.








In fact, Rada Controls' comprehensive service packages are designed and tailored to reduce risk and increase the safety of all your users. So, whether you're in healthcare, leisure or education, you can be sure you're meeting your duty of care to provide safe water facilities for everyone.

Designed. Engineered. Supported by Experts.

At Rada, we don't just design and manufacture our products. We innovate every step of the way. That's why our dedicated service team is uniquely positioned to support them throughout their entire lifecycle.

From **commissioning** to **ongoing maintenance**, we ensure systems remain **compliant, safe, and fully operational**, protecting users and delivering peace of mind for our customers.



- 
Full on-site services
- 
Data recording
- 
Safe and correct operation of your installed products and valves
- 
Compliance reporting
- 
Safety assurance
- 
Fast response to breakdown requests
- 
Optional non-contract maintenance

Telephone:
0344 571 1777 (option 2)

Email:
radacustomerservices@radacontrols.com

Web:
www.radacontrols.com

INTEGRATED SERVICE AND PRODUCT (ISP) – A UNIQUE PROPOSITION

Imagine having a guarantee that your washroom controls always perform at their best and keep users safe. Would you take it?

That's exactly what Rada delivers through its **Integrated Service and Product Plan**. We work with you to create a plan tailored to your site's needs – covering everything from product supply to commissioning, service, and maintenance.

Our deep knowledge of Rada products, combined with our nationwide team of expert service technicians, ensures we're always ready to meet your needs. It's the level of support only a manufacturer can provide.

You pay for the plan only. Everything, including the product, is included.

Want to find out more? Put us to the test.

This gives you complete peace of mind that you're meeting duty of care requirements and providing the best experience for users of your taps, showers, and washroom outlets.

Benefits:

- High-performing facilities, all the time
- Peace of mind that users are safe
- Cost certainty with fixed monthly or annual payment plans
- Enhanced monitoring options
- Accurate record-keeping and compliance via the Rada Mobile App

Find out how we can help you deliver better washrooms for your customers.

For a free quote or to enquire about a site survey, call 0344 571 1777 or email radacustomerservices@radacontrols.com

[‘Buy the service, get the product. Absolute cost certainty and peace of mind.’](#)



COMMISSIONING SERVICE

When you choose Rada, you can be sure of getting the level of service you would expect from the global experts in shower and washroom controls. We now offer an extended guarantee option when you choose to have your product commissioned by our maintenance professionals.

When you choose Rada, you get the level of service expected from global experts in shower and washroom controls. Our nationwide team of trained service professionals ensures the smooth operation of taps, showers, washroom controls, and integrated systems.

Available across our full range of mechanical and digital products, Rada's Commissioning Service provides precise product setup and verifies correct site and installation parameters for safe, compliant operation. Commissioning in healthcare settings is carried out in accordance with **HTM 04 guidelines**.

Choosing Rada for commissioning extends our manufacturer's two-year guarantee to **five years** from the date of commissioning – giving you complete peace of mind. Our dedicated team of Rada-trained Service Technicians are on hand to attend should there ever be an issue, with all warranty repairs fully covered.

This approach minimises breakdowns, safeguards end users, and ensures facilities managers can rely on optimal performance all year round.



Find out how we can help you deliver better washrooms for your customers. For a free quote or to enquire about a site survey, call 0344 571 1777 or email radacustomerservices@radacontrols.com

REACTIVE SERVICING

Regardless of the age of the product, you can call on our dedicated team of Rada trained Service Technicians for advice, or to arrange a site visit on a pay per visit basis.

After many years of reliable performance, products may simply need some general servicing to keep them operating at their best. And if a fault does occur – no matter the age of the product – you can rely on Rada's dedicated team of trained Service Technicians for expert advice and fast, reactive support.

As a global leader in taps, showers, and washroom controls, we design and manufacture all our products ourselves, so we're best placed to service them.

Our unrivalled knowledge is backed by a nationwide field service team and dedicated customer support, ensuring help is always within reach.

With Reactive Servicing, you pay on a **per-visit basis**, with the option to purchase additional valves, units, and spare parts as needed.



Find out how we can help you deliver better washrooms for your customers. For a free quote or to enquire about a site survey, call 0344 571 1777 or email radacustomerservices@radacontrols.com

PREVENTATIVE MAINTENANCE

Our Preventative Maintenance package is designed to give you complete peace of mind.

We understand how important it is for taps, showers, and washroom outlets to operate safely and efficiently all year round – not only to provide a reliable experience for users but also to maintain compliance with industry regulations and quality standards.

This service ensures ongoing performance, reliability, and safety through scheduled maintenance and health checks. It's a cost-effective way to protect your duty of care and keep your facilities running at their best.

What's included:

- Annual or bi-annual service visits
- Full annual servicing, including product inspection, fault detection, and correction
- Asset barcoding for easy identification and tracking
- Digital compliance records via the Rada Mobile App
- Exclusive discounts on spare parts for customers with maintenance agreements
- For healthcare environments, our Preventative Maintenance package also supports compliance with **Health Technical Memorandum (HTM) 04-01** where required



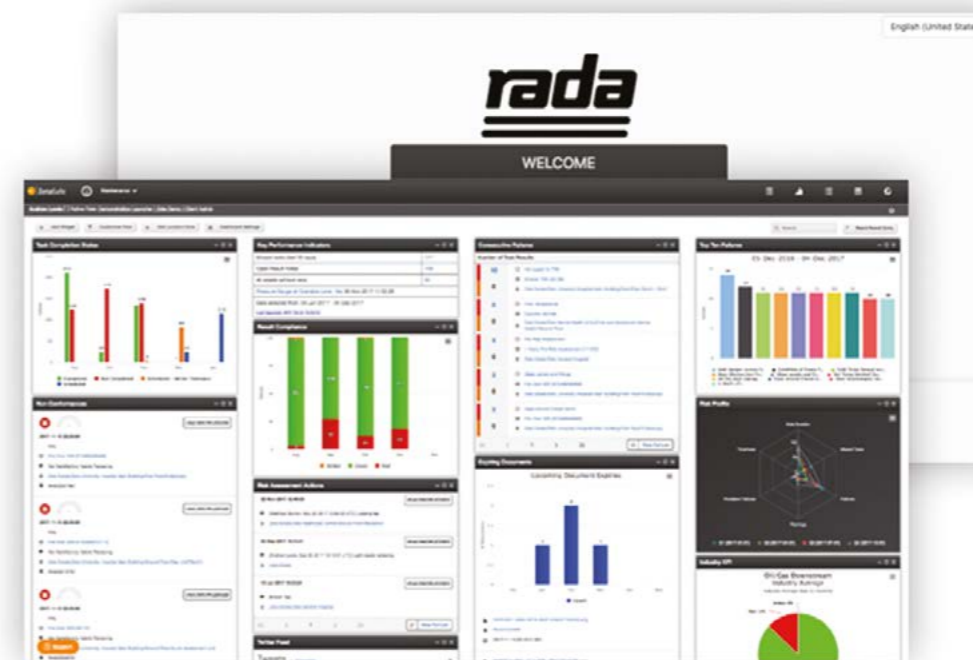
Find out how we can help you deliver better washrooms for your customers. For a free quote or to enquire about a site survey, call 0344 571 1777 or email radacustomerservices@radacontrols.com

DIGITISED COMPLIANCE RECORDS

We recognise that in many situations, Facilities Managers and Building Owners need instant access to information at any time and from wherever they happen to be.

Rada's preventative maintenance package includes digitised compliance records as standard:

- Location and compliance details are recorded, and all procedures carried out are stored digitally
- Reports can be exported in Excel or PDF format
- Access to a compliance dashboard is available if required
- Available for all makes and models of valves serviced by the Rada team, with no additional charge
- Added peace of mind as standard



Find out how we can help you deliver better washrooms for your customers. For a free quote or to enquire about a site survey, call 0344 571 1777 or email radacustomerservices@radacontrols.com

DIGITAL CONTROLS

Rada has pioneered washroom and water flow control solutions since launching the very first thermostatic mixing valve in the 1930s.

Today the company offers a new world of intelligent control based digital technology. This makes many advanced features possible such as non-touch activation and temperature adjustment, plus the ability to specify a fixed blended temperature. Thermal disinfection and automatic duty flushing which assist in the control of Legionella bacteria also help ensure the highest standards of washroom hygiene. These digital solutions are for handwashing, showering or bathing use and offer an alternative to mechanical blending shown in other sections.

For more information on the complementary products in this section, refer to the product index on pages 154 – 156.



RADA SENSE WASHBASIN T3

PRODUCT IMAGE



DESCRIPTION

Concealed digital mixing valve for washbasin, offering non-touch control, programmable maximum, minimum and default temperatures, duty flush and thermal disinfection with datalogging capabilities. Requires separate spout, see complementary products.

- Buildcert TMV3 Scheme Approved
- Non-touch ON/OFF interface activation and temperature control
- Remotely located valve (up to 3m)
- Programmable flow times and temperatures
- No surface temperature risks
- Programmable 'duty flushing'; secure thermal disinfection with datalogging
- Connections: 1/2" BSP male

PRODUCT INFORMATION

PRODUCT CODE

1.1503.678

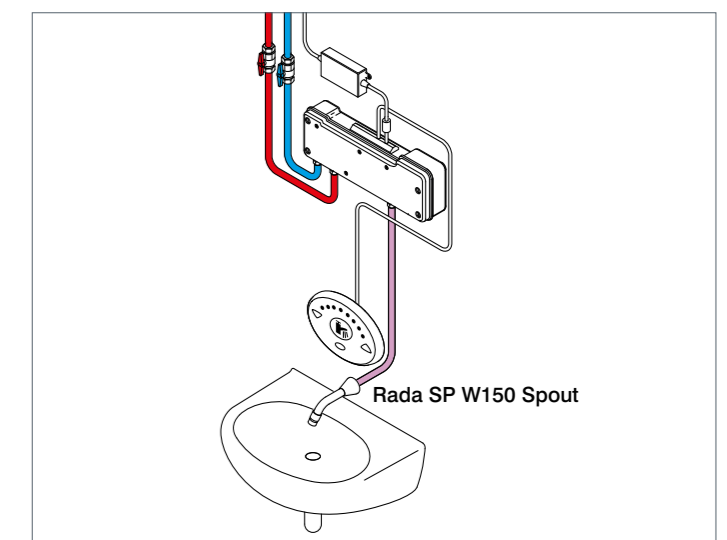
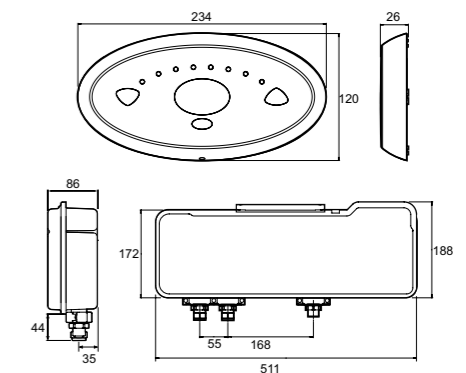
WEB

www.radacontrols.com/en/products/all-products/rada-sense-washbasin-t3/

COMPLEMENTARY PRODUCTS

Rada SP WD100 – Spout
 Rada SP W150 – Spout
 Rada SP W190 – Spout
 Rada Sense Networking Pack A (UK)

DIMENSIONS (MM) & INSTALLATION





RADA SENSE WASHBASIN KIT T3

PRODUCT IMAGE



PRODUCT INFORMATION

PRODUCT CODE

1.1503.702

WEB

www.radacontrols.com/en/products/all-products/rada-sense-washbasin-kit-t3/

COMPLEMENTARY PRODUCTS

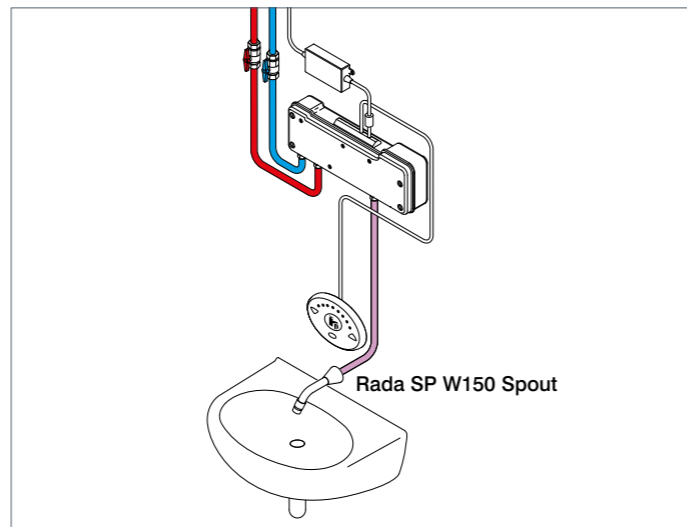
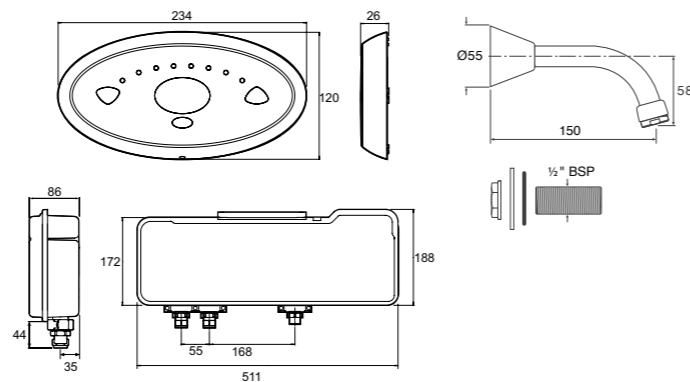
Rada Sense Networking Pack A (UK)

DESCRIPTION

Concealed digital mixing valve for washbasin, offering non-touch control, programmable maximum, minimum and default temperatures, duty flush and thermal disinfection with datalogging capabilities. Supplied with a 5 l/min flow regulator. Complete with wall mounted spout with 150mm throw (Rada SP W150).

- Buildcert TMV3 Scheme Approved
- Non-touch ON/OFF interface activation and temperature control
- Remotely located valve (up to 3m)
- Programmable flow times and temperatures
- No surface temperature risks
- Programmable 'duty flushing'; secure thermal disinfection with datalogging
- Connections: 1/2" BSP male

DIMENSIONS (MM) & INSTALLATION



RADA SENSE SHOWER T3

PRODUCT IMAGE



PRODUCT INFORMATION

PRODUCT CODE

1.1503.682

WEB

www.radacontrols.com/en/products/all-products/rada-sense-shower-t3/

COMPLEMENTARY PRODUCTS

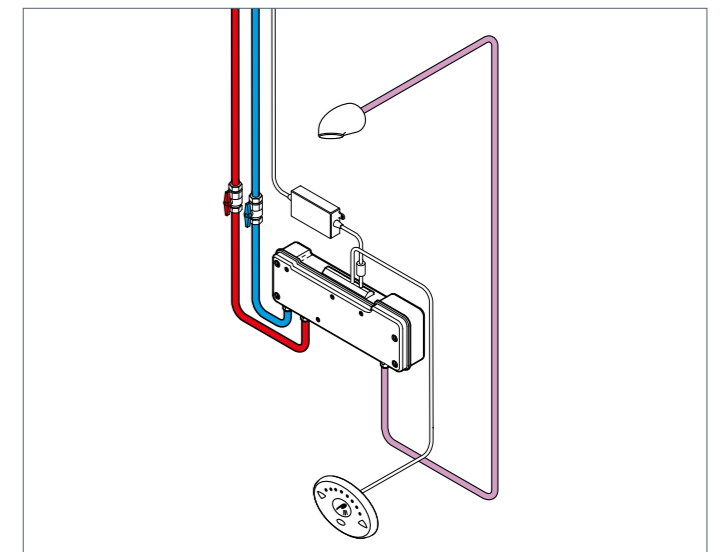
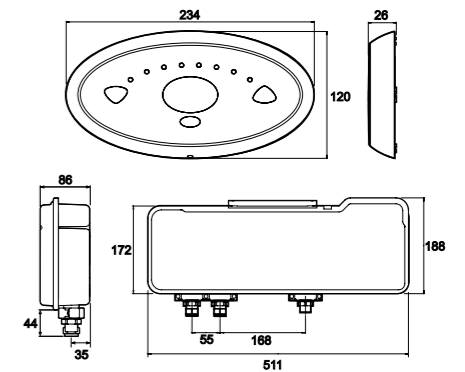
Rada VR105 – Shower Head
 Rada bsr-s 300 – Shower Head
 Rada EV Shower Fittings
 Rada EV Heavy Duty Shower Fittings
 Rada RAC Accessory – Connector Elbow
 Rada SH1 Shower Head
 Rada SF1 Fittings Kits
 Rada Sense Networking Pack A (UK)

DESCRIPTION

Concealed digital mixing valve for shower, offering non-touch control, programmable maximum, minimum and default temperatures, duty flush and thermal disinfection with datalogging capabilities. Requires separate shower fittings, see complementary products.

- Buildcert TMV3 Scheme Approved
- Non-touch ON/OFF interface activation and temperature control
- Remotely located valve (up to 3m)
- Programmable flow times and temperatures
- No surface temperature risks
- Programmable 'duty flushing'; secure thermal disinfection with datalogging
- Connections: 1/2" BSP male

DIMENSIONS (MM) & INSTALLATION





RADA SENSE SHOWER KIT T3

PRODUCT IMAGE



DESCRIPTION

Concealed digital mixing valve for shower, offering non-touch control, programmable maximum, minimum and default temperatures, duty flush and thermal disinfection with datalogging capabilities. Complete with vandal resistant shower fitting for connection to concealed pipework supplied with 9 l/min flow regulator (Rada VR105).

- Buildcert TMV3 Scheme Approved
- Non-touch ON/OFF interface activation and temperature control
- Remotely located valve (up to 3m)
- Programmable flow times and temperatures
- No surface temperature risks
- Programmable 'duty flushing'; secure thermal disinfection with datalogging

PRODUCT INFORMATION

PRODUCT CODE

1.1503.706

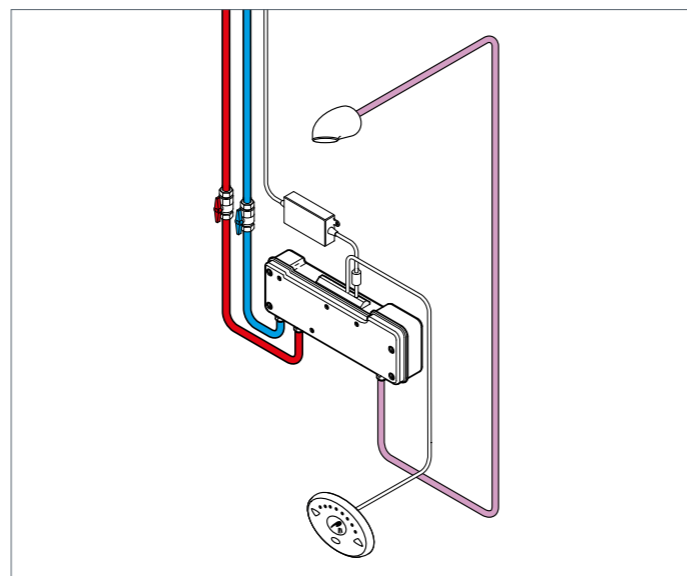
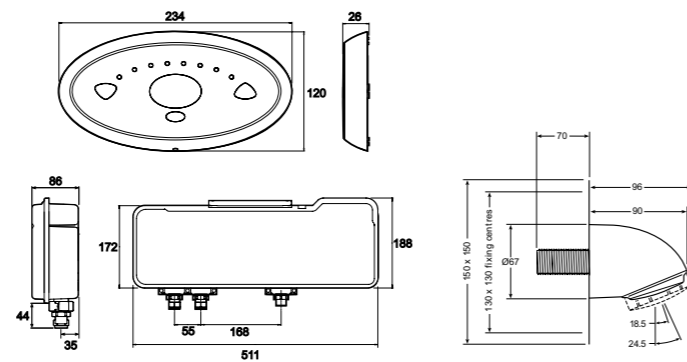
WEB

www.radacontrols.com/en/products/all-products/rada-sense-shower-kit-t3/

COMPLEMENTARY PRODUCTS

Rada Sense Networking Pack A (UK)

DIMENSIONS (MM) & INSTALLATION



RADA SENSE DUAL SHOWER T3

PRODUCT IMAGE



DESCRIPTION

Concealed digital mixing valve for shower, offering non-touch control, programmable maximum, minimum and default temperatures, duty flush and thermal disinfection with datalogging capabilities. Requires separate shower fittings, see complementary products.

- Buildcert TMV3 Scheme Approved
- Flexible showering with fixed and variable outlet options
- Non-touch ON/OFF interface activation and temperature control
- Remotely located valve (up to 3m)
- Programmable flow times and temperatures
- No surface temperature risks
- Programmable 'duty flushing'; secure thermal disinfection with datalogging
- Connections: (Inlet) 3/4" BSP male; (Outlet) 1/2" BSP male

PRODUCT INFORMATION

PRODUCT CODE

1.1653.030

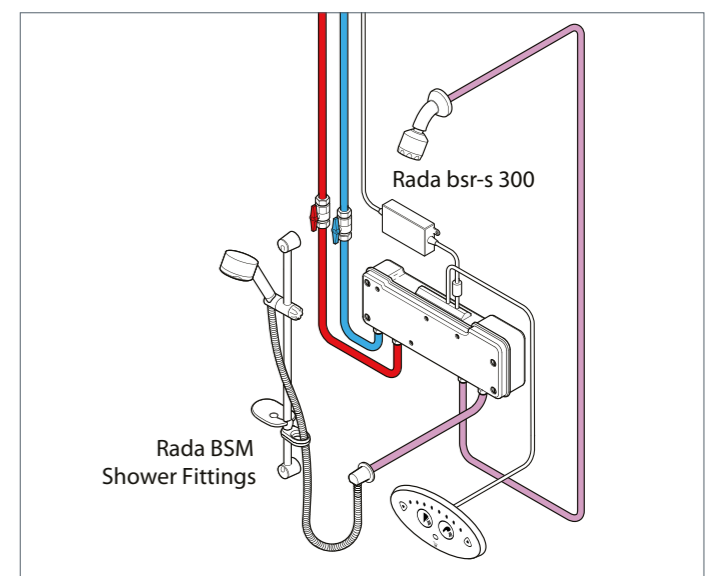
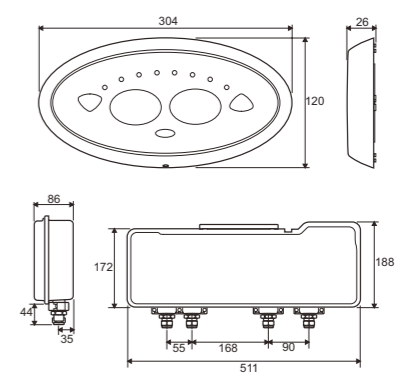
WEB

www.radacontrols.com/en/products/all-products/rada-sense-dual-shower-t3/

COMPLEMENTARY PRODUCTS

Rada VR2-RS – Shower Head
 Rada bsr-s 300 – Shower Head
 Rada BSM Shower Fittings
 Rada RAC Adaptor
 Rada SH1 Shower Head
 Rada SF1 Fittings Kits
 Rada Sense Networking Pack A (UK)

DIMENSIONS (MM) & INSTALLATION





RADA SENSE BATH/SHOWER T3

PRODUCT IMAGE



DESCRIPTION

Concealed digital mixing valve for bath/shower, offering non-touch control, programmable maximum, minimum and default temperatures, duty flush and thermal disinfection with datalogging capabilities. Requires spout and shower fittings, see complementary products.

- Buildcert TMV3 Scheme Approved
- Non-touch ON/OFF interface activation and temperature control
- Remotely located valve (up to 3m)
- Programmable flow times and temperatures
- No surface temperature risks
- Programmable 'duty flushing'; secure thermal disinfection with datalogging
- Connections: (Inlet) 3/4" BSP male; (Outlet) 3/4" BSP male / 1/2" BSP male (Shower)

PRODUCT INFORMATION

PRODUCT CODE

1.1503.690

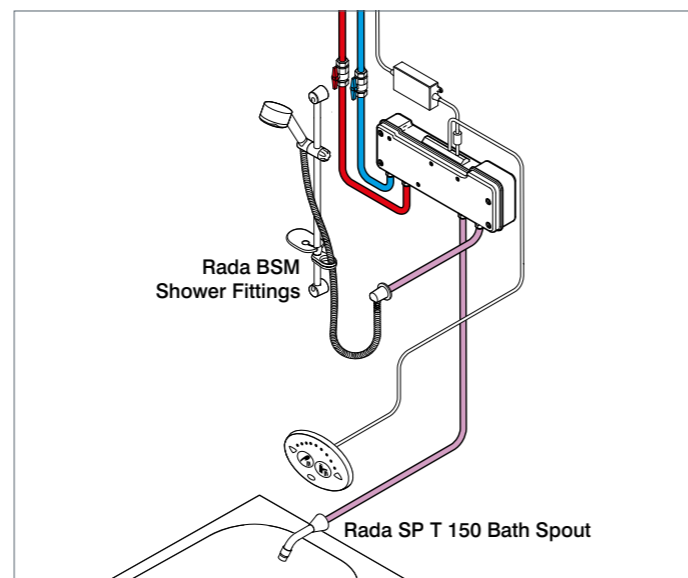
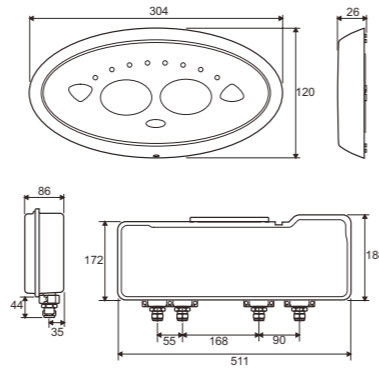
WEB

www.radacontrols.com/en/products/all-products/rada-sense-bathshower-t3/

COMPLEMENTARY PRODUCTS

Rada bsr-s 300 – Shower Head
 Rada BSM Shower Fittings
 Rada SP T150 – Bath Spout
 Rada RAC Adaptor
 Rada SH1 Shower Head
 Rada SF1 Fittings Kits
 Rada Sense Networking Pack A (UK)

DIMENSIONS (MM) & INSTALLATION



RADA SENSE BATH T3

PRODUCT IMAGE



DESCRIPTION

Concealed digital mixing valve for bath, offering non-touch control, programmable maximum, minimum and default temperatures, duty flush and thermal disinfection with datalogging capabilities. Requires separate spout, see complementary products.

- Buildcert TMV3 Scheme Approved
- Non-touch ON/OFF interface activation and temperature control
- Remotely located valve (up to 3m)
- Programmable flow times and temperatures
- No surface temperature risks
- Programmable 'duty flushing'; secure thermal disinfection with datalogging
- Connections: 3/4" BSP male
- Ideal for birthing pool application

PRODUCT INFORMATION

PRODUCT CODE

1.1503.698

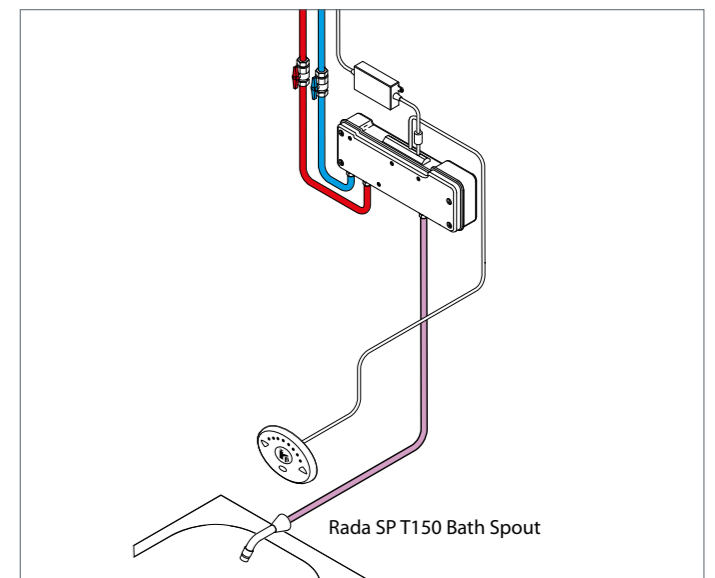
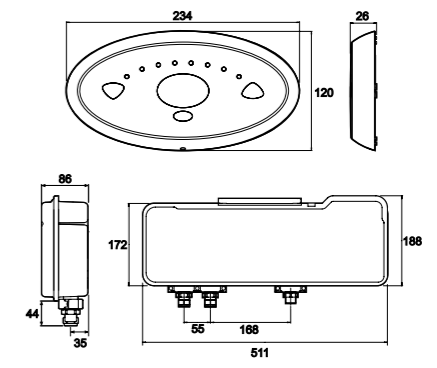
WEB

www.radacontrols.com/en/products/all-products/rada-sense-bath-t3/

COMPLEMENTARY PRODUCTS

Rada SP T150 – Bath Spout
 Rada Sense Networking Pack A (UK)

DIMENSIONS (MM) & INSTALLATION





RADA SENSE NETWORKING PACK A (EU)

PRODUCT IMAGE



PRODUCT INFORMATION

PRODUCT CODE

1.1621.215

WEB

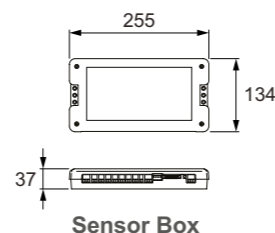
www.radacontrols.com/en/products/all-products/rada-sense-networking-pack-a-uk/

DESCRIPTION

For Rada Sense products manufactured after July 2014 which are 'network-ready'. Sensor Box; 2 cables (valve-to-box, interface-to-box).

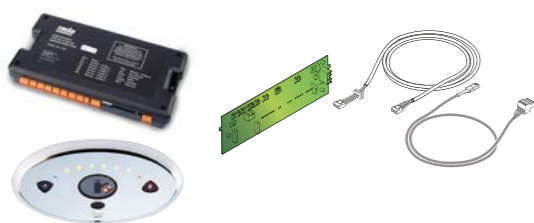
- Simple, centralised control
- Automatic compliance data collection
- Connect and manage multiple units

DIMENSIONS (MM) & INSTALLATION



RADA SENSE NETWORKING PACK B (UK)

PRODUCT IMAGE



PRODUCT INFORMATION

PRODUCT CODE

1.1653.200 Basin	1.1653.203 Shower/Shower
1.1653.202 Shower	1.1653.204 BSM

WEB

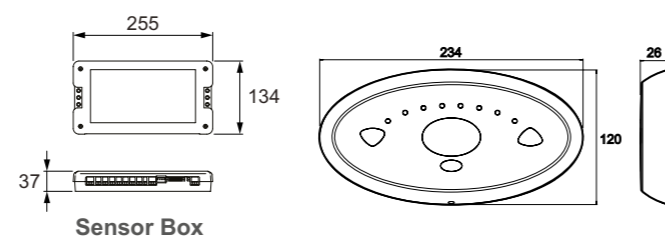
www.radacontrols.com/en/products/all-products/rada-sense-networking-pack-b-uk/

DESCRIPTION

For Rada Sense products manufactured before July 2014 which are not 'network-ready'. Available in four options dependant on Sense variant. Sensor Box; Replacement Interface and Valve PCBA; 2 cables (valve-to-box, interface-to-box).

- Simple, centralised control
- Automatic compliance data collection
- Connect and manage multiple units

DIMENSIONS (MM) & INSTALLATION



RADA UNIVERSAL CONFIGURATION TOOL

PRODUCT IMAGE



PRODUCT INFORMATION

PRODUCT CODE

1.1621.202

WEB

www.radacontrols.com/en/products/all-products/rada-universal-configuration-tool/

DESCRIPTION

Rada RS485 – USB cable & Rada Modus Universal Configuration Tool. Only one Universal Configuration Tool is required per site.

Used for connecting a laptop or BMS to programme parameters or extract data logs.

COMPLEMENTARY PRODUCTS

Rada Sense
Rada Outlook



RADA OUTLOOK IR SENSOR

PRODUCT IMAGE



PRODUCT INFORMATION

PRODUCT CODE

1.1621.112

WEB

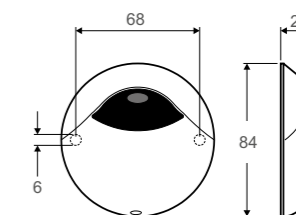
www.radacontrols.com/en/products/all-products/rada-outlook-ir-sensor-unit/

DESCRIPTION

Wall mounted 'non-touch' flow control. Complete with concealed active infra-red sensor and 6m cable.

The sensor should be mounted on a flat smooth surface (e.g. centre of a tile) to prevent water ingress. The sensor is mounted via 2 fixing points, the cover conceals the wall fixings and is fitted with a security screw to prevent unwanted tampering.

DIMENSIONS (MM) & INSTALLATION





RADA OUTLOOK

PRODUCT IMAGE



DESCRIPTION

Concealed digital thermostatic mixing valve and sensor box for hand washing and/or showering, offering programmable maximum, minimum and default temperatures, duty flush and supervised thermal disinfection with data-logging capabilities. Supplied complete with power supply, check valves and strainers.

- Cost effectively and flexibly manage your water systems whilst complying with legislative requirements
- Rada Outlook is a digital thermostatic mixing valve with up to six outlets
- Programmable timed flow for hand washing and showering applications by touch or non-touch sensors, or non-touch spouts
- Automatically performs duty flush at intervals specific for your installation
- Records automatic duty flush and supervised thermal disinfection data for legislative compliance
- Easily program Rada Outlook using Windows based configuration tool, for easy access and download of data
- Integrate auxiliary products such as a fan, pump or PIR occupancy sensor to Outlook system and program specifically to your own application
- Connect multiple Rada Outlook units together to a Building Management System (up to 31 on each MODBUS network)

PRODUCT INFORMATION

PRODUCT CODE

1.1621.099

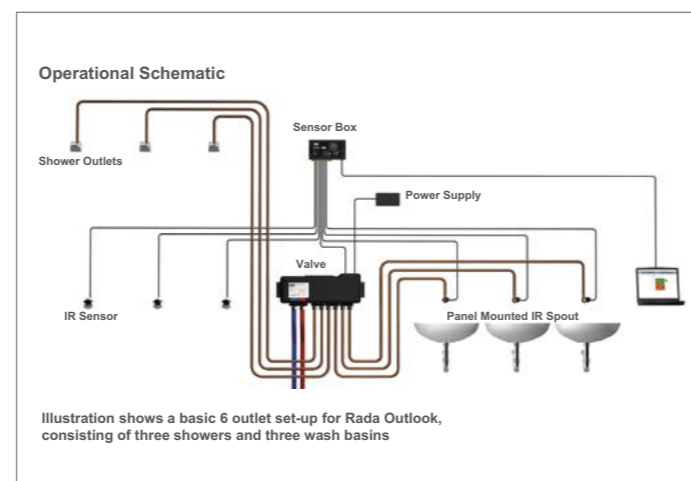
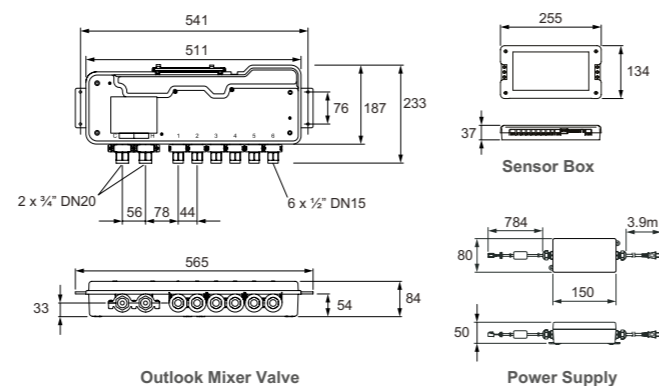
WEB

www.radacontrols.com/en/products/all-products/rada-outlook-concealed-digital-thermostatic-mixing-valve-sensor-box/

COMPLEMENTARY PRODUCTS

- Rada Outlook Outlet By-Pass Adaptor
- Rada Universal Configuration Tool
- Rada Isolating Key Switch
- Rada VR Shower Head Range
- Rada Outlook Panel Mounted IR Spout
- Rada Outlook IR Sensor

DIMENSIONS (MM) & INSTALLATION



RADA OUTLOOK PIEZO HAND SENSOR

PRODUCT IMAGE



DESCRIPTION

Wall mounted Piezo 'touch' flow control sensor with 3m cable. The sensor should be mounted on a flat smooth surface (e.g. centre of a tile) to prevent water ingress. The sensor is mounted via 2 fixing points on the metal plate.

PRODUCT INFORMATION

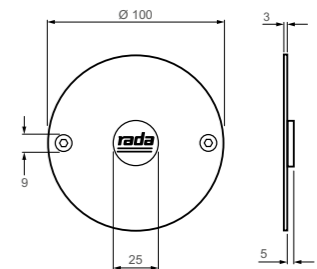
PRODUCT CODE

1.1621.085

WEB

www.radacontrols.com/en/products/all-products/rada-outlook-piezo-hand-sensor/

DIMENSIONS (MM) & INSTALLATION



RADA OUTLOOK PANEL MOUNTED IR SPOUT

PRODUCT IMAGE



DESCRIPTION

Non-touch infra-red sensor spout in 150mm, 190 mm or 225mm lengths.

PRODUCT INFORMATION

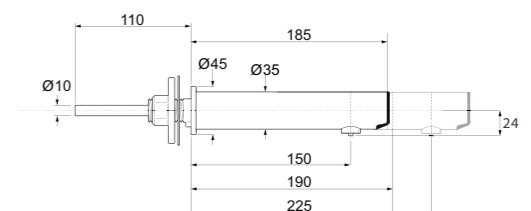
PRODUCT CODE

150mm – 1.1621.136 225mm – 1.1621.137
190mm – 1.1621.132

WEB

www.radacontrols.com/en/products/all-products/rada-outlook-panel-mounted-ir-spout

DIMENSIONS (MM) & INSTALLATION



To find out more about the benefits of networking your Rada products, visit: www.radacontrols.com/en/technical-support/tools-software/networking-your-rada-products/ Or scan the QR code:



INDIVIDUAL SHOWERING

Rada's practical and flexible thermostatic mixing valve range offers exposed and built-in options to suit many different applications.

Single sequential or dual control lever versions are available and can be paired with various fixed shower heads or adjustable kits to create solutions that satisfy individual requirements.

Pre-plumbed ready-to-connect shower panels can also be supplied. These feature options such as fixed or adjustable temperature, vandal resistant shower heads and flexible hose and slide rail combinations. Many feature TMV3-approved valves, making them especially well-suited to be used by the young, elderly or infirm.

For more information on the complementary products in this section, refer to the product index on pages 154 – 156.



RADA V12

PRODUCT IMAGE



DESCRIPTION

Surface mounted thermostatic shower valve certified to TMV3 performance and featuring Insutech® technology. Sequential single lever operation from cold through to warm. Includes service-free cartridge, check valves, filters and optional flow regulators.

- Buildcert TMV3 Scheme Approved
- Single sequential operation from off-cold-warm
- Light touch control complemented by easy to understand graphics to address the needs of all users, irrespective of age or ability
- Robust construction to withstand heavy usage in the commercial environment
- Supplied is a 9l/min flow regulator and a 6l/min for increased water saving
- Safe-to-touch. The V12 Exposed option features Insutech® technology to reduce surface temperature to a safe level

PRODUCT INFORMATION

PRODUCT CODE

1.1651.001

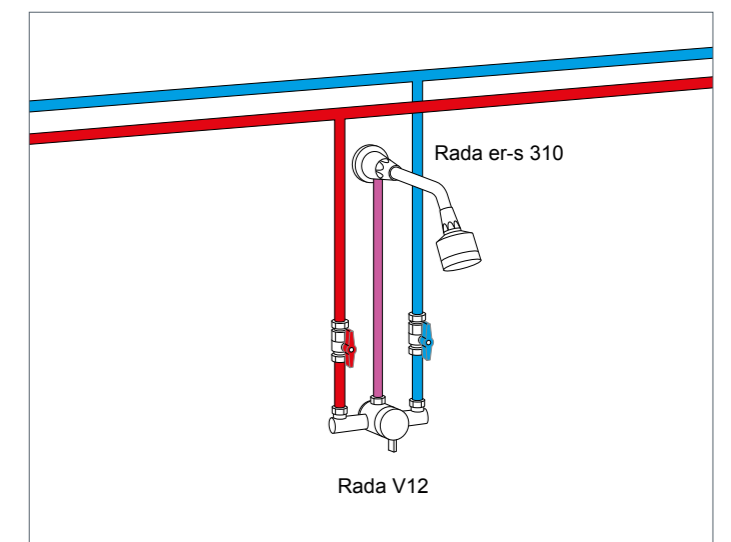
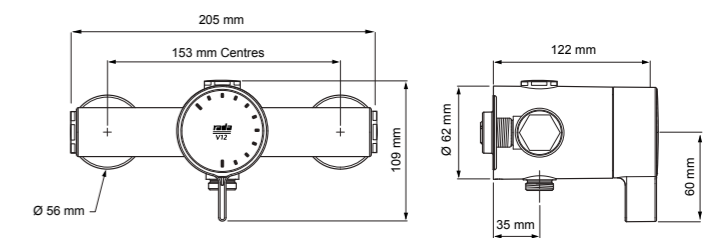
WEB

www.radacontrols.com/en/products/all-products/rada-v12/

COMPLEMENTARY PRODUCTS

Rada VR Range – Shower Heads
 Rada er-s
 Rada EV Shower Fittings
 Rada EV – Heavy Duty Shower Fittings
 Rada SF1 Shower Fittings Kits

DIMENSIONS (MM) & INSTALLATION





RADA V12 CONCEALED

PRODUCT IMAGE



PRODUCT INFORMATION

PRODUCT CODE

1.1651.002

WEB

www.radacontrols.com/en/products/all-products/rada-v12-concealed/

COMPLEMENTARY PRODUCTS

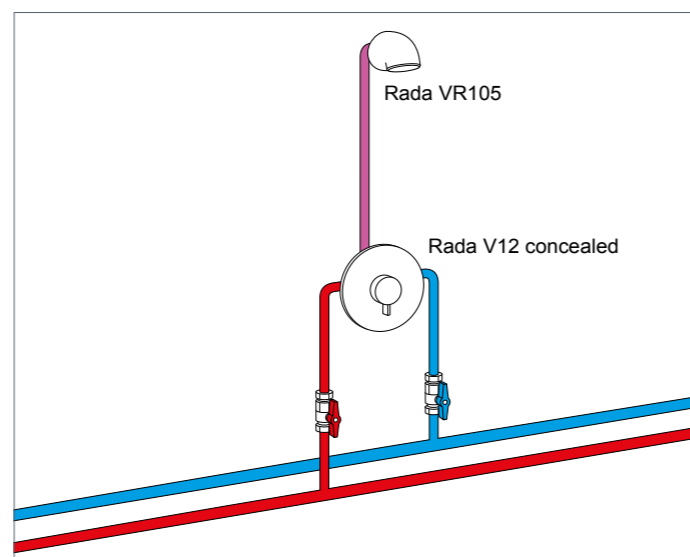
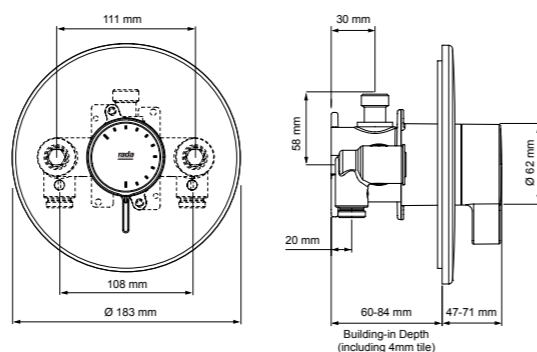
Rada VR Range – Shower Heads
 Rada bsr-s/300 – Shower Fitting
 Rada EV Shower Fittings
 Rada EV – Heavy Duty Shower Fittings
 Rada SH1 Shower Head
 Rada SF1 10 BIV – Shower Kit
 Rada SF1 20 BIV – Shower Kit

DESCRIPTION

Built-in thermostatic shower valve certified to TMV3 performance standard and featuring integral isolating ball valves. Sequential single lever operation from cold through to warm. Includes service-free cartridge, check valves, filters and optional flow regulators.

- Buildcert TMV3 Scheme Approved
- Single sequential operation from off-cold-warm
- Light touch control complemented by easy to understand graphics to address the needs of all users, irrespective of age or ability
- Robust construction to withstand heavy usage in the commercial environment
- Supplied is a 9l/min flow regulator and a 6l/min for increased water saving

DIMENSIONS (MM) & INSTALLATION



RADA V12 130

PRODUCT IMAGE



PRODUCT INFORMATION

PRODUCT CODE

1.1651.003

WEB

www.radacontrols.com/en/products/all-products/rada-v12-130/

COMPLEMENTARY PRODUCTS

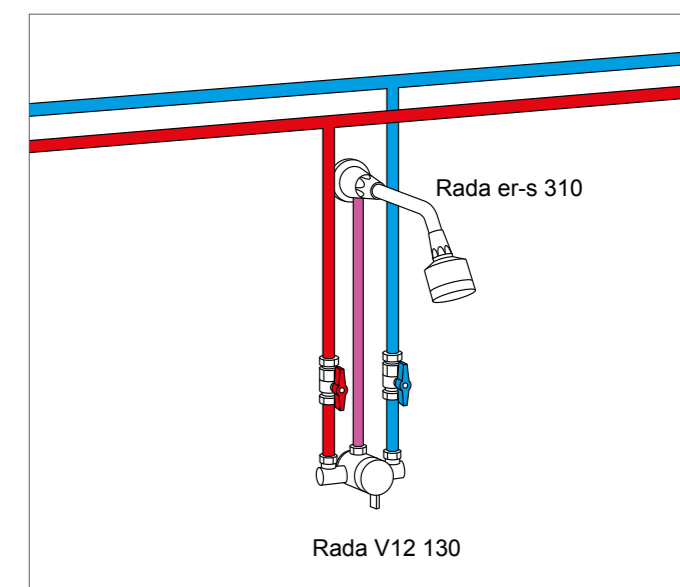
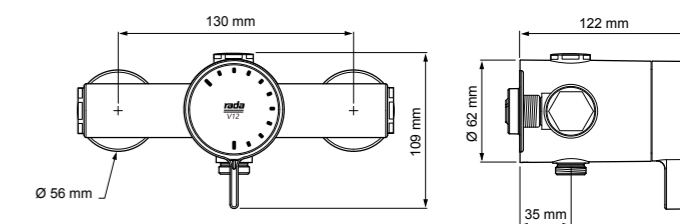
Rada VR Range – Shower Heads
 Rada er-s 310
 Rada EV Shower Fittings
 Rada EV – Heavy Duty Shower Fittings
 Rada SF1 10 EV – Shower Kit
 Rada SF1 20 EV – Shower Kit

DESCRIPTION

Surface mounted thermostatic shower valve certified to TMV3 performance. Sequential single lever operation from cold through to warm. Includes service-free cartridge, check valves, filters and optional flow regulators.

- Buildcert TMV3 Scheme Approved
- Single sequential operation from off-cold-warm
- Straight forward retrofit for installations with 130mm inlet centres eg. Meynell V8
- Light touch control complemented by easy to understand graphics to address the needs of all users, irrespective of age or ability
- Robust construction to withstand heavy usage in the commercial environment
- Supplied is a 9l/min flow regulator and a 6l/min for increased water saving

DIMENSIONS (MM) & INSTALLATION





RADA V12 DIVERTER

PRODUCT IMAGE



PRODUCT INFORMATION

PRODUCT CODE

1.1651.007

WEB

www.radacontrols.com/en/products/all-products/rada-v12-diverter/

COMPLEMENTARY PRODUCTS

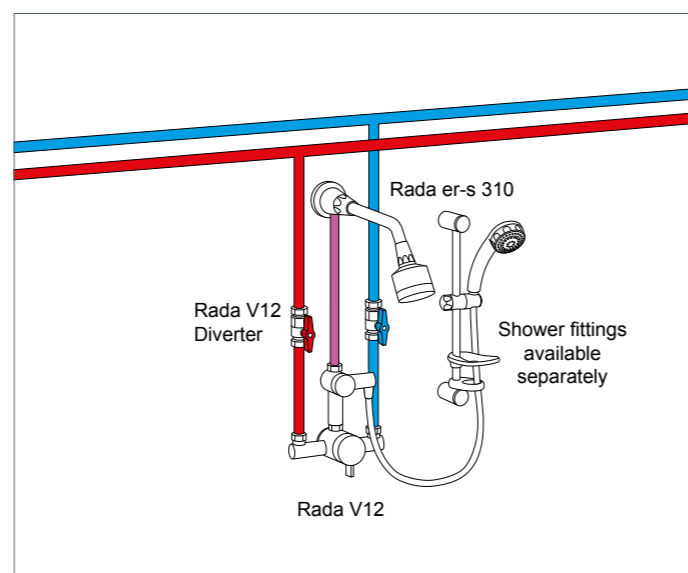
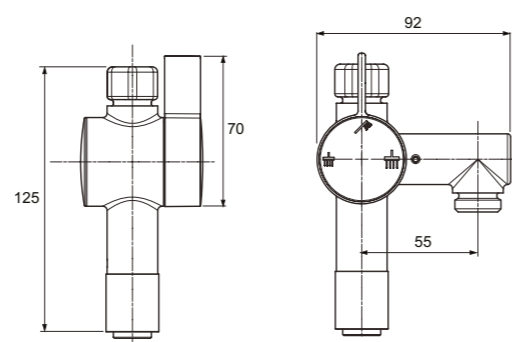
Rada V12 – Shower Valve
 Rada VR145 – Shower Head
 Rada ER-S 310 – Shower Fittings
 Rada SF1 10 EV – Shower Kit
 Rada SFI 20 EV – Shower Kit

DESCRIPTION

Exposed lever operated diverter valve designed for connection to the Rada V12 Exposed Shower. Three positions for standard fixed head, hand-held shower handset and both running simultaneously.

- Two outlet diverter valve, designed to add extra convenience and flexibility to showering
- Designed for use with the Rada V12 Exposed shower valve
- Simple to use – allows you to divert water between two different outlets from the same shower valve, or to have both running simultaneously
- Suitable for either high or low pressure systems

DIMENSIONS (MM) & INSTALLATION



RADA V12 B DIVERTER

PRODUCT IMAGE



PRODUCT INFORMATION

PRODUCT CODE

1.1651.006

WEB

www.radacontrols.com/en/products/all-products/rada-v12-b-diverter/

COMPLEMENTARY PRODUCTS

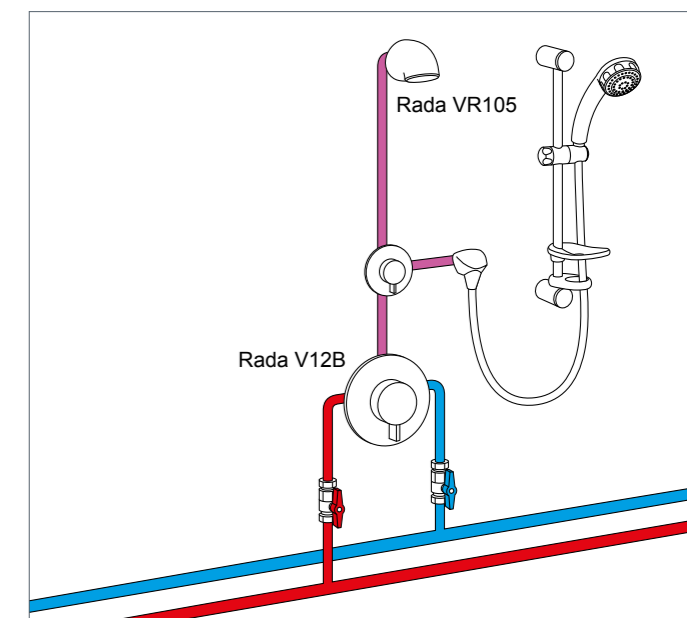
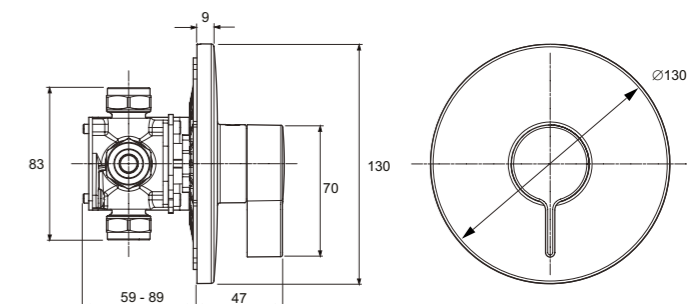
Rada V12 Concealed – Shower Valve
 Rada VR105 – Shower Head
 Rada VR2 CC – Shower Head
 Rada SH1 10 UK – Shower Head
 Rada SF1 20 BIV – Shower Kit
 Rada SF1 10 BIV – Shower Kit

DESCRIPTION

Concealed lever operated diverter valve designed for connection to the Rada V12 Concealed Shower. Two positions for standard fixed head and hand-held shower handset.

- Two outlet diverter valve, designed to add extra convenience and flexibility to showering
- Designed for use with the Rada V12 Concealed shower valve
- Simple to use – allows you to divert water between two different outlets from the same shower valve
- Suitable for either high or low pressure systems

DIMENSIONS (MM) & INSTALLATION





RADA V10

PRODUCT IMAGE



PRODUCT INFORMATION

PRODUCT CODE

1.1651.004

WEB

www.radacontrols.com/en/products/all-products/rada-v10-exposed-shower-valve/

COMPLEMENTARY PRODUCTS

Rada VR Range – Shower Heads
 Rada er-s
 Rada EV – Shower Fittings
 Rada EV – Heavy Duty Shower Fittings
 Rada V10 Rigid Riser – Accessory
 Rada VR105 – Shower Head
 Rada VR2 CC – Shower Head
 Rada SH1 10 UK – Shower Head
 Rada SF1 20 BIV – Shower Kit
 Rada SF1 10 BIV – Shower Kit

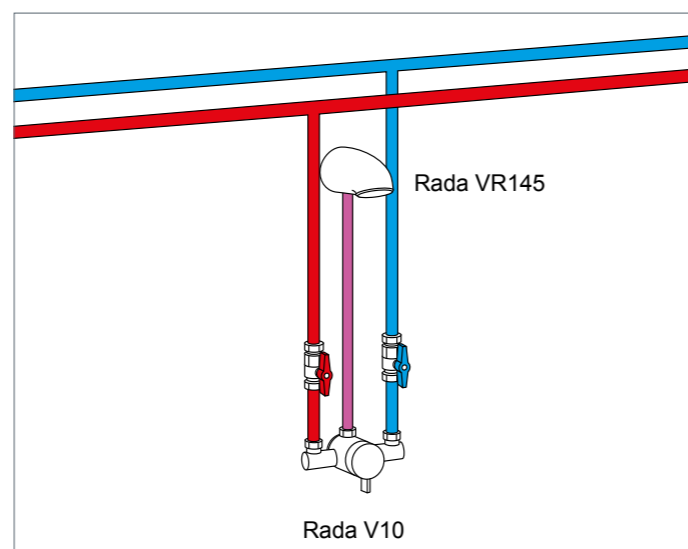
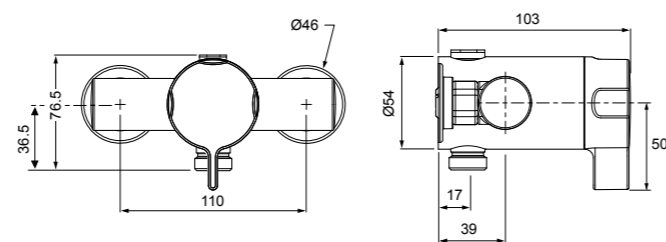
DESCRIPTION

Surface mounted, single sequential thermostatic shower valve. Supplied complete with integral strainers and optional flow regulators.

- Buildcert TMV2 Scheme Approved
- Single sequential operation off-cold-warm
- Easy grip handle complete with durable, clear graphics
- Robust construction to withstand heavy usage in the commercial environment
- Supplied is a 9l/min flow regulator and a 6l/min for increased water saving

Optional V10 rigid riser accessory – 1.1651.020
 Designed to connect the Rada V10 Exposed Shower valve to either the Rada VR145 or Rada VR2-ES Shower Head

DIMENSIONS (MM) & INSTALLATION



RADA V10 WITH ADJUSTABLE ELBOWS

PRODUCT IMAGE



PRODUCT INFORMATION

PRODUCT CODE

1.1651.179

WEB

www.radacontrols.com/en/products/all-products/rada-v10-thermostatic-shower-valve-with-adjustable-elbows/

COMPLEMENTARY PRODUCTS

Rada VR Range – Shower Heads
 Rada er-s
 Rada EV – Shower Fittings
 Rada EV – Heavy Duty Shower Fittings
 Rada V10 Rigid Riser – Accessory
 Rada VR105 – Shower Head
 Rada VR2 CC – Shower Head
 Rada SH1 10 UK – Shower Head
 Rada SF1 20 BIV – Shower Kit
 Rada SF1 10 BIV – Shower Kit

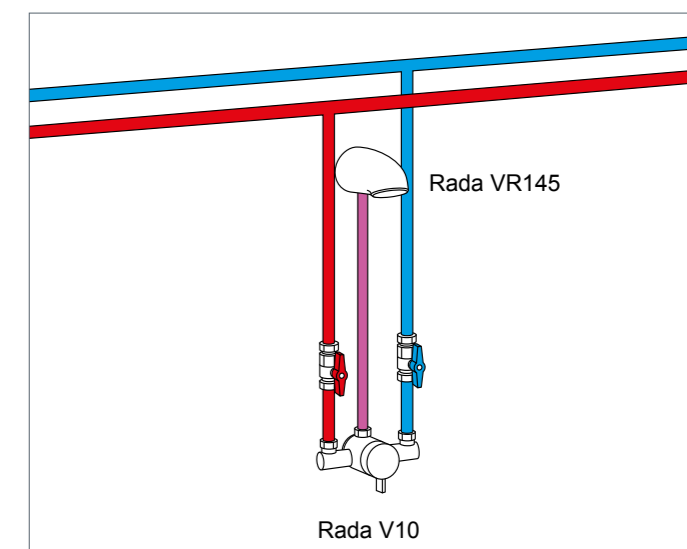
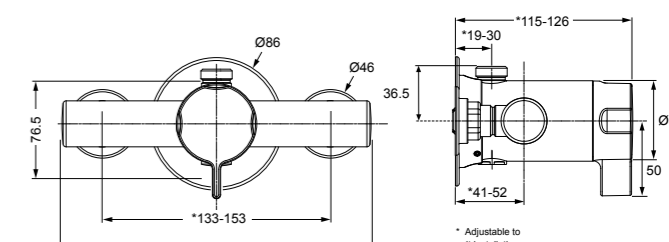
DESCRIPTION

Surface mounted, single sequential thermostatic shower valve with adjustable elbows. Supplied complete with integral strainers and optional flow regulators.

- TMV2 approved thermostatic shower valve suitable for commercial applications
- Single sequential operation off-cold-warm
- Adjustable elbows
- Easy grip handle complete with durable, clear graphics
- Robust construction to withstand heavy usage in the commercial environment
- Supplied is a 9l/min flow regulator and a 6l/min for increased water saving

Optional V10 rigid riser accessory – 1.1651.020
 Designed to connect the Rada V10 Exposed Shower valve to either the Rada VR145 or Rada VR-ES Shower Head

DIMENSIONS (MM) & INSTALLATION





RADA V10 CONCEALED

PRODUCT IMAGE



PRODUCT INFORMATION

PRODUCT CODE

1.1651.005

WEB

www.radacontrols.com/en/products/all-products/rada-v10-concealed-shower-valve/

COMPLEMENTARY PRODUCTS

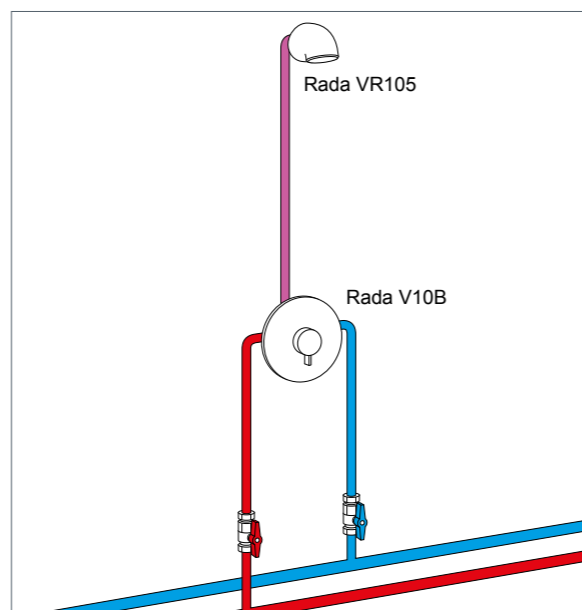
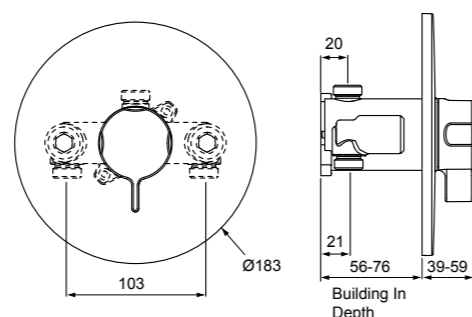
- Rada VR Range – Shower Heads
- Rada bsr-s/300 – Shower Fitting
- Rada EV – Shower Fittings
- Rada EV – Heavy Duty Shower Fittings
- Rada SH1 Shower Head
- Rada SF1 10 BIV – Shower Kit
- Rada SF1 20 BIV – Shower Kit

DESCRIPTION

Built-in, single sequential thermostatic shower valve. Supplied complete with integral strainers and optional flow regulators.

- Buildcert TMV2 Scheme Approved
- Single sequential operation off-cold-warm
- Easy grip handle complete with durable, clear graphics
- Robust construction to withstand heavy usage in the commercial environment
- Supplied is a 9l/min flow regulator and a 6l/min for increased water saving

DIMENSIONS (MM) & INSTALLATION



RADA V10 CONTRACT PACK

PRODUCT IMAGE



PRODUCT INFORMATION

PRODUCT CODE

1.1651.008

WEB

www.radacontrols.com/en/products/all-products/rada-v10-contract-pack/

COMPLEMENTARY PRODUCTS

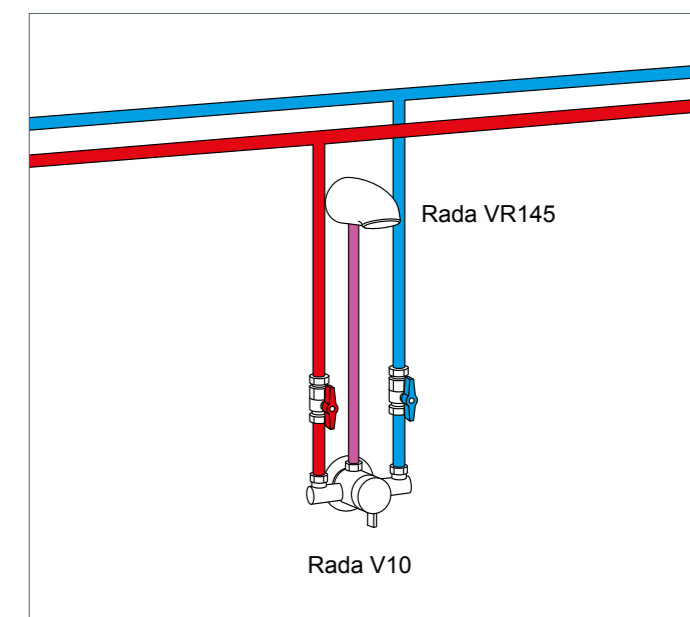
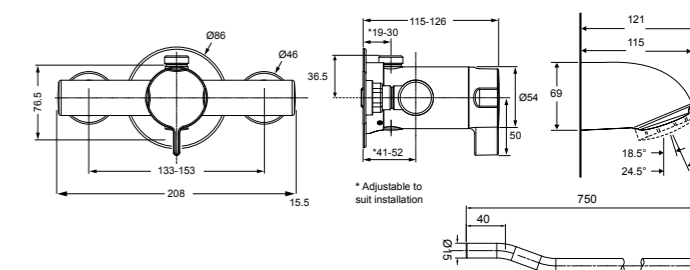
n/a

DESCRIPTION

Exposed, single sequential thermostatic shower valve. Supplied complete with integral strainers and optional flow regulators.

- Buildcert TMV2 Scheme Approved
- Supplied with vandal resistant shower head and rigid riser pipe
- Adjustable inlet fixing centres for easy replacement of most existing installations
- Single sequential operation from off-cold-warm
- Easy grip handle complete with durable, clear graphics
- Robust construction to withstand heavy usage in the commercial environment
- Supplied is a 9l/min flow regulator and a 6l/min for increased water saving

DIMENSIONS (MM) & INSTALLATION





RADA VZ1 10 THERMOSTATIC BAR VALVE

PRODUCT IMAGE



PRODUCT INFORMATION

PRODUCT CODE

Rada VZ1 10 Thermostatic Bar valve – 1.1900.050

WEB

www.radacontrols.com/en/products/all-products/rada-vz1-10-thermostatic-bar-valve/

COMPLEMENTARY PRODUCTS

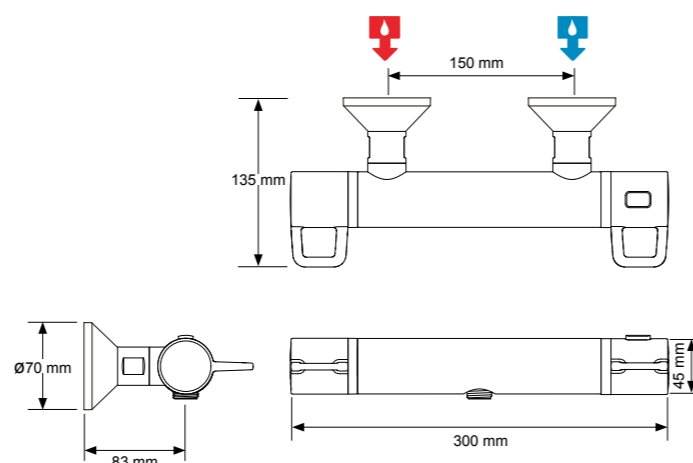
Rada SF1 10 EV – Shower Kit
Rada SFI 20 EV – Shower Kit
Rada EV Fittings and Heavy Duty Fittings Kits

DESCRIPTION

The Rada VZ1 10 Bar Valves offers enhanced safety, and a user-friendly showering experience for multi-residential spaces such as student accommodation. With separate controls for temperature and flow, its easy use and delivers a great showering experience even at low pressure.

- TMV2 approved, durable and easy to install
- Dual control for temperature and flow
- Safe cool touch shower valve
- Sleek and easy-to-use with simple lever handles
- Thermostatic temperature stability
- Supplied with 6 l/min flow regulator

DIMENSIONS (MM)



RADA EXACT-3

PRODUCT IMAGE



DESCRIPTION

1/2" exposed thermostatic shower control, incorporating Radatherm service-free cartridge. Pre-set maximum temperature stop. This product can also be used with a rising outlet when fixed to Rada er-s 310 kit, or VR145 and Rada Riser.

- Buildcert TMV3 Scheme Approved
- Independent flow and temperature controls for ease of use
- Adjustable elbows to allow top, bottom or rear entry pipe work
- Reversed inlet connections supported
- Service friendly – supplied with integral strainers and easy-change plug-in cartridge
- Connections: 15mm compression or 1/2" BSP

PRODUCT INFORMATION

PRODUCT CODE

1.0.408.01.3

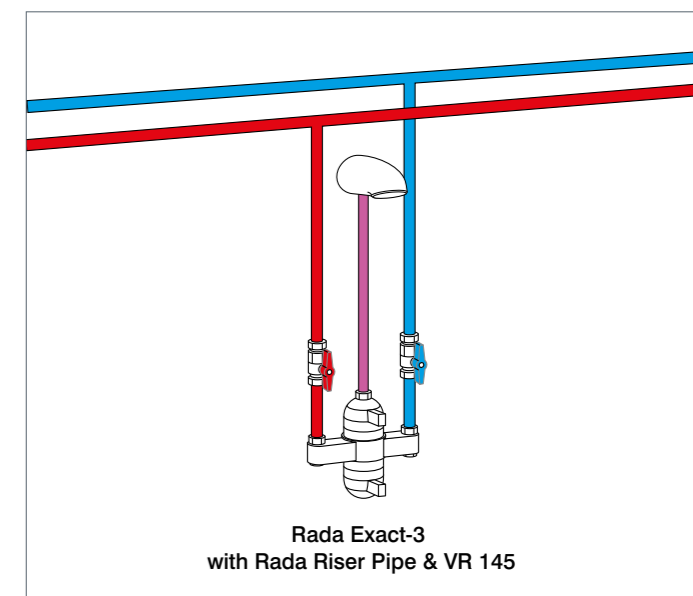
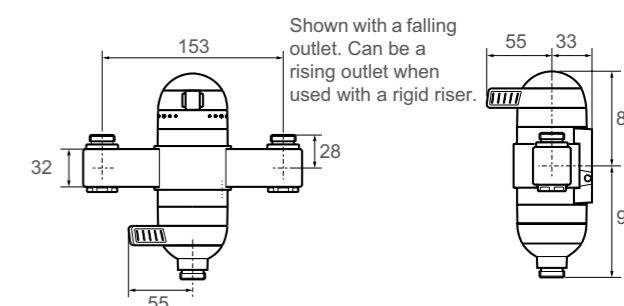
WEB

www.radacontrols.com/en/products/all-products/rada-exact-3/

COMPLEMENTARY PRODUCTS

Rada VR Range – Shower Heads
Rada er-s 310 – Shower Fitting
Rada EV Shower Fittings
Rada EV Heavy Duty Shower Fittings
Rada Riser Pipe
Rada SF1 10 EV – Shower Kit
Rada SF1 20 EV – Shower Kit

DIMENSIONS (MM) & INSTALLATION





RADA EXACT-3 B CHROME

PRODUCT IMAGE



PRODUCT INFORMATION

PRODUCT CODE

1.0.427.02.1

WEB

www.radacontrols.com/en/products/all-products/rada-exact-3b-chrome/

COMPLEMENTARY PRODUCTS

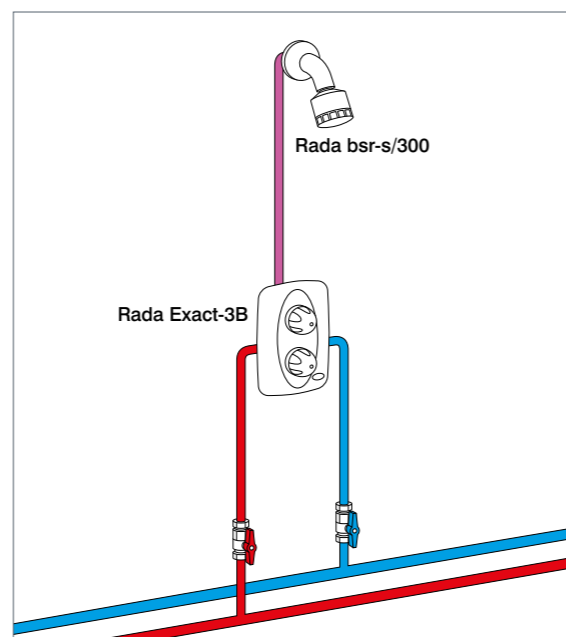
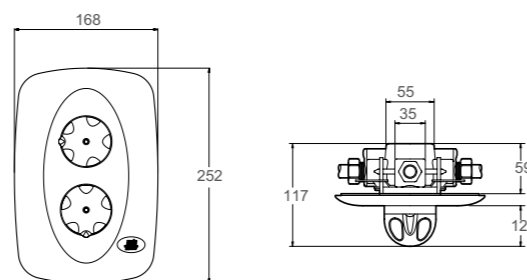
Rada VR Range – Shower Heads
 Rada bsr-s 300 – Shower Fittings
 Rada SF1 10 BIV – Shower Kit
 Rada SF1 20 BIV – Shower Kit
 Rada SH1 UK – Shower Head

DESCRIPTION

1/2" built-in thermostatic shower control, for concealed pipework, incorporating Radatherm service-free cartridge, ceramic disc flow control cartridge and check valve and strainer cartridges, housed within a chrome plated DZR brass body. This product can also be used with a rigid shower head such as VR105 or BSR-S 300 shower fitting.

- Buildcert TMV3 Scheme Approved
- Independent flow and temperature controls for ease of use
- Recessed for use with concealed pipe work
- Reversed inlet connections supported
- Service friendly – supplied with integral strainers and easy-change plug-in cartridge
- Connections: 15mm compression or 1/2" BSP

DIMENSIONS (MM) & INSTALLATION



RADA MEYNELL V8/3

PRODUCT IMAGE



PRODUCT INFORMATION

PRODUCT CODE

PESM0563P

WEB

www.radacontrols.com/en/products/all-products/rada-meynell-v83/

COMPLEMENTARY PRODUCTS

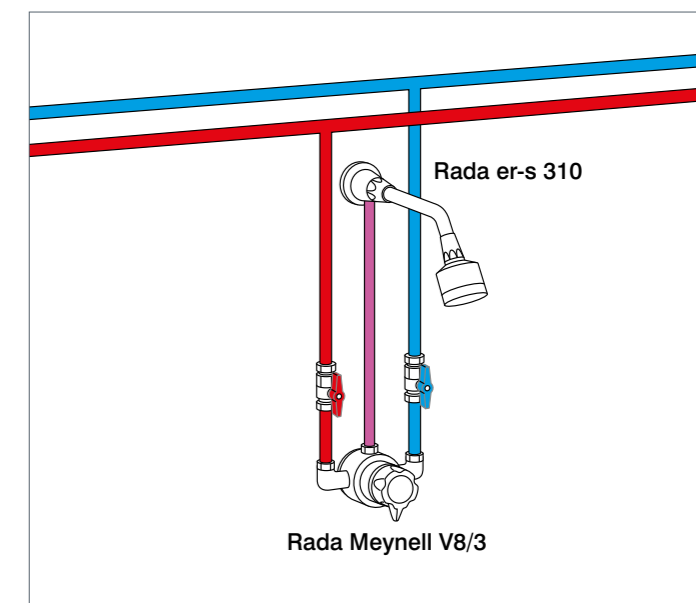
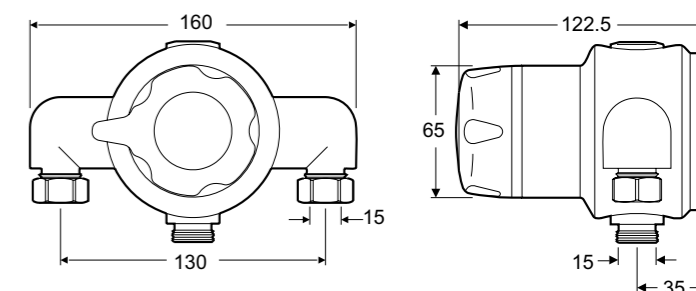
Rada VR Range – Shower Heads
 Rada er-s 310 – Shower Fitting
 Rada EV – Shower Fittings
 Rada EV – Heavy Duty Shower Fittings
 Rada SF1 10 BIV – Shower Kit
 Rada SF1 20 BIV – Shower Kit

DESCRIPTION

1/2" exposed single sequential thermostatic mixing valve. Supplied complete with integral strainers.

- Single sequential control for ease of use
- High flow rates at low pressure
- Robust and durable
- Connections: (Inlets) 15mm compression. (Outlet) Reversible outlet connector: 1/2" BSP male or 15mm compression

DIMENSIONS (MM) & INSTALLATION





RADA MEYNELL V8/3 B

PRODUCT IMAGE



PRODUCT INFORMATION

PRODUCT CODE

PRSM0563P

WEB

www.radacontrols.com/en/products/all-products/rada-meynell-v83-b/

COMPLEMENTARY PRODUCTS

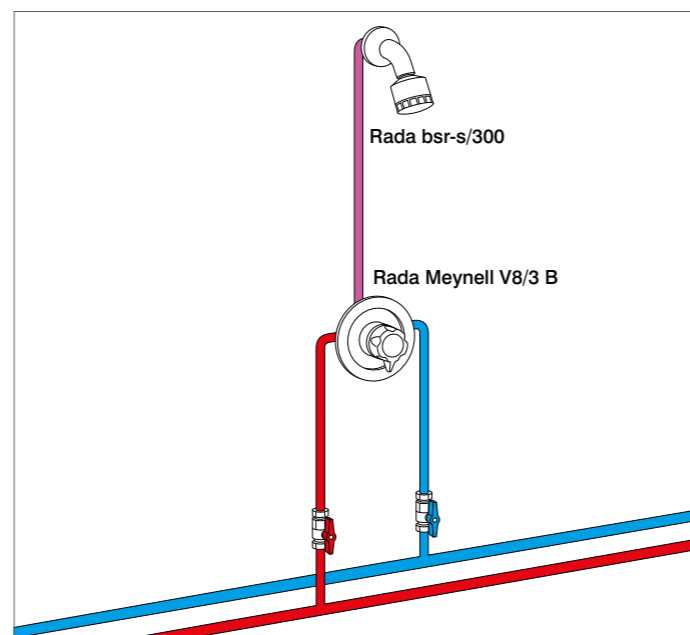
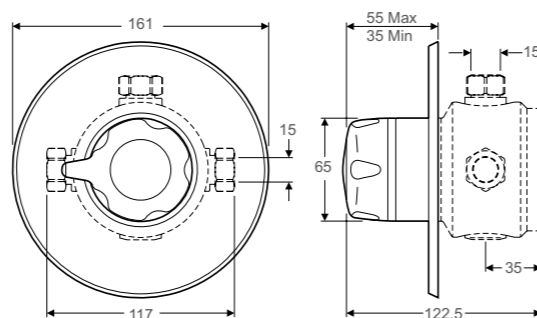
Rada VR Range – Shower Heads
 Rada bsr-s/300 – Shower Fitting
 Rada EV Shower Fittings
 Rada EV Heavy Duty Shower Fittings
 Rada RAC Connector

DESCRIPTION

1/2" built-in single sequential thermostatic mixing valve. Supplied complete with integral strainers.

- Single sequential control for ease of use
- Recessed for use with concealed pipe work
- High flow rates at low pressure
- Connections: (Inlets) 15mm compression. (Outlet) Reversible outlet connector: 1/2" BSP male or 15mm compression

DIMENSIONS (MM) & INSTALLATION



RADA MEYNELL V8/3 L

PRODUCT IMAGE



PRODUCT INFORMATION

PRODUCT CODE

PESM0625P

WEB

www.radacontrols.com/en/products/all-products/rada-meynell-v83-l/

COMPLEMENTARY PRODUCTS

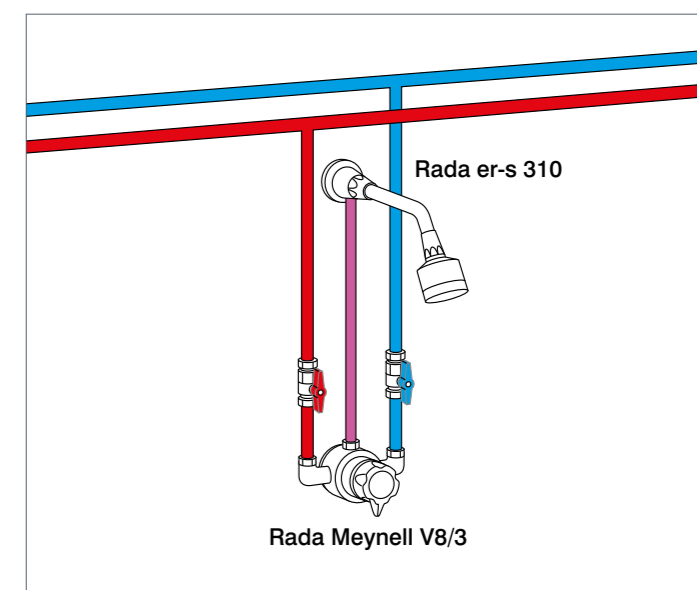
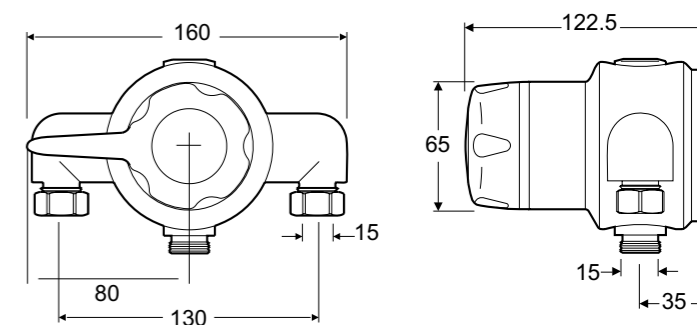
Rada VR Range – Shower Heads
 Rada er-s 310 – Shower Fitting
 Rada EV Shower Fittings
 Rada EV Heavy Duty Shower Fittings
 Rada SF1 10 BIV – Shower Kit
 Rada SF1 20 BIV – Shower Kit

DESCRIPTION

1/2" exposed single sequential thermostatic mixing valve with long lever for less abled use. Supplied complete with integral strainers.

- Single sequential control for ease of use
- High flow rates at low pressure
- Robust and durable
- Connections: (Inlets) 15mm compression. (Outlet) Reversible outlet connector: 1/2" BSP male or 15mm compression

DIMENSIONS (MM) & INSTALLATION





RADA MEYNELL V8/3 BL

PRODUCT IMAGE



PRODUCT INFORMATION

PRODUCT CODE

PRSM0625P

WEB

www.radacontrols.com/en/products/all-products/rada-meynell-v83-bl/

COMPLEMENTARY PRODUCTS

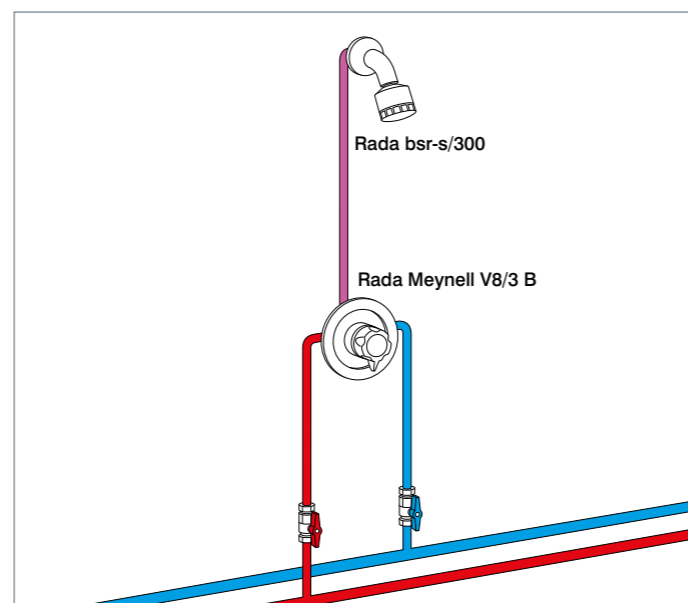
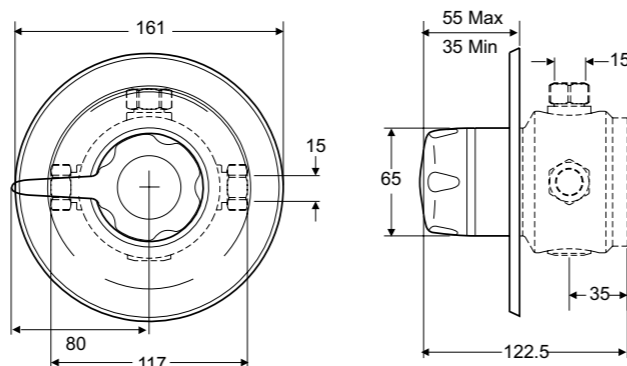
- Rada VR Range – Shower Heads
- Rada bsr-s 300 – Shower Fitting
- Rada RAC Connector
- Rada EV Shower Fittings
- Rada EV Heavy Duty Shower Fittings
- Rada SF1 10 BIV – Shower Kit
- Rada SF1 20 BIV – Shower Kit

DESCRIPTION

½" built-in single sequential thermostatic mixing valve with long lever for less abled use. Supplied complete with integral strainers.

- Single sequential control for ease of use
- Recessed for use with concealed pipe work
- High flow rates at low pressure
- Connections: (Inlets) 15mm compression. (Outlet) Reversible outlet connector: ½" BSP male or 15mm compression

DIMENSIONS (MM) & INSTALLATION



RADA PA – V8VR2/V8VR2W

PRODUCT IMAGE



PRODUCT INFORMATION

PRODUCT CODE

Rada PA – V8VR2 (Stainless Steel) – 1.1613.142
Rada PA – V8VR2W (White) – 1.1613.143

WEB

www.radacontrols.com/en/products/all-products/rada-pa-v8vr2-shower-panel-assembly

COMPLEMENTARY PRODUCTS

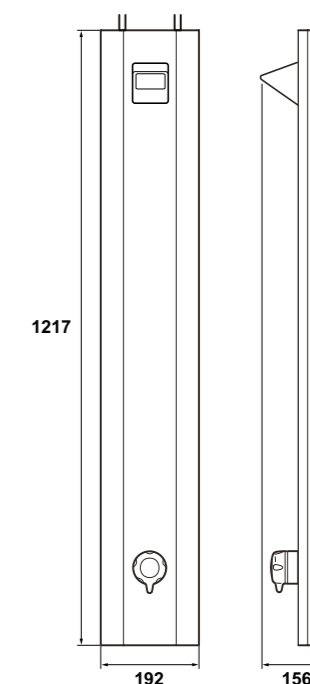
n/a

DESCRIPTION

Ready to install shower panel with hot and cold water pipe entry to a Rada Meynell V8/3, with a Rada VR2 vandal resistant chrome plated shower head. Available in stainless steel or white powder coated stainless steel.

- User selection of flow and temperature (up to a safe, pre-set maximum)
- Concealed pipe work which protects users from high surface temperatures
- Robust and durable materials used throughout
- Easy to install and maintain – integral isolators and flexible connections provided
- Connections: (Inlet) 15mm compression to both hot and cold water inlet pipes

DIMENSIONS (MM)





RADA PA – 15TF/15TFW

PRODUCT IMAGE



PRODUCT INFORMATION

PRODUCT CODE

Rada PA – 15TF (satin stainless steel) – 1.1613.044
Rada PA – 15TFW (white powder coated) – 1.1613.045

WEB

www.radacontrols.com/en/products/all-products/rada-pa-15tf-shower-panel-assembly/

COMPLEMENTARY PRODUCTS

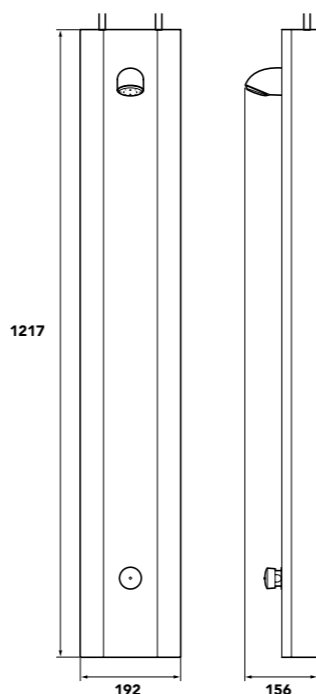
n/a

DESCRIPTION

Ready to install shower panel with hot and cold water pipe entry connecting to Rada Meynell 15/3, feeding a Rada TF503 push button timed flow control and Rada VR105 Shower Head. Available in satin stainless steel or white powder coated stainless steel.

- Buildcert TMV3 Scheme Approved
- Concealed pipe work which protects users from high surface temperatures
- Robust and durable materials used throughout
- Easy to install and maintain – integral isolators and flexible connections provided
- Connections: (Inlet) 15mm compression to both hot and cold water inlet pipe

DIMENSIONS (MM)



RADA PA – 215TF/215TFW

PRODUCT IMAGE



PRODUCT INFORMATION

PRODUCT CODE

Rada PA – 215TF (satin stainless steel) – 1.1613.046
Rada PA – 215TFW (white powder coated) – 1.1613.047

WEB

www.radacontrols.com/en/products/all-products/rada-pa-215tf-shower-panel-assembly/

COMPLEMENTARY PRODUCTS

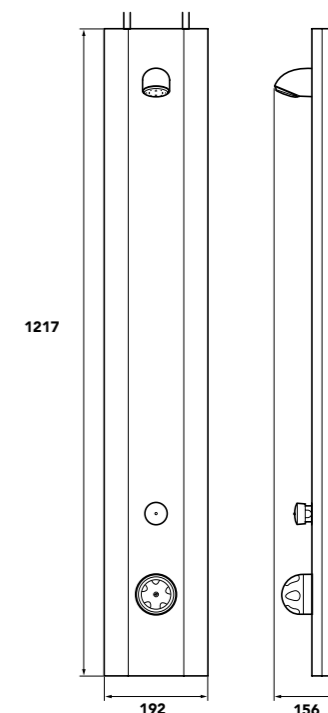
n/a

DESCRIPTION

Ready to install shower panel with hot and cold water pipe entry connection to a Rada 215-t3, with adjustable temperature selection, feeding a Rada TF503 push button timed flow control and Rada VR105 Shower Head. Available in satin stainless steel or white powder coated stainless steel.

- Buildcert TMV3 Scheme Approved
- User selection of flow and temperature (up to a safe, pre-set maximum)
- Concealed pipe work which protects users from high surface temperatures
- Robust and durable materials used throughout
- Easy to install and maintain – integral isolators and flexible connections provided
- Connections: (Inlet) 15mm compression to both hot and cold water inlet pipe

DIMENSIONS (MM)





PRESTO TF SHOWER PANEL

PRODUCT IMAGE



PRODUCT INFORMATION

PRODUCT CODE

27403

WEB

www.radacontrols.com/en/products/all-products/presto-tf-shower-panel-27403

COMPLEMENTARY PRODUCTS

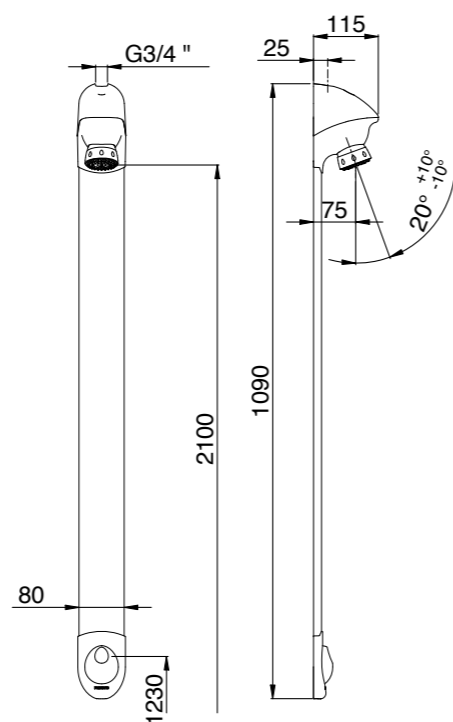
n/a

DESCRIPTION

A mechanical timed-flow single tap for shower with a straight stop valve.

- 1 to 5 bar working pressure
- Soft trigger suitable for PRM, children and the elderly
- 10l/min flow at 3 bar with integrated flow regulator in the shower head
- Anti-water-hammering design
- Fixed shower head with orientable shower jet and anti-limescale spikes
- Flow time of 30 seconds (± 5 sec.)
- Hydraulic supply: G 1/2" (15x21) top water inlet with straight stop valve (for cold or premixed water)
- Injected molded metal body and cover
- Extruded profile in aluminium (magnesium-silicon alloy 6060)
- Resistant to a temperature of 75°C for 30-minute-thermal-shocks
- Patented anti-blocking "S" system to avoid the water to flow continuously

DIMENSIONS (MM)



PRESTO TF SHOWER PANEL (BATTERY/MAINS)

PRODUCT IMAGE



PRODUCT INFORMATION

PRODUCT CODE

mains: 27479

battery: 27479

WEB

www.radacontrols.com/en/products/all-products/presto-elec-batt-shower-panel-27477

www.radacontrols.com/en/products/all-products/presto-elec-sensor-shower-main-27479

COMPLEMENTARY PRODUCTS

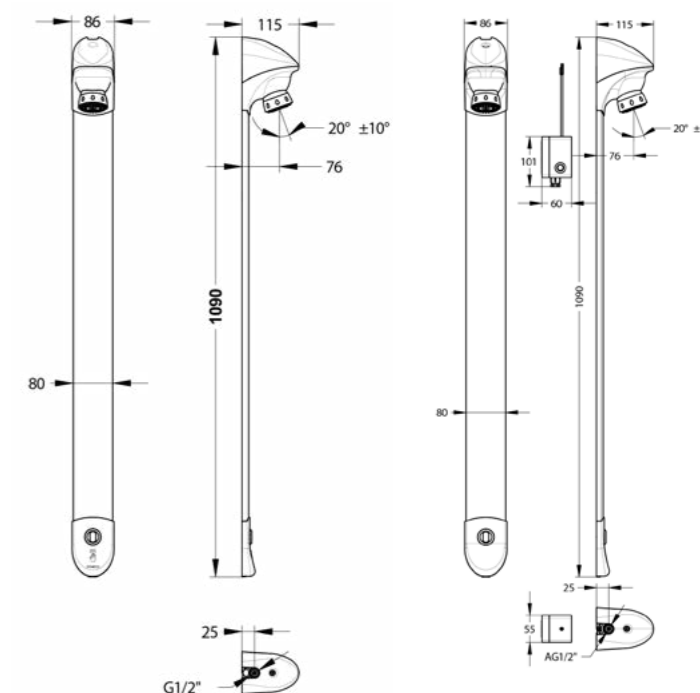
n/a

DESCRIPTION

This single electronic / sensor shower tap can be used with power supply or a 6V lithium battery.

- 1 to 5 bar working pressure
- 6 to 8 l/mn flow at 3 bar with integrated flow regulator
- Anti-water-hammering design
- Fixed shower head with orientable shower jet and anti-limescale spikes
- Hygienic electronic detection cell suitable for elderly and disabled people
- Detection range of the hand in front of the cell: 10 cm
- Flow time of 30 seconds – Adjustable through PRESTOCOM
- Start / stop function. Stop not possible during the first 10 seconds – Adjustable through PRESTOCOM
- Hydraulic supply: G 1/2" (15x21) top water inlet with straight stop valve (for cold water)
- Injected molded metal body and cover
- Extruded profile in Aluminium-Magnesium-Silicium alloy 6060
- Automatic shut-off of the solenoid valve in case of dead battery/power failure

DIMENSIONS (MM)



GROUP SHOWERING

Included in Rada's highly effective group showering solutions are thermostatic mixing valves with 15mm, 22mm and 28mm outlets that enable perfect temperature blending.

These can be combined with Rada's stylish, vandal-resistant shower heads and push button mechanical timed flow controls which prevent water being wasted. Electronic washroom control systems are also available with non-touch controls which promote increased levels of hygiene. Rada also offers pre-plumbed panels for group showering applications. Supplied ready to connect, these reduce installation times and are available with either mechanical or electronic timed flow controls.

For more information on the complementary products in this section, refer to the product index on pages 154 – 156.



RADA 425 IC

PRODUCT IMAGE



DESCRIPTION

Thermostatic mixing valve incorporating the patented Radatherm temperature cartridge, capable of close temperature control between 8 – 200 l/m.

- Ideal for large group showering installations
- Integral temperature stop limits maximum temperature
- Service friendly – supplied with integral isolators, check valves and strainers
- Surface Mounting. Angle inlet elbows incorporate isolating ball valves, check valves and strainers. Inlets & outlet connections are 28mm compression

PRODUCT INFORMATION

PRODUCT CODE

1.1847.005

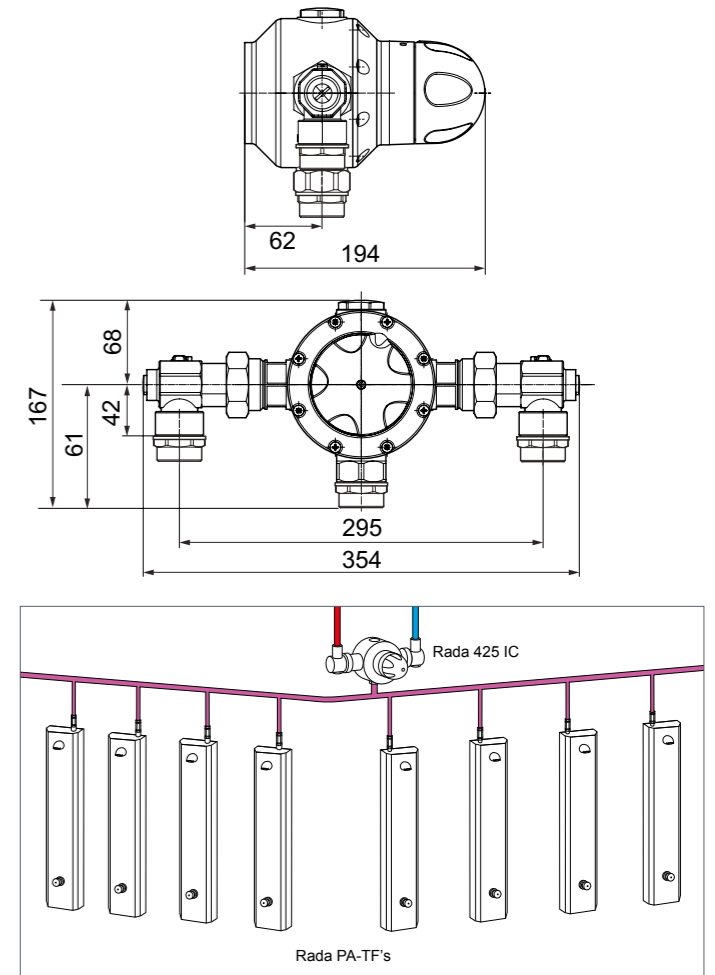
WEB

www.radacontrols.com/en/products/all-products/rada-425-ic/

COMPLEMENTARY PRODUCTS

- Rada VR Range – Shower Heads
- Rada Pulse Showering – Electronic Timed Flow Control
- Rada PA-TF – Shower Panel(s)
- Rada PA-ETF – Shower Panel(s)
- Rada Timed Flow Controls
- Rada S.PA 1 – Shower Panel

DIMENSIONS (MM) & INSTALLATION





RADA 320 IC

PRODUCT IMAGE



PRODUCT INFORMATION

PRODUCT CODE

1.1847.013

WEB

www.radacontrols.com/en/products/all-products/rada-320-ic/

COMPLEMENTARY PRODUCTS

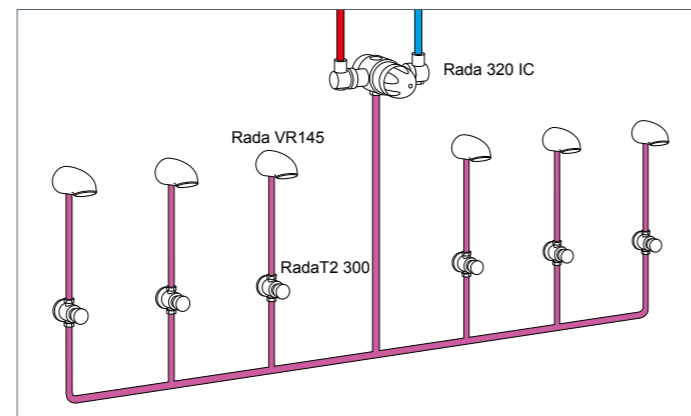
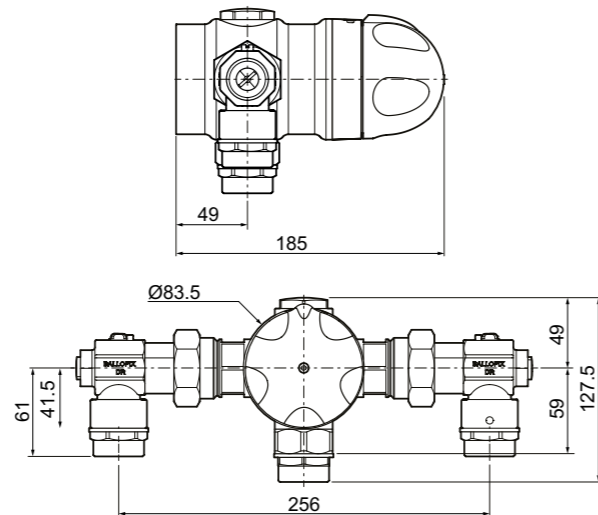
- Rada VR Range – Shower Heads
- Rada Pulse Showering – Electronic Timed Flow Control
- Rada PA-TF – Shower Panel(s)
- Rada PA-ETF – Shower Panel(s)
- Rada Timed Flow Controls
- Rada S.PA 1 – Shower Panel

DESCRIPTION

Thermostatic mixing valve incorporating the patented Radatherm temperature cartridge, capable of close temperature control between 6 – 120 l/m.

- Ideal for medium group showering installations
- Integral temperature stop limits maximum temperature
- Service friendly – supplied with integral isolators, check valves and strainers
- Surface Mounting. Angle inlet elbows incorporate isolating ball valves, check valves and strainers. Inlets & outlet connections are 28mm compression

DIMENSIONS (MM) & INSTALLATION



RADA 215-T3 C

PRODUCT IMAGE



PRODUCT INFORMATION

PRODUCT CODE

1.0.440.01.1

WEB

www.radacontrols.com/en/products/all-products/rada-215-t3-c-thermostatic-mixing-valve/

COMPLEMENTARY PRODUCTS

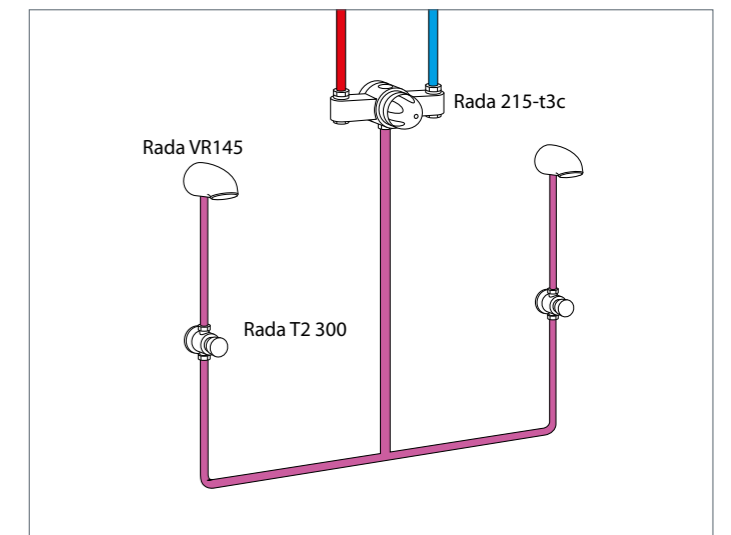
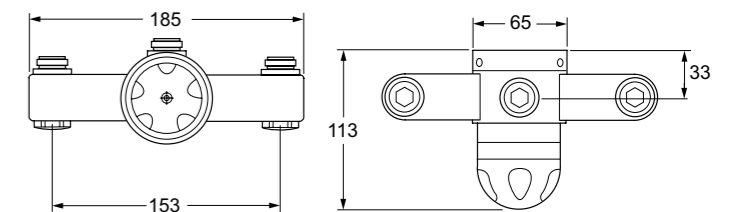
- Rada Timed Flow Controls
- Rada VR Range – Shower Heads

DESCRIPTION

½" thermostatic mixing valve incorporating Radatherm service-free cartridge, check valves and strainers. Supplied with ½" flat faced union connectors terminating in 15 mm compression connections.

- Buildcert TMV3 Scheme Approved
- Features a sealed service-free temperature cartridge
- Complete with check valves and strainers
- Connections: (Inlet/Outlet) ½" BSP external union or 15mm compression (nut and olive provided)

DIMENSIONS (MM) & INSTALLATION





RADA 215-T3 BC

PRODUCT IMAGE



PRODUCT INFORMATION

PRODUCT CODE

1.1624.001

WEB

www.radacontrols.com/en/products/all-products/rada-215-t3-bc-thermostatic-mixing-valve/

COMPLEMENTARY PRODUCTS

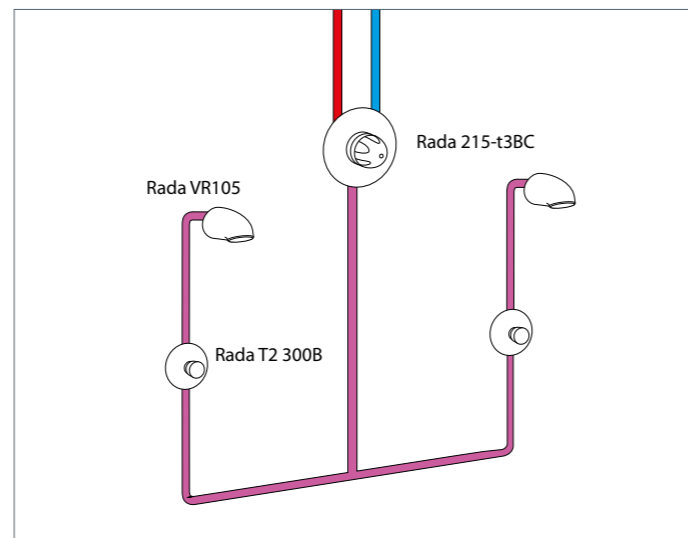
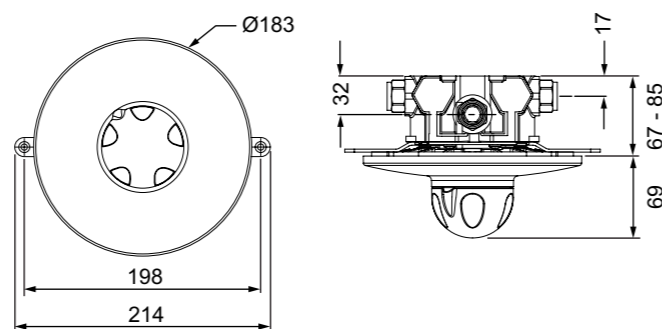
Rada Timed Flow Controls
Rada VR Range – Shower Heads

DESCRIPTION

1/2" thermostatic mixing valve incorporating a sealed, service free cartridge, non-return valves, strainers and integral isolating valves. Connections are 1/2" BSP external union or 15 mm compression.

- Buildcert TMV3 Scheme Approved
- Features a sealed 'service-free' temperature cartridge
- Complete with check valves and strainers
- Connections: (Inlet/Outlet) 1/2" BSP external union or 15mm compression (nut and olive provided)

DIMENSIONS (MM) & INSTALLATION



RADA MEYNELL V8/3 K

PRODUCT IMAGE



PRODUCT INFORMATION

PRODUCT CODE

PESM0626P

WEB

www.radacontrols.com/en/products/all-products/rada-meynell-v83-k/

COMPLEMENTARY PRODUCTS

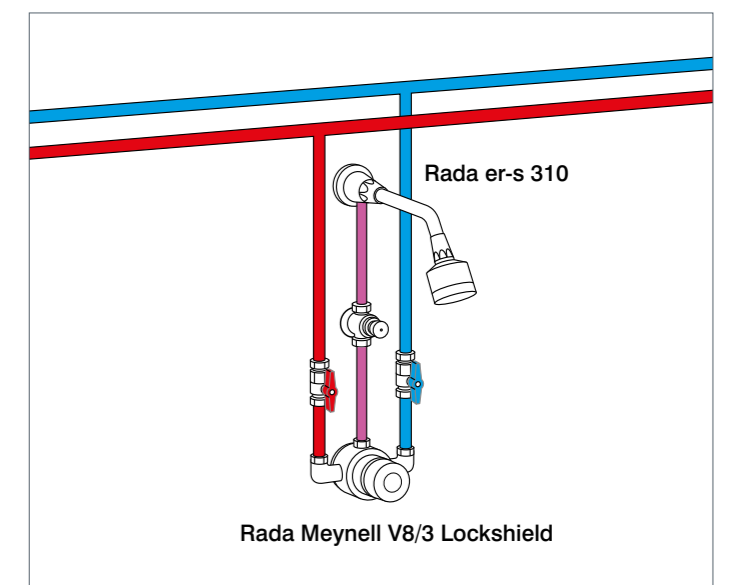
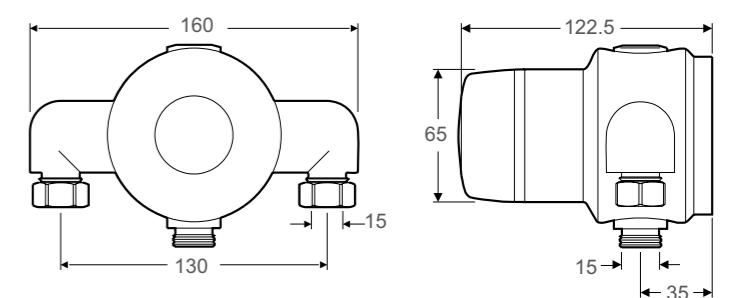
Rada Timed Flow Controls
Rada VR Range – Shower Heads
Rada ERs310 – Shower Fittings

DESCRIPTION

1/2" exposed 'lockshield' thermostatic mixing valve featuring a tamper proof cover with pre-set maximum temperature stop facility adjustable to suit site requirements. Supplied complete with integral check valves and strainers.

- Buildcert TMV2 Scheme Approved
- High flow rates at low pressure
- Robust and durable
- Connections: (Inlets) 15mm compression. (Outlet) Reversible outlet connector: 1/2" BSP male or 15mm compression

DIMENSIONS (MM) & INSTALLATION





RADA S.PA 1 SHOWER PANEL

PRODUCT IMAGE



PRODUCT INFORMATION

PRODUCT CODE

silver – 1.1776.001
white – 1.1776.002

WEB

www.radacontrols.com/en/products/all-products/rada-spa-1-shower-panel

COMPLEMENTARY PRODUCTS

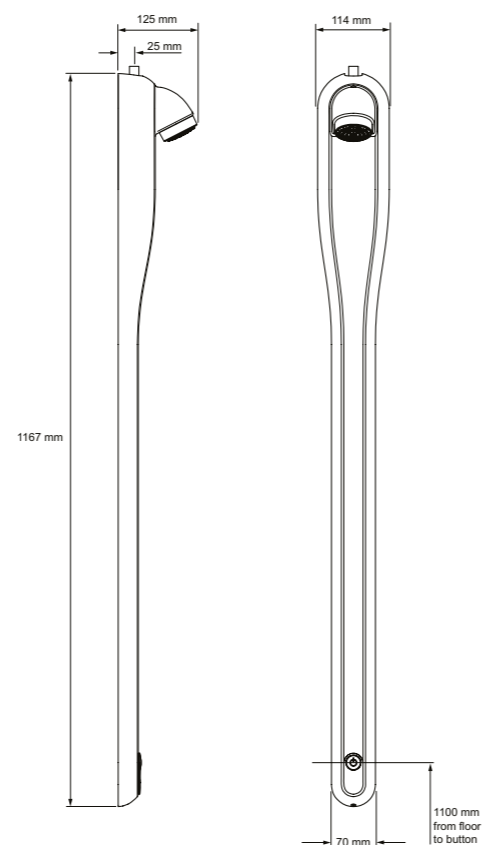
Rada 320 IC – Group Mixing Valve
Rada 425 IC – Group Mixing Valve
Rada Meynell 15/3 Thermostatic Mixing Valve

DESCRIPTION

Ready to install slimline shower panel manufactured from a stain resistant acrylic resin stone, available in either silver or white finish. Single pipe entry for connection to a pre-blended supply, offering programmable shower times, automatic duty flushing and duty flush run times.

- Pre-plumbed shower panel with electronic timed flow control for connection to a pre-blended supply
- Panel powered by Hybrid Energy System – eliminating need for regular battery replacement (mains power not required), offering up to 10 years life
- Water & Energy Saving – Shower will automatically stop after pre-programmed time – prevents users leaving running
- BREEAM compliant flow rates
- Aids Legionella Control Compliance – through automated duty flushing
- Panel can be programmed to suit site preferences – Select from a choice of shower run times, duty flush intervals & duty flush run times
- Robust Construction – tri-laminate acrylic capped resin stone casing, resistant to water staining

DIMENSIONS (MM)



RADA PA – TF/TFW

PRODUCT IMAGE



PRODUCT INFORMATION

PRODUCT CODE

satin stainless steel – 1.1613.040
white powder coated – 1.1613.041

WEB

www.radacontrols.com/en/products/all-products/rada-pa-tf-shower-panel-assembly/

COMPLEMENTARY PRODUCTS

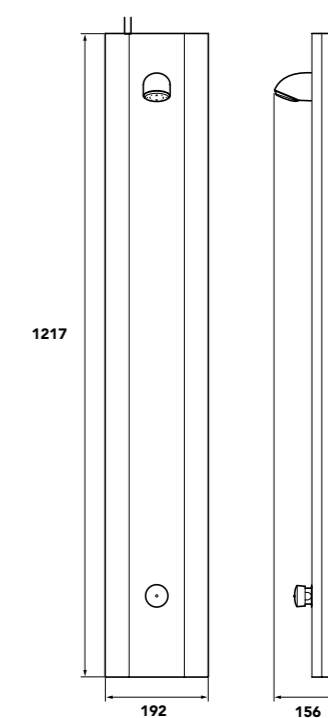
Rada 320 IC – Group Mixing Valve
Rada 425 IC – Group Mixing Valve
Rada Meynell 15/3 Thermostatic Mixing Valve

DESCRIPTION

Ready to install panel with single pipe entry for connection to pre-blended supply, incorporating a Rada TF503 push button timed flow control and Rada VR105 vandal resistant shower head. Available in satin stainless steel or white finish.

- Concealed pipe-work which protects users from high surface temperatures
- Robust & durable materials used throughout
- Easy to install and maintain – Integral isolator and flexible connection provided
- Connections: (Inlet) 15mm

DIMENSIONS (MM)





RADA PA – ETF

PRODUCT IMAGE



PRODUCT INFORMATION

PRODUCT CODE

1.1613.042

WEB

www.radacontrols.com/en/products/all-products/rada-pa-etf-shower-panel-assembly/

COMPLEMENTARY PRODUCTS

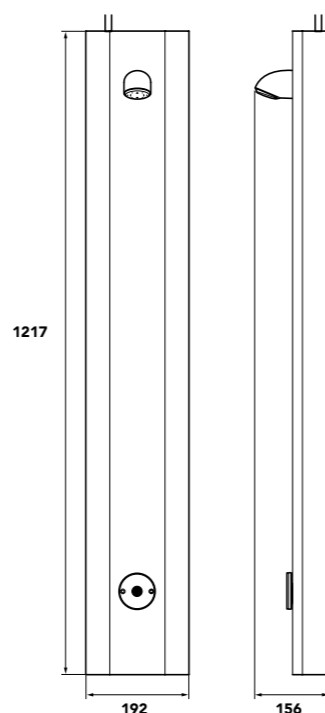
Rada 320 IC – Group Mixing Valve
Rada 425 IC – Group Mixing Valve
Rada Pulse Control Box
Rada Pulse Hand Held Programmer

DESCRIPTION

Ready to install satin finish stainless steel panel with single pipe entry for connection to pre-blended supply, incorporating Rada Pulse 129 electronic timed flow operating system with hygienic "no-touch" sensor (for connection to Rada Pulse Control Box) and Rada VR105 Shower Head.

- Concealed pipe-work which protects users from high surface temperatures
- Robust & durable materials used throughout
- Easy to install and maintain – Integral isolator and flexible connection provided
- Connections: (Inlet) 15mm compression to blended water inlet pipe

DIMENSIONS (MM)



RADA T1 300 TIMED FLOW CONTROL

PRODUCT IMAGE



PRODUCT INFORMATION

PRODUCT CODE

2.1762.055

WEB

www.radacontrols.com/en/products/all-products/rada-t1-300-timed-flow-control/

COMPLEMENTARY PRODUCTS

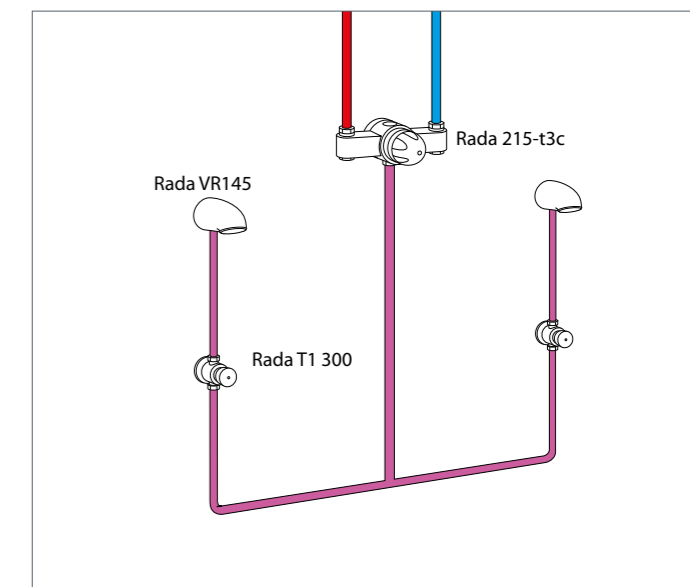
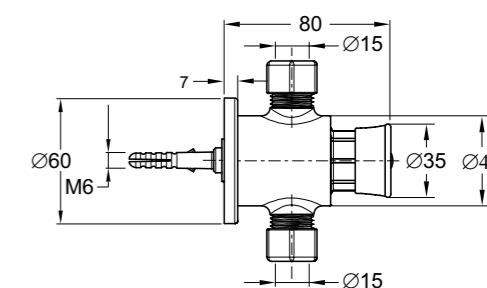
Rada VR145 – Shower Head
Rada VR2-ES – Shower Head

DESCRIPTION

Surface mount, chrome finish, push button shower control with 30 (±10) seconds time flow.

- Water saving
- Robust design
- Easy to service one piece cartridge
- Ideal for group showering applications
- Adjustable flow rate
- Soft closing action
- 15mm compression connections

DIMENSIONS (MM) & INSTALLATION





RADA T2 300 TIMED FLOW CONTROL

PRODUCT IMAGE



PRODUCT INFORMATION

PRODUCT CODE

2.1762.063

WEB

www.radacontrols.com/en/products/all-products/rada-t2-300-timed-flow-control/

COMPLEMENTARY PRODUCTS

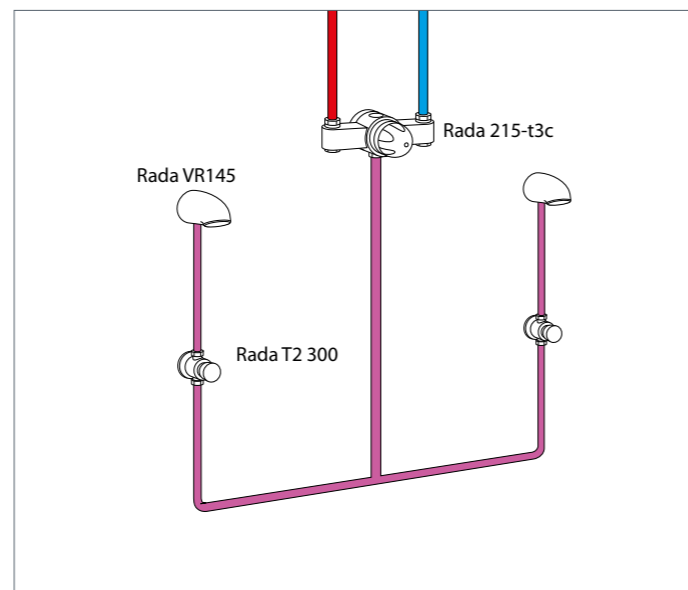
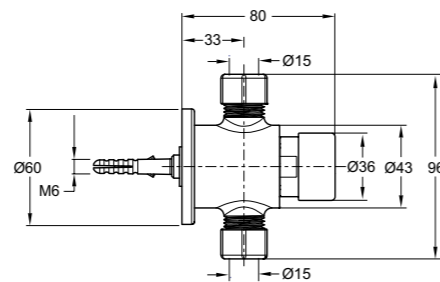
Rada VR145 – Shower Head
Rada VR2-ES – Shower Head

DESCRIPTION

Surface mount, chrome finish, push button shower control with 30 (±10) seconds time flow.

- Water saving
- Aesthetic and robust design
- Easy to service one piece cartridge
- Soft closing action
- Adjustable flow rate
- 15mm compression connections

DIMENSIONS (MM) & INSTALLATION



RADA T2 300B TIMED FLOW CONTROL

PRODUCT IMAGE



PRODUCT INFORMATION

PRODUCT CODE

2.1762.061

WEB

www.radacontrols.com/en/products/all-products/rada-t2-300b-timed-flow-control/

COMPLEMENTARY PRODUCTS

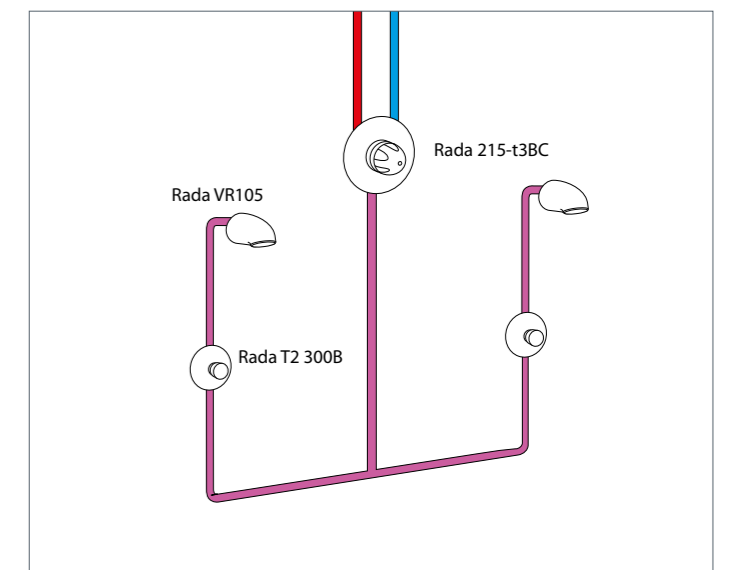
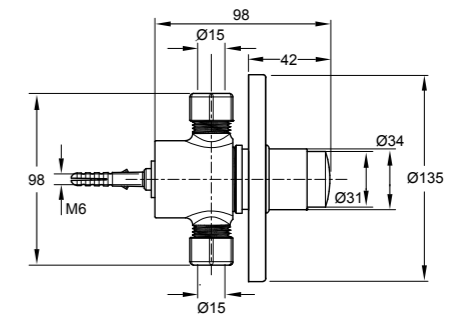
Rada VR 115 – Shower Head
Rada 105 VR2 RS CC – Shower Head

DESCRIPTION

Built in, chrome finish, push button shower control with 30 (±10) seconds time flow.

- Water saving
- Aesthetic and robust design
- Easy to service one piece cartridge
- Soft closing action
- Adjustable flow rate
- 15mm compression connections

DIMENSIONS (MM) & INSTALLATION





RADA T2 320 TIMED FLOW CONTROL

PRODUCT IMAGE



PRODUCT INFORMATION

PRODUCT CODE

2.1762.062

WEB

www.radacontrols.com/en/products/all-products/rada-t2-320-timed-flow-control/

COMPLEMENTARY PRODUCTS

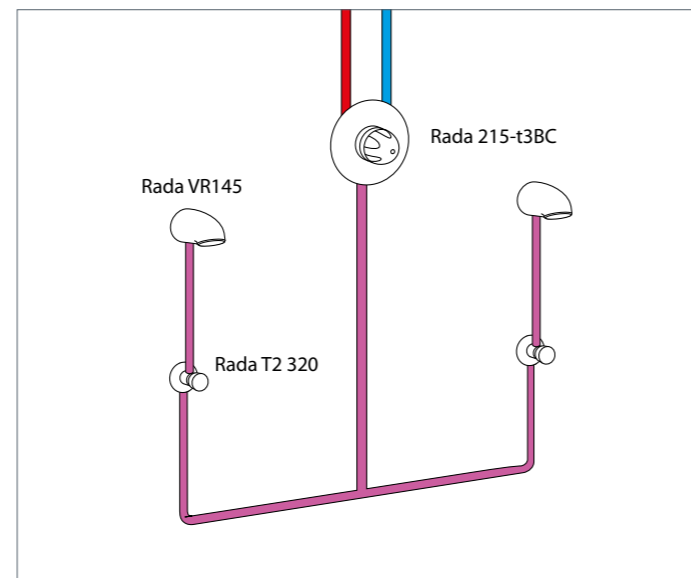
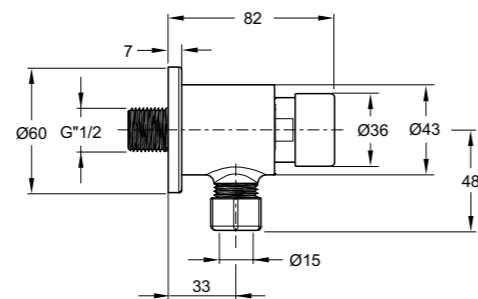
Rada VR145 – Shower Head
Rada VR2-ES – Shower Head

DESCRIPTION

Surface mount rear fed, chrome finish, push button shower control with 30 (±10) seconds time flow.

- Water saving
- Aesthetic and robust design
- Easy to service one piece cartridge
- Soft closing action
- Adjustable flow rate
- ½" BSP flat face inlet, 15mm compression outlet

DIMENSIONS (MM) & INSTALLATION



RADA TF 31/1, 31/2, 31/3 TIMED FLOW CONTROL

PRODUCT IMAGE



PRODUCT INFORMATION

PRODUCT CODE

Rada TF31/1 – 1.0.095.01.1
Rada TF31/2 – 1.0.095.02.1
Rada TF31/3 – 1.0.095.03.1

WEB

www.radacontrols.com/en/products/all-products/rada-tf-311/
www.radacontrols.com/en/products/all-products/rada-tf-312/
www.radacontrols.com/en/products/all-products/rada-tf-313/

COMPLEMENTARY PRODUCTS

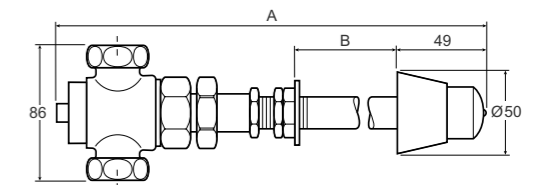
Rada VR105 – Shower Head
Rada VR115 – Shower Head
Rada VR2 CC – Shower Head
Rada AD35 – Extension Nipple

DESCRIPTION

½" push button flow control for duct mounting with 30 second timed flow and complete with extended rod options for extra security and varying wall thickness with 15 mm compression fittings. Incorporates internal flow adjuster.

- Water saving
- Vandal resistant
- Minimal maintenance
- Easy to use – push button controls
- Specially designed for prison applications
- Connections: 15mm compression. Alternatively a ¾" BSP male thread is available by removing the compression nuts

DIMENSIONS (MM)



MODEL	A OVERALL LENGTH	B WALL THICKNESS
TF31/1	340	100 – 140
TF31/2	380	142 – 182
TF31/3	445	206 – 246

HAND WASHING

No matter whether the priority is safety, hygiene or infection control, Rada's comprehensive product range, meets the requirements of many different hand washing applications.

The wide selection of taps includes electronic sensor spouts, integrated thermostatic taps, timed flow taps and even digitally programmable products – see 'Digital Washroom Controls' section. Each offers the ease of maintenance and cleaning, reliable performance and outstanding durability that you would expect from the Rada name.

For more information on the complementary products in this section, refer to the product index on pages 154 – 156.



RADA SAFETHERM THERMOSTATIC CLINICAL TAP

PRODUCT IMAGE



PRODUCT INFORMATION

PRODUCT CODE

1.1704.001

WEB

www.radacontrols.com/en/products/all-products/rada-safetherm/

COMPLEMENTARY PRODUCTS

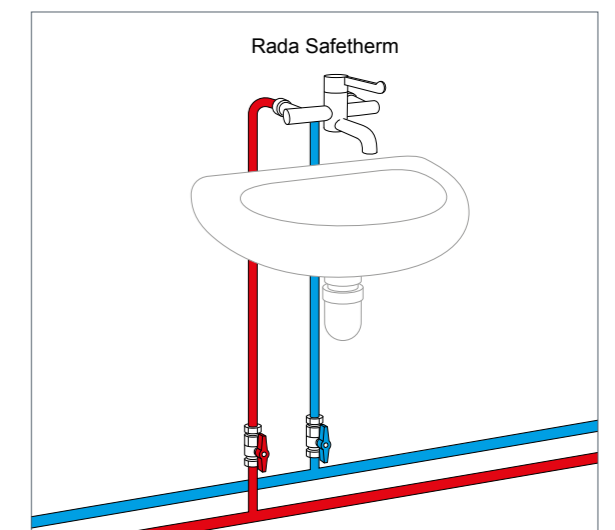
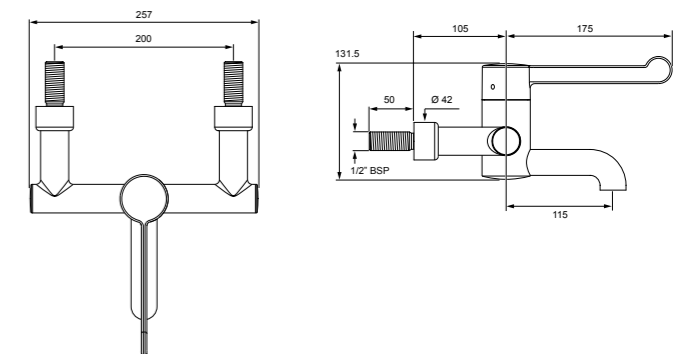
n/a

DESCRIPTION

TMV3 approved panel mounted, thermostatic mixer tap featuring Insutech+ technology. Long lever sequential operation, supplied complete with service-free cartridge, check valves, strainers and isolating ball valves.

- Buildcert TMV3 Scheme approved
- Compliant with UK Healthcare Guidelines
- Safe-to-touch. Features Insutech+ technology to reduce surface temperature to a safe level
- Innovative design minimises water retention in the body and spout, to contribute to improved bacterial control
- Sequential long lever control. Simple to use under hospital protocols
- Easy access to isolating valves and filters to support routine servicing
- Supplied with anti-microbial flow straightener

DIMENSIONS (MM) & INSTALLATION





RADA SAFETHERM BASIN MOUNT THERMOSTATIC CLINICAL TAP

PRODUCT IMAGE



PRODUCT INFORMATION

PRODUCT CODE

1.1704.002

WEB

www.radacontrols.com/en/products/all-products/rada-safetherm-basin-mount/

COMPLEMENTARY PRODUCTS

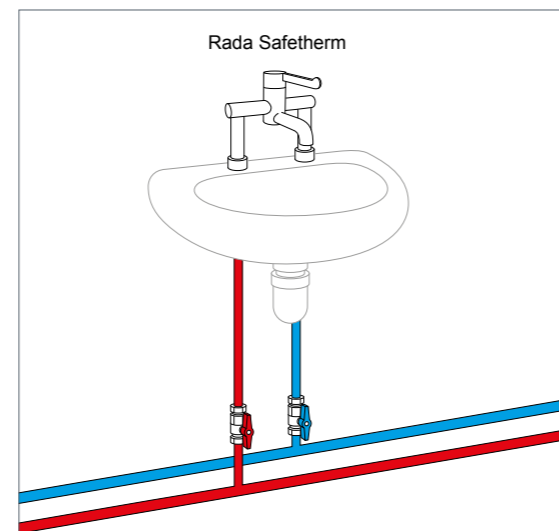
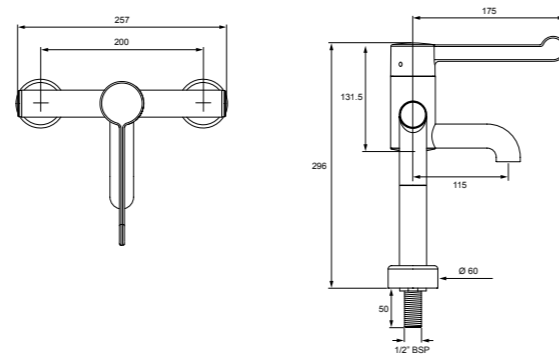
n/a

DESCRIPTION

TMV3 approved basin mounted, thermostatic mixer tap featuring Insutech+ technology. Long lever sequential operation, supplied complete with service-free cartridge, check valves, strainers and isolating ball valves.

- Buildcert TMV3 Scheme approved
- Compliant with UK Healthcare Guidelines
- Safe-to-touch. Features Insutech+ technology to reduce surface temperature to a safe level
- Innovative design minimises water retention in the body and spout, to contribute to improved bacterial control
- Sequential long lever control. Simple to use under hospital protocols
- Easy access to isolating valves and filters to support routine servicing and reduced down time
- Supplied with anti-microbial flow straightener

DIMENSIONS (MM) & INSTALLATION



RADA THERMOTAP-3S

PRODUCT IMAGE



PRODUCT INFORMATION

PRODUCT CODE

With copper tails – 1.1555.061
1.1555.010

WEB

www.radacontrols.com/en/products/all-products/rada-thermotap-3s-thermostatic-mixing-tap/

COMPLEMENTARY PRODUCTS

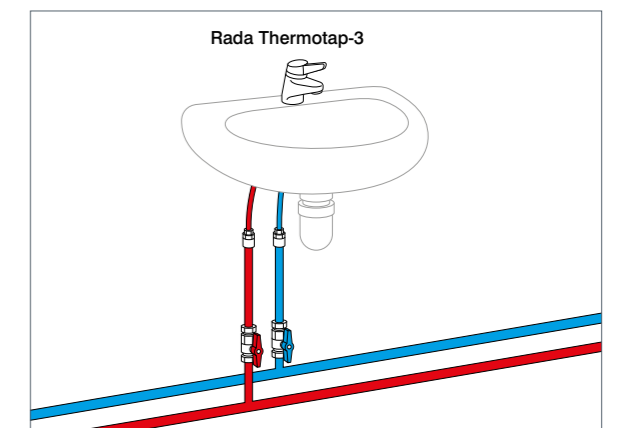
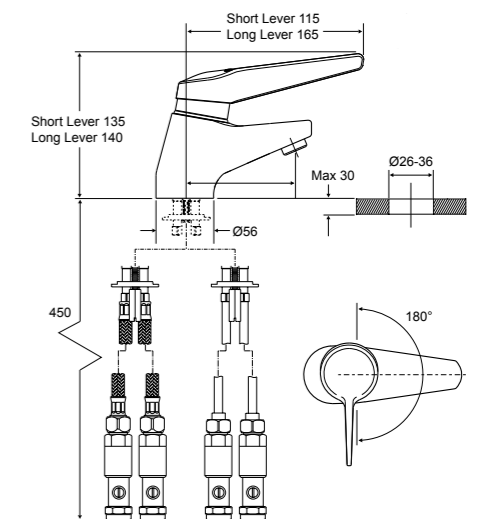
n/a

DESCRIPTION

Basin mounted thermostatic mixing tap with short lever control (100 mm), offering single sequential lever control from cold through to pre-settable maximum temperature. Supplied complete with flexible supply tails, check valves, isolators and strainers.

- Also available with copper supply tails (1.1555.061)
- Buildcert TMV3 Scheme Approved
- Single sequential lever operation – simple to use
- 100mm lever
- Check valves, strainers and isolators included, with a choice of either flexible or copper tail connections
- Connections: (Inlets) 15mm or 1/2" BSP male and either 10mm flexible hoses or 10mm copper tails
- Optional anti microbial flow straightener also available (1.1621.198)

DIMENSIONS (MM) & INSTALLATION





RADA THERMOTAP-3L

PRODUCT IMAGE



PRODUCT INFORMATION

PRODUCT CODE

With copper tails – 1.1555.062
1.1555.011

WEB

www.radacontrols.com/en/products/all-products/rada-thermotap-3l-thermostatic-mixing-tap/

COMPLEMENTARY PRODUCTS

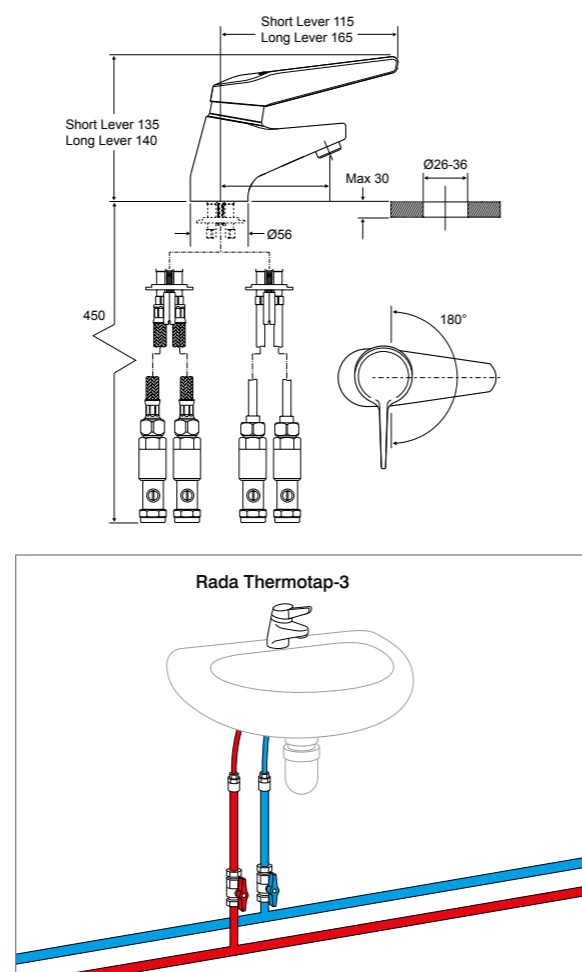
n/a

DESCRIPTION

Basin mounted thermostatic mixing tap with long lever control (150 mm), offering single sequential lever control from cold through to pre-settable maximum temperature. Supplied complete with flexible supply tails, check valves, isolators and strainers.

- Also available with copper supply tails (1.1555.062)
- Buildcert TMV3 Scheme Approved
- Single sequential lever operation – simple to use
- 150mm lever for less-abled use
- Check valves, strainers and isolators included, with a choice of either flexible or copper tail connections
- Connections: (Inlets) 15mm or ½" BSP male and either 10mm flexible hoses or 10mm copper tails
- Optional anti microbial flow straightener also available (1.1621.198)

DIMENSIONS (MM) & INSTALLATION



RADA 215-T3 DK

PRODUCT IMAGE



PRODUCT INFORMATION

PRODUCT CODE

1.0.407.06.3

WEB

www.radacontrols.com/en/products/all-products/rada-215-t3-dk-thermostatic-mixing-valve/

COMPLEMENTARY PRODUCTS

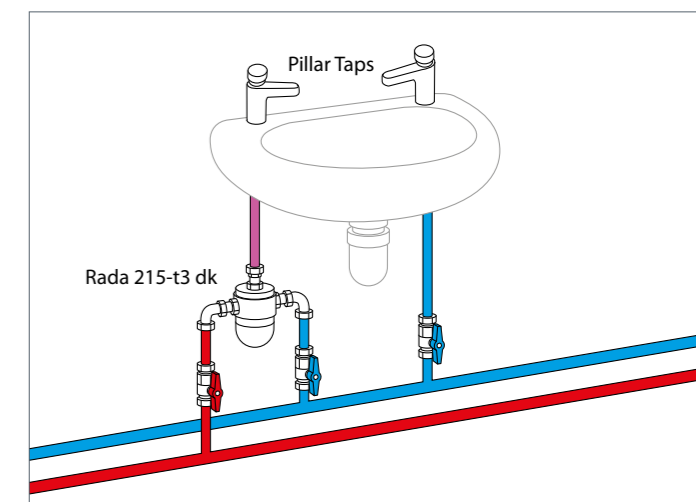
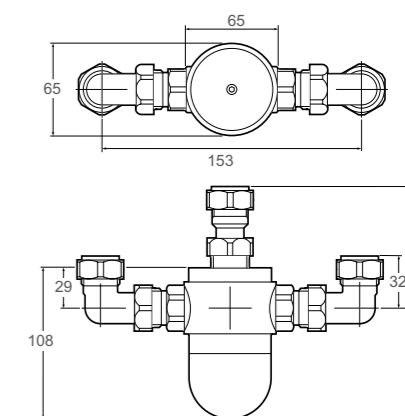
Rada Timed Flow Taps
Rada Pulse Range
Rada Basin Spouts

DESCRIPTION

½" thermostatic mixing valve incorporating Radatherm service-free cartridge, check valves and strainers. Supplied with ½" flat faced union connectors terminating in 15 mm compression connections.

- Buildcert TMV3 Scheme Approved
- Suitable for 'under-basin' or duct installation
- Features the unique patented 'Radatherm' service-free cartridge
- Complete with check valves and strainers
- Tamperproof temperature setting (locked cap)
- Connections: (Inlets & Outlet) ½" flat-faced male union. Note: 2 elbows and 1 straight union connector are supplied, terminating in 15mm compression connections

DIMENSIONS (MM) & INSTALLATION





RADA MEYNELL 15/3

PRODUCT IMAGE



PRODUCT INFORMATION

PRODUCT CODE

PESM0620J

WEB

www.radacontrols.com/en/products/all-products/rada-meynell-153-thermostatic-mixing-valve/

COMPLEMENTARY PRODUCTS

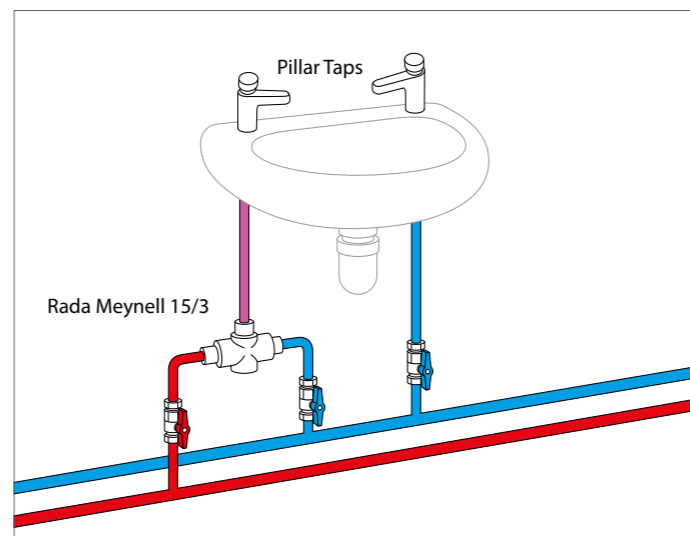
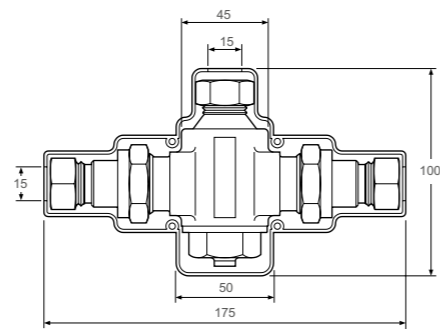
Rada Timed Flow Taps
Rada Pulse Range
Rada Basin Spouts

DESCRIPTION

1/2" point of use thermostatic mixing valve. Supplied complete with white plastic outer casing and integral check valves and strainers.

- Buildcert TMV3 Scheme Approved
- Suitable for 'under-basin' or duct installation
- Supplied in white easy-clean casing
- Complete with integral check valves and strainers
- Connections: (Inlets and Outlet) 15mm compression

DIMENSIONS (MM) & INSTALLATION



RADA T1 100 TIMED FLOW PILLAR TAP - HOT/COLD

PRODUCT IMAGE



PRODUCT INFORMATION

PRODUCT CODE

2.1762.056

WEB

www.radacontrols.com/en/products/all-products/rada-t1-100-timed-flow-pillar-tap-hot-or-cold/

COMPLEMENTARY PRODUCTS

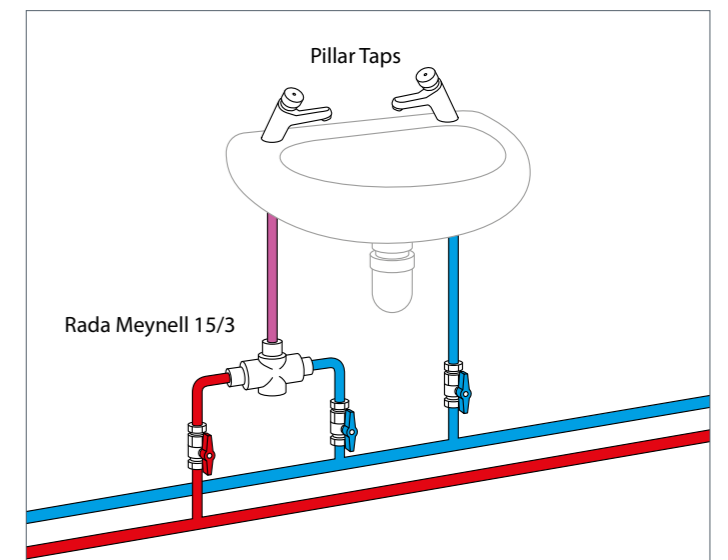
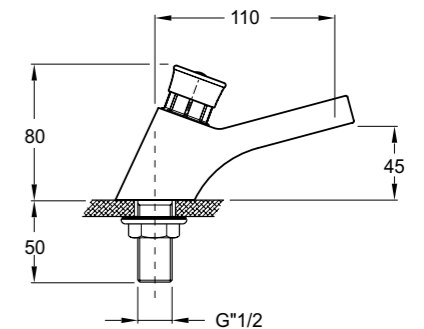
Rada Meynell 15/3
Rada 215-t3dk

DESCRIPTION

Basin mounted push button tap with 12 (±3) seconds time flow for use on basins or counter tops.

- Water saving
- Robust design
- Easy to service one piece cartridge
- Fits standard washbasins and tap holes
- Soft closing action
- Adjustable flow rate
- 1/2" BSP flat face inlet
- Red or blue temperature indicator included

DIMENSIONS (MM) & INSTALLATION





RADA T1 140 TIMED FLOW BIB TAP - HOT/COLD

PRODUCT IMAGE



PRODUCT INFORMATION

PRODUCT CODE

2.1762.057

WEB

www.radacontrols.com/en/products/all-products/rada-t1-140-timed-flow-bib-tap-hot-or-cold/

COMPLEMENTARY PRODUCTS

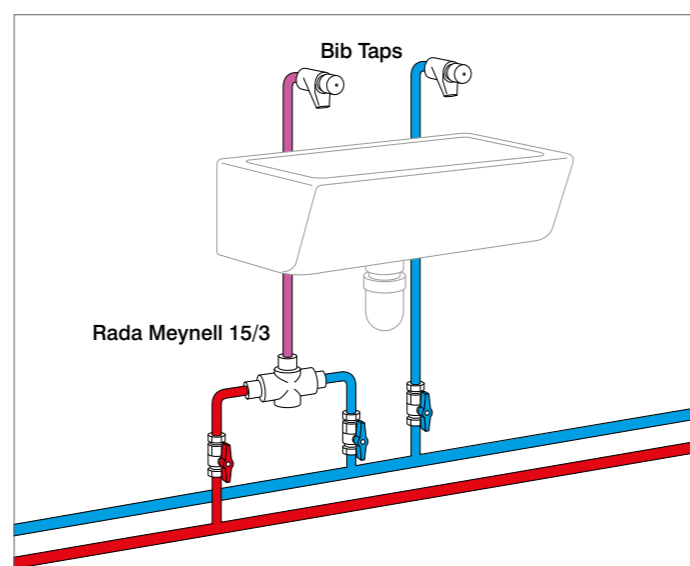
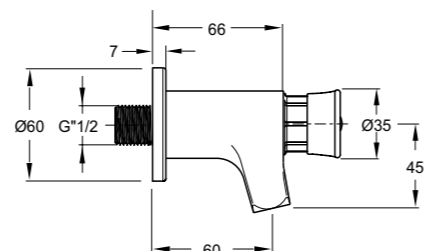
Rada Meynell 15/3
Rada 215-t3dk

DESCRIPTION

Wall mounted push button flow control tap with 12 (± 3) seconds time flow.

- Water saving
- Robust design
- Easy to service one piece cartridge
- Soft closing action
- Adjustable flow rate
- 1/2" BSP flat face inlet
- Red or blue temperature indicator included

DIMENSIONS (MM) & INSTALLATION



RADA T1 145 TIMED FLOW BIB TAP – EXTENDED - HOT/COLD

PRODUCT IMAGE



PRODUCT INFORMATION

PRODUCT CODE

2.1762.058

WEB

www.radacontrols.com/en/products/all-products/rada-t1-145-timed-flow-bib-tap-extended-hot-or-cold/

COMPLEMENTARY PRODUCTS

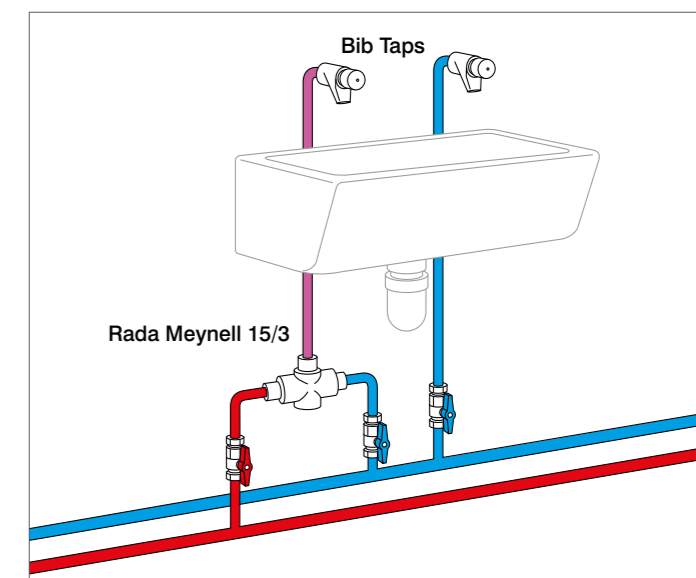
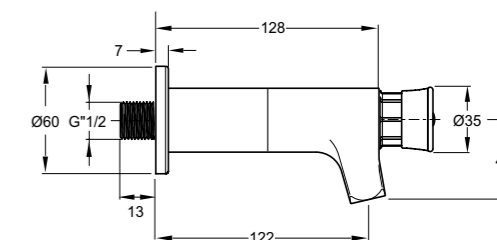
Rada Meynell 15/3
Rada 215-t3dk

DESCRIPTION

Extended wall mounted push button flow control tap with 12 (± 3) seconds time flow.

- Water saving
- Robust design
- Easy to service one piece cartridge
- Soft closing action
- Adjustable flow rate
- 1/2" BSP flat face inlet
- Red or blue temperature indicator included

DIMENSIONS (MM) & INSTALLATION





RADA T2 100 TIMED FLOW PILLAR TAP - HOT & COLD

PRODUCT IMAGE



PRODUCT INFORMATION

PRODUCT CODE

hot – 2.1762.064
cold – 2.1762.065

WEB

www.radacontrols.com/en/products/all-products/rada-t2-100-timed-flow-pillar-tap

COMPLEMENTARY PRODUCTS

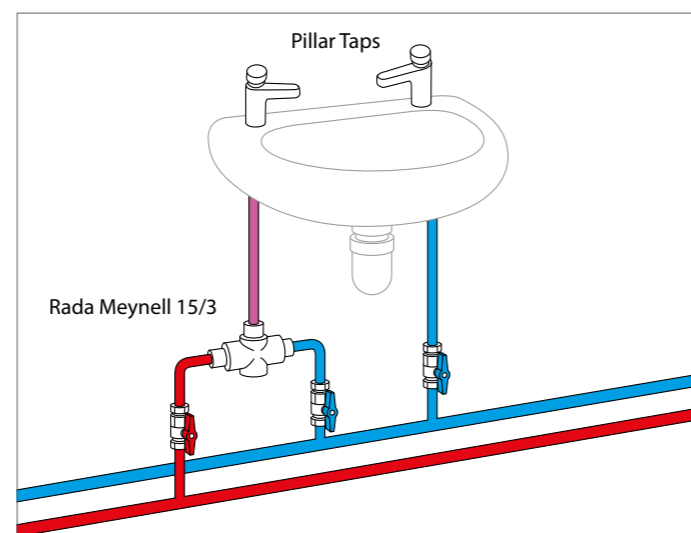
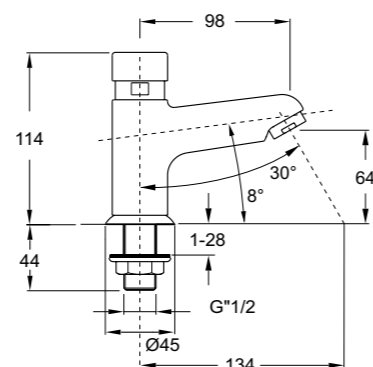
Rada Meynell 15/3
Rada 215-t3dk

DESCRIPTION

Basin mounted push button tap with 12 (±3) seconds time flow for use on basins or counter tops.

- Water saving
- Aesthetic robust design
- Easy to service one piece cartridge
- Fits standard washbasins and tap hole
- Soft closing action
- Adjustable flow rate
- ½" BSP flat face inlet

DIMENSIONS (MM) & INSTALLATION



RADA T4 120 TIMED FLOW MIXER TAP

PRODUCT IMAGE



PRODUCT INFORMATION

PRODUCT CODE

2.1762.082

WEB

www.radacontrols.com/en/products/all-products/rada-t4-120-timed-flow-mixer-tap/

COMPLEMENTARY PRODUCTS

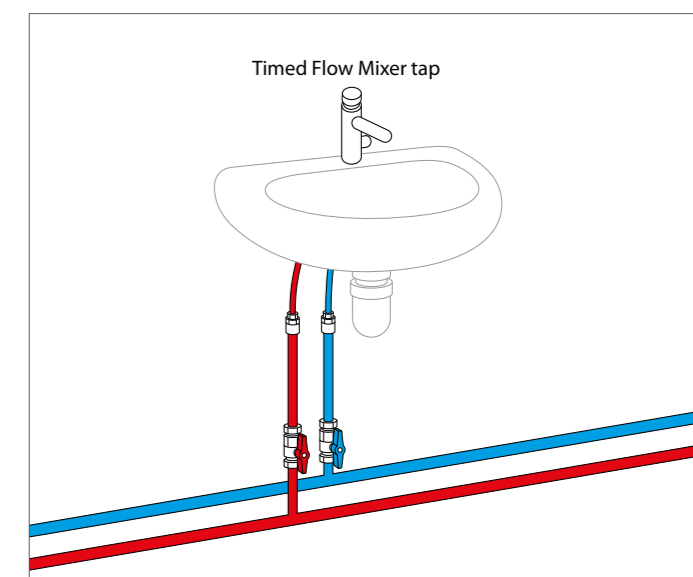
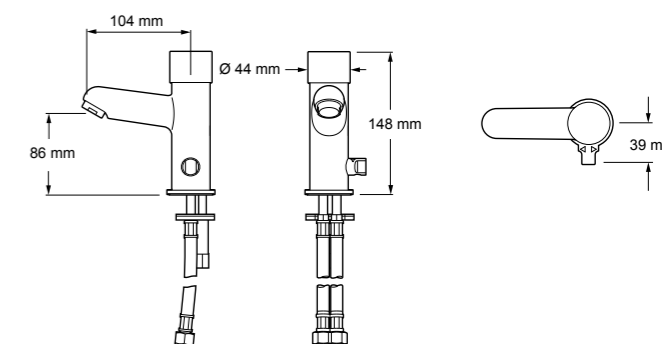
n/a

DESCRIPTION

Contemporary deck/basin mounted push button mixer tap with adjustable flow rate and duration (5 – 20 seconds) for use on basins or counter tops.

- Easily adjustable flow and time.
- Water saving
- Aesthetic robust design
- Easy to service one piece cartridge
- Fits standard washbasin and tap holes
- Soft closing action
- ½" BSP flat face inlet

DIMENSIONS (MM) & INSTALLATION





RADA T4 125 TIMED FLOW MIXER TAP

PRODUCT IMAGE



PRODUCT INFORMATION

PRODUCT CODE

2.1762.079

WEB

www.radacontrols.com/en/products/all-products/rada-t4-125-timed-flow-mixer-tap/

COMPLEMENTARY PRODUCTS

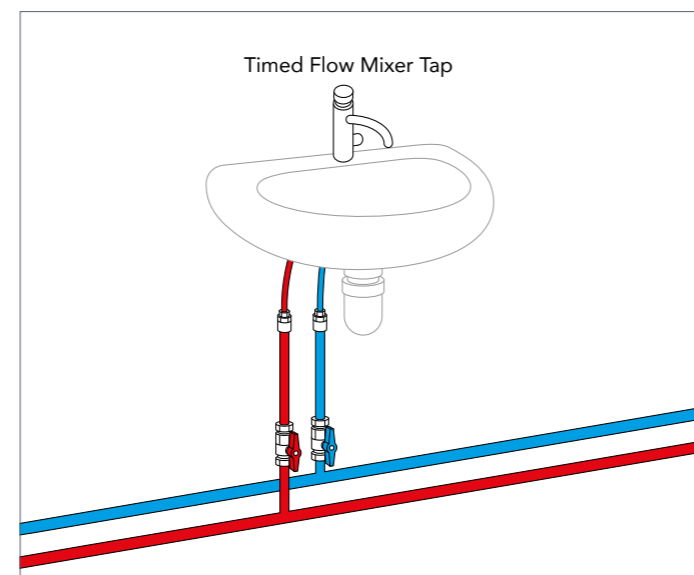
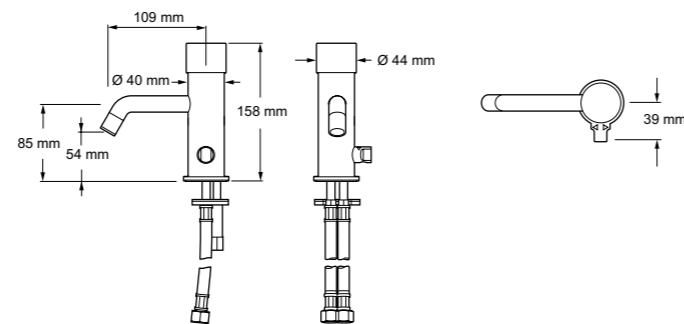
n/a

DESCRIPTION

Contemporary deck/basin mounted push button tap with adjustable flow rate and duration (5 – 20 seconds) for use on basins or counter tops.

- Easily adjustable flow and time.
- Water saving
- Aesthetic robust design
- Easy to service one piece cartridge
- Fits standard washbasin and tap holes
- Soft closing action
- ½" BSP flat face inlet

DIMENSIONS (MM) & INSTALLATION



RADA TL 100 LEVER OPERATED TIMED FLOW PILLAR TAP

PRODUCT IMAGE



PRODUCT INFORMATION

PRODUCT CODE

2.1762.085

WEB

www.radacontrols.com/en/products/all-products/rada-tl-100-lever-operated-timed-flow-pillar-tap/

COMPLEMENTARY PRODUCTS

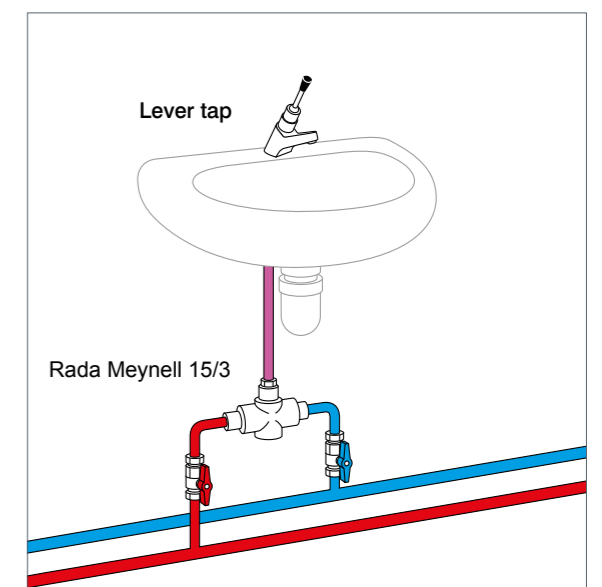
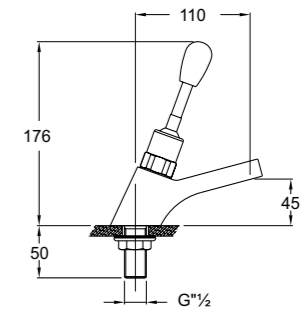
Rada Meynell 15/3
Rada 215-t3dk

DESCRIPTION

Lever operated basin mounted tap with 12 (±3) second time flow for use on basins or counter tops.

- Water saving
- Robust design
- Easy to service one piece cartridge
- Fits standard washbasins and tap holes
- Soft closing action
- Adjustable flow rate
- ½" BSP flat face inlet

DIMENSIONS (MM) & INSTALLATION





RADA TL 195 KNEE OPERATED TIMED FLOW VALVE

PRODUCT IMAGE



PRODUCT INFORMATION

PRODUCT CODE

2.1762.094

WEB

www.radacontrols.com/en/products/all-products/rada-tl-195-knee-operated-timed-flow-valve/

COMPLEMENTARY PRODUCTS

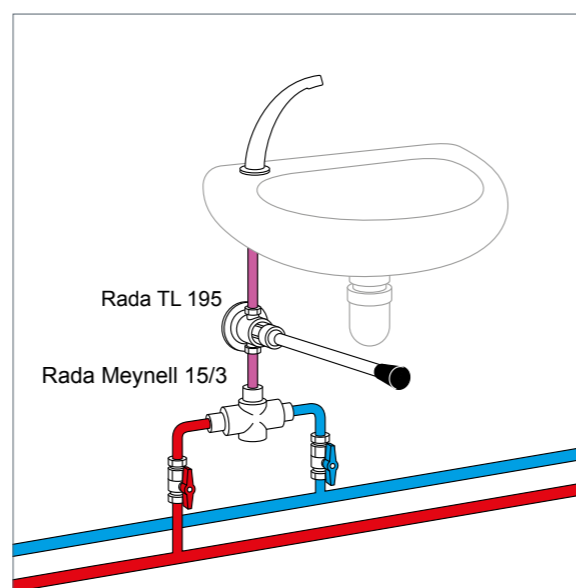
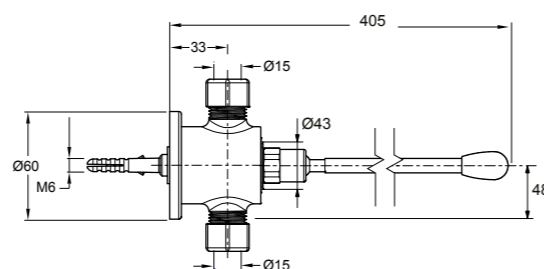
Rada Meynell 15/3
Rada 215-t3dk

DESCRIPTION

Knee operated time flow control for use under basins where there is a requirement to avoid hand control with 12 (±3) second time flow.

- Water saving
- Robust design
- Easy one piece cartridge for servicing
- Soft closing action
- Adjustable flow rate
- 15mm compression connections

DIMENSIONS (MM) & INSTALLATION



RADA SP WD100 DECK MOUNTED BASIN SPOUT – LOW

PRODUCT IMAGE



PRODUCT INFORMATION

PRODUCT CODE

1.1503.726

WEB

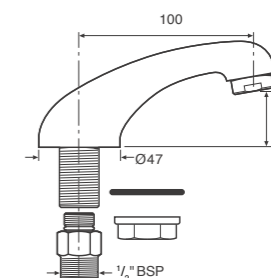
www.radacontrols.com/en/products/all-products/rada-sp-wd100-deck-mounted-basin-spout-low/

DESCRIPTION

A deck mounted basin spout with 100mm throw supplied complete with 5 l/min flow regulator (optional flow straightener also supplied).

- Durable polished chrome finish
- Easy to install
- Optional anti microbial flow straightener also available (1.1621.198)

DIMENSIONS (MM)



RADA SP W150 WALL MOUNTED BASIN SPOUT

PRODUCT IMAGE



PRODUCT INFORMATION

PRODUCT CODE

1.1503.729

WEB

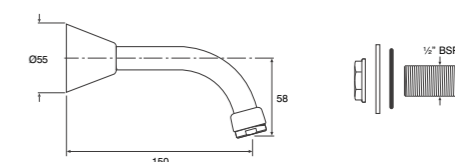
www.radacontrols.com/en/products/all-products/rada-sp-t150-wall-mounted-bath-spout-short/

DESCRIPTION

A wall mounted basin spout with 150mm throw supplied complete with 5 l/min flow regulator (optional flow straightener also supplied).

- Durable polished chrome finish
- Easy to install
- Optional anti microbial flow straightener also available (1.1621.198)

DIMENSIONS (MM)





RADA SP W190 WALL MOUNTED BASIN SPOUT – LONG

PRODUCT IMAGE



PRODUCT INFORMATION

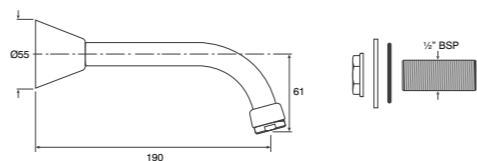
PRODUCT CODE

1.1503.730

WEB

www.radacontrols.com/en/products/all-products/rada-sp-w190-wall-mounted-basin-spout-long/

DIMENSIONS (MM)



DESCRIPTION

A wall mounted basin spout with 190mm throw supplied complete with 5 l/min flow regulator (optional flow straightener also supplied).

- Durable polished chrome finish
- Easy to install
- Optional anti microbial flow straightener also available (1.1621.198)



PRESTO NEO DM SENSOR TAP (BATTERY/MAINS)

PRODUCT IMAGE



PRODUCT INFORMATION

PRODUCT CODE

mains: 57038

battery: 57034

WEB

www.radacontrols.com/en/products/all-products/presto-neo-dm-sensor-tap-main-57038

www.radacontrols.com/en/products/all-products/presto-neo-dm-sensor-tap-batt-57034

COMPLEMENTARY PRODUCTS

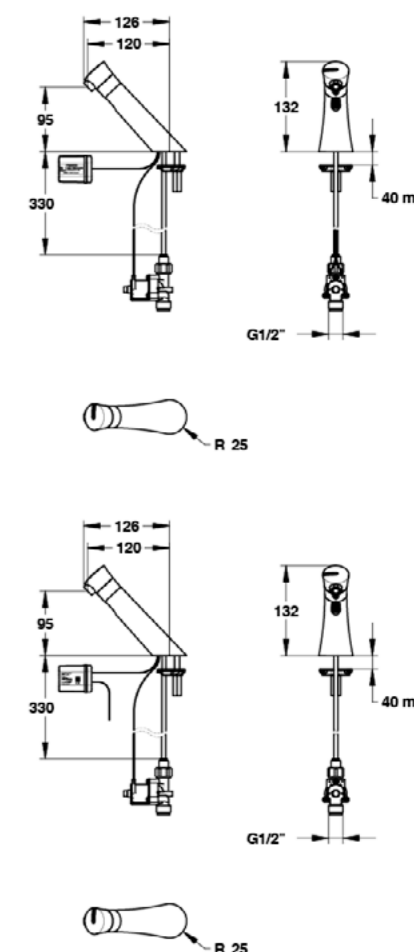
n/a

DESCRIPTION

This single deck mounted sensor tap can be used with a power supply or with a 6V lithium battery.

- 1 to 5 bar working pressure
- 1.9 l/min flow with integrated spray flow limiter
- High quality anti-limescale sprayer
- Anti-water-hammering design
- Hydraulic supply: on Male G 1/2" (15x21) connection – cold or premixed water
- Injected metal and brass. Chrome plated
- Resistant to a temperature of 75°C for 30-minute-thermal-shocks
- Anti-overflow security time set to 30 seconds preventing the water from flowing continuously
- Automatic shutdown of solenoid valve in case of power failure or sensor error
- Duty flush of 45 seconds every 24 hours after last use

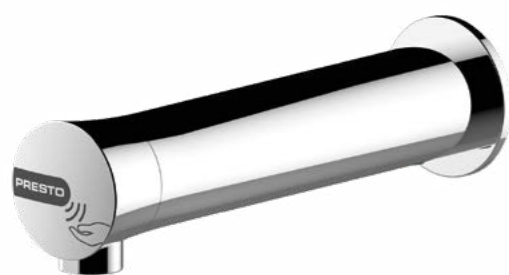
DIMENSIONS (MM)





PRESTO NEO WM SENSOR TAP (BATTERY/MAINS)

PRODUCT IMAGE



PRODUCT INFORMATION

PRODUCT CODE

mains: 57040

battery: 57036

WEB

www.radacontrols.com/en/products/all-products/presto-neo-wm-sensor-tap-main-57040

www.radacontrols.com/en/products/all-products/presto-neo-wm-sensor-tap-batt-57036

COMPLEMENTARY PRODUCTS

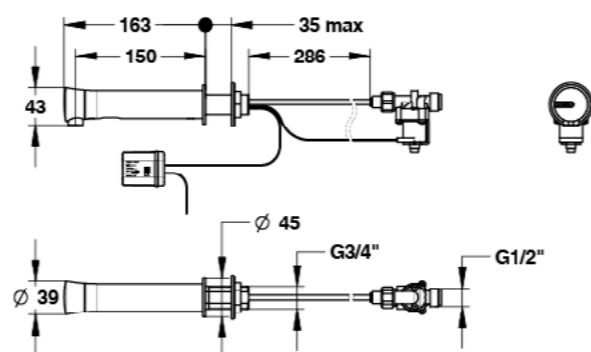
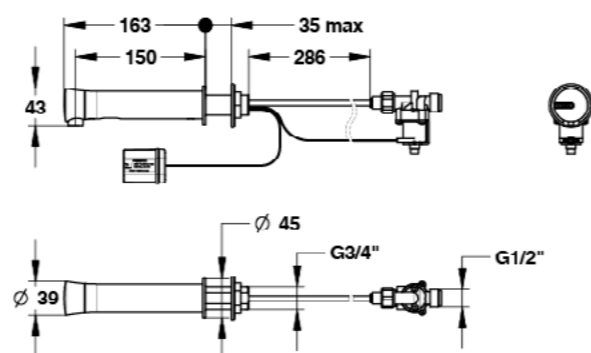
n/a

DESCRIPTION

This single wall mounted sensor tap can be used with a power supply or with a 6V lithium battery.

- 1 to 5 bar working pressure
- 1.9 l/min flow with integrated spray flow limiter
- High quality anti-limescale sprayer
- Anti-water-hammering design
- Hydraulic supply: on Male G 1/2" (15x21) connection – cold or premixed water
- Injected metal and brass. Chrome plated
- Resistant to a temperature of 75°C for 30-minute-thermal-shocks
- Anti-overflow security time set to 30 seconds preventing the water from flowing continuously
- Automatic shutdown of solenoid valve in case of power failure or sensor error
- Duty flush of 45 seconds every 24 hours after last use

DIMENSIONS (MM)



PRESTO NEO DM SENSOR TAP TF (BATTERY/MAINS)

PRODUCT IMAGE



PRODUCT INFORMATION

PRODUCT CODE

mains: 57072

battery: 57070

WEB

www.radacontrols.com/en/products/all-products/presto-neo-dm-sensor-tap-tf-batt-57072

www.radacontrols.com/en/products/all-products/presto-neo-dm-sensor-tap-tf-main-57070

COMPLEMENTARY PRODUCTS

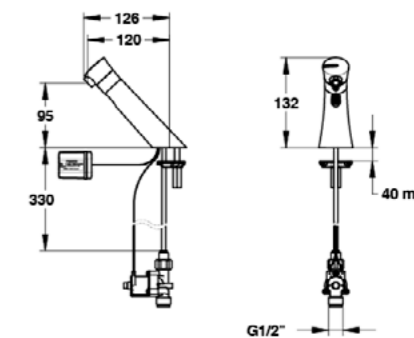
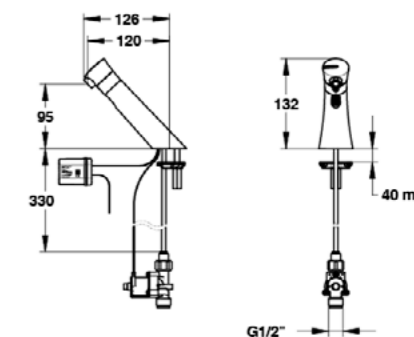
n/a

DESCRIPTION

This deck mounted sensor and time-flow single tap can be used with a power supply or a CRP2 battery.

- 2 to 5 bar working pressure
- Sensor trigger suitable for elderly, children and disabled people
- 7 second adjustable flow time with PRESTOCOM
- 1.7 l/min flow with integrated controller sprayer
- High-quality anti-limescale aerator
- Anti-water-hammering design
- Hydraulic supply: G 1/2" (15 x 21) – cold or premixed water
- Chromed injected molded metal body
- Resistant to a temperature of 75°C for 30-minute-thermal-shocks
- Anti-overflow security time set to 30 seconds preventing the water from flowing continuously
- Duty flush 30 seconds every 24h after last use (adjustable flow time and frequency)

DIMENSIONS (MM)





PRESTO NEO DM TAP SELF CLOSE 15S (HOT/COLD)

PRODUCT IMAGE



PRODUCT INFORMATION

PRODUCT CODE

hot tap: 65100
cold tap: 65000

WEB

www.radacontrols.com/en/products/all-products/presto-neo-dm-tap-self-close-15s-hot-65100

www.radacontrols.com/en/products/all-products/presto-neo-dm-tap-self-close-15s-cold-65000

COMPLEMENTARY PRODUCTS

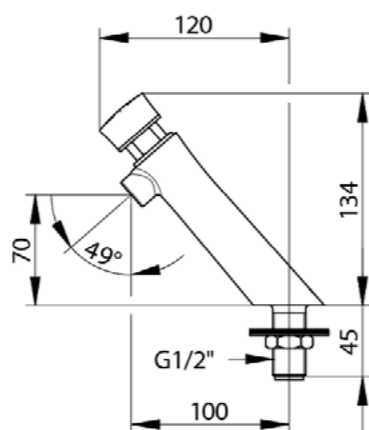
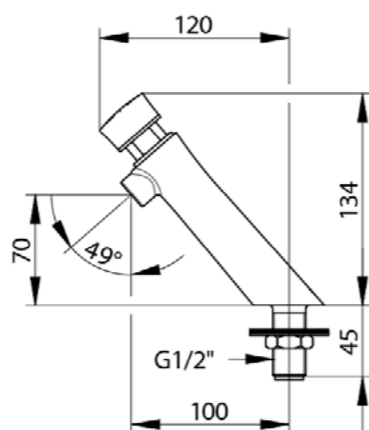
n/a

DESCRIPTION

A deck mounted washbasin single self-closing tap. Hot and cold versions available.

- 1 to 5 bar working pressure
- 3 l/min flow at 3 bars and a 4-position setting
- Anti water-hammer system
- Flow time of 15 seconds (± 5 seconds)
- Hydraulic supply: G 1/2" x 40 – hot/cold water
- Can withstand a thermal shock of 75°C for 30 minutes as part of a thermal shock programme
- Interchangeable head and non-turnable push button to avoid premature wear
- Non-removable red/blue circled marker

DIMENSIONS (MM)



PRESTO NEO DM TAP SELF CLOSE 7S (HOT/COLD)

PRODUCT IMAGE



PRODUCT INFORMATION

PRODUCT CODE

hot tap: 65015
cold tap: 65045

WEB

www.radacontrols.com/en/products/all-products/presto-neo-dm-tap-self-close-7s-hot-65015

www.radacontrols.com/en/products/all-products/presto-neo-dm-tap-self-close-7s-cold-65045

COMPLEMENTARY PRODUCTS

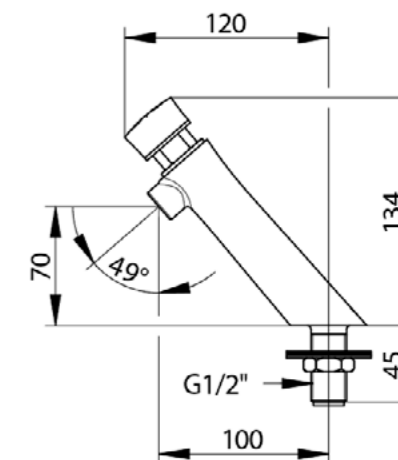
n/a

DESCRIPTION

A deck mounted washbasin single self-closing tap. Hot and cold versions available.

- 1 to 5 bar working pressure
- Flow for hot tap: 3 l/min flow at 3 bars and a 4-position setting
- Flow for cold tap: 1 GPM (3.8 l/min) flow with regulator spray type
- Anti water-hammer system
- Flow time of 7 seconds
- Hydraulic supply: G 1/2" x 40 – hot/cold water
- Can withstand a thermal shock of 75°C for 30 minutes as part of a thermal shock programme
- Interchangeable head and non-turnable push button to avoid premature wear
- Non-removable red/blue circled marker

DIMENSIONS (MM)





PRESTO NEO WM TAP SELF CLOSE 7S (HOT/COLD)

PRODUCT IMAGE



PRODUCT INFORMATION

PRODUCT CODE

hot tap: 66100
cold tap: 66000

WEB

www.radacontrols.com/en/products/all-products/presto-neo-wm-self-close-tap-hot-66100

www.radacontrols.com/en/products/all-products/presto-neo-wm-self-close-tap-cold-66000

COMPLEMENTARY PRODUCTS

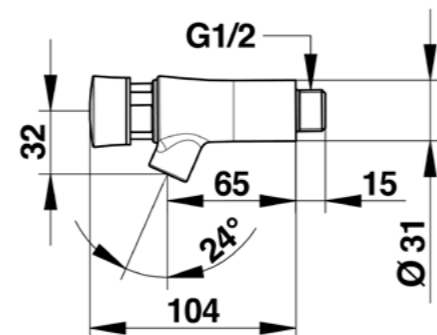
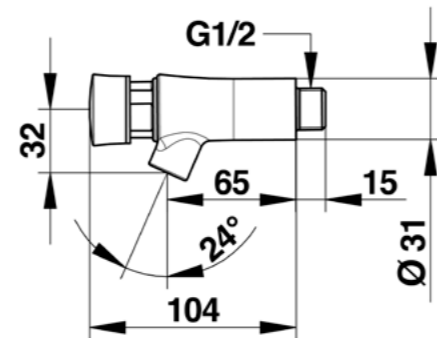
n/a

DESCRIPTION

A deck mounted washbasin single self-closing tap. Hot and cold versions available.

- 1 to 5 bar working pressure
- Flow for hot tap: 3 l/min flow at 3 bars and a 4-position setting
- Flow for cold tap: 1 GPM (3.8 l/min) flow with regulator spray type
- Anti water-hammer system
- Flow time of 7 seconds
- Hydraulic supply: G 1/2" x 40 – hot/cold water
- Can withstand a thermal shock of 75°C for 30 minutes as part of a thermal shock programme
- Interchangeable head and non-turnable push button to avoid premature wear
- Non-removable red/blue circled marker

DIMENSIONS (MM)



PRESTO NEO WM TAP 15S (HOT/COLD)

PRODUCT IMAGE



PRODUCT INFORMATION

PRODUCT CODE

hot tap: 66012
cold tap: 66010

WEB

www.radacontrols.com/en/products/all-products/presto-neo-wm-tap-15s-hot-66012

www.radacontrols.com/en/products/all-products/presto-neo-wm-tap-15s-cold-66010

COMPLEMENTARY PRODUCTS

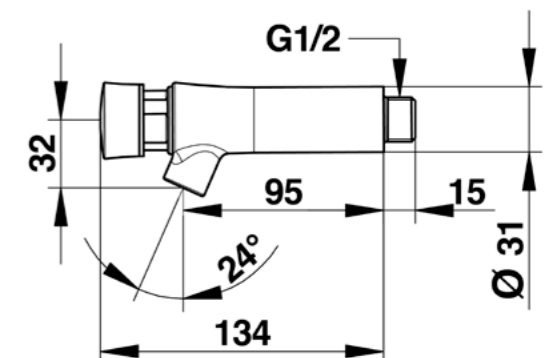
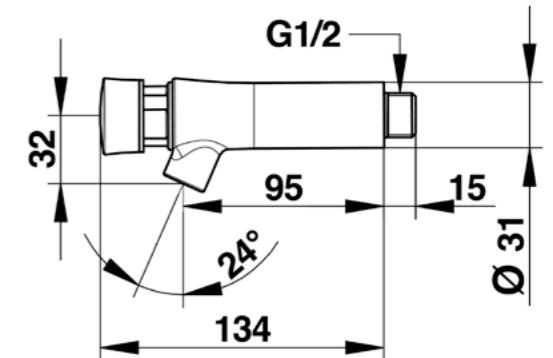
n/a

DESCRIPTION

A wall mounted tap. Hot and cold versions available.

- 1 to 5 bar working pressure
- 3 l/min flow at 3 bars and a 4-position setting
- Anti water-hammer system
- Flow time of 15 seconds (± 5 seconds)
- Hydraulic supply for cold tap: G 1/2" x 15
- Hydraulic supply for hot tap: G 1/2" (15x21)
- Can withstand a thermal shock of 75°C for 30 minutes as part of a thermal shock programme
- 95mm projection
- Interchangeable head and non-turnable push button to avoid premature wear
- Non-removable red/blue circled marker

DIMENSIONS (MM)





PRESTO NEO DM MIXER TAP

PRODUCT IMAGE



PRODUCT INFORMATION

PRODUCT CODE

68400

WEB

www.radacontrols.com/en/products/all-products/presto-neo-dm-mixer-tap-68400

COMPLEMENTARY PRODUCTS

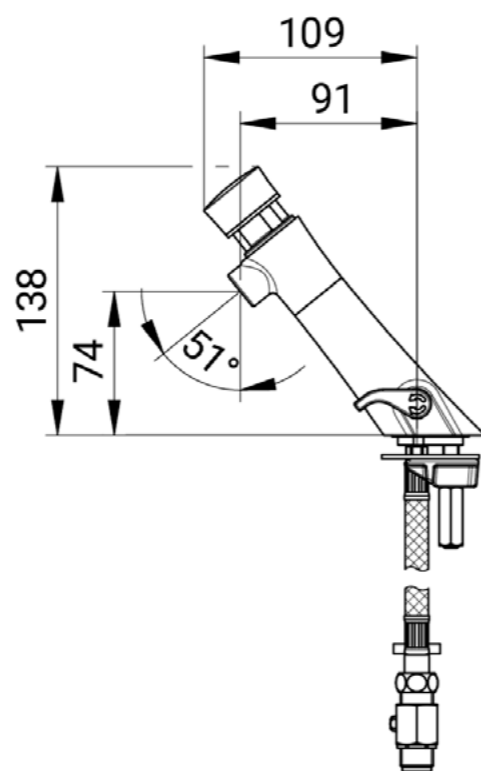
n/a

DESCRIPTION

A deck mounted self-closing mixer tap.

- 1 to 5 bar working pressure
- 3 l/min flow at 3 bar – 4-position flow adjustment device
- Flow time of 15 seconds (\pm 5 seconds)
- Hydraulic supply: G 3/8" (12x17)
- Resistant to a temperature of 75°C for 30 minute thermal shock
- Non-turnable push button
- Non-removable, wear-proof red marker
- Temperature limiter (at 38°C for cold water at 15°C/3 bar and hot water at 60°C/3 bar)

DIMENSIONS (MM)



PRESTOMAT TF DM (COLD/ANTI-BLOCK)

PRODUCT IMAGE



PRODUCT INFORMATION

PRODUCT CODE

cold tap: 20000

anti-block tap: 20001

WEB

www.radacontrols.com/en/products/all-products/prestomat-tf-dm-cold-20000

www.radacontrols.com/en/products/all-products/prestomat-tf-dm-anti-block-20001

COMPLEMENTARY PRODUCTS

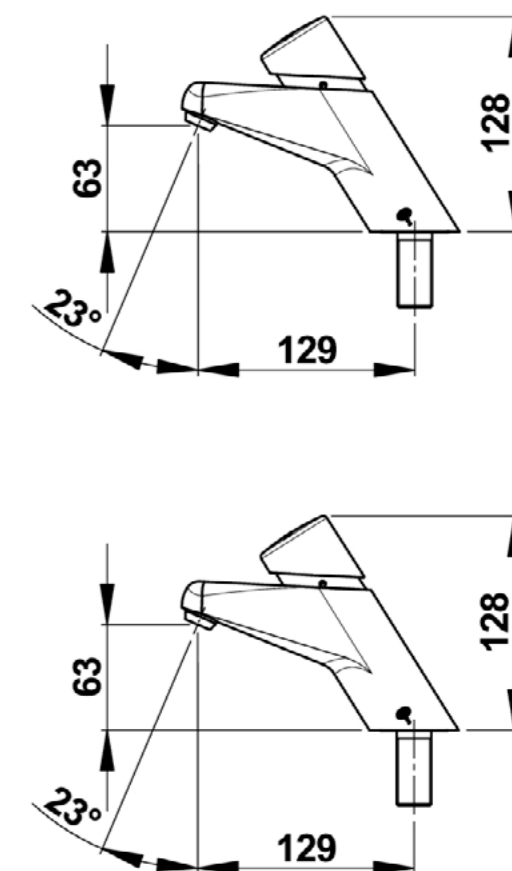
n/a

DESCRIPTION

A single deck mounted tap. Cold and anti-blocking versions available.

- 1 to 5 bar working pressure
- 4l/min flow limiter / 5-positions flow adjustment device inaccessible to users
- Anti-water-hammering design
- Vandalism proof and anti-clogging spout
- Flow time of 15 seconds (\pm 5 sec.) – 4-position flow adjustment device
- Hydraulic supply: M G 1/2" (15x21) – cold water (Blue skirt)
- Resistant to a temperature of 75°C for 30-minute-thermal-shocks
- Patented anti-blocking "S" system to avoid the water to flow continuously (anti-block tap)

DIMENSIONS (MM)





PRESTO DM MIXER TAP

PRODUCT IMAGE



PRODUCT INFORMATION

PRODUCT CODE

28682

WEB

www.radacontrols.com/en/products/all-products/presto-dm-mixer-tap-28682

COMPLEMENTARY PRODUCTS

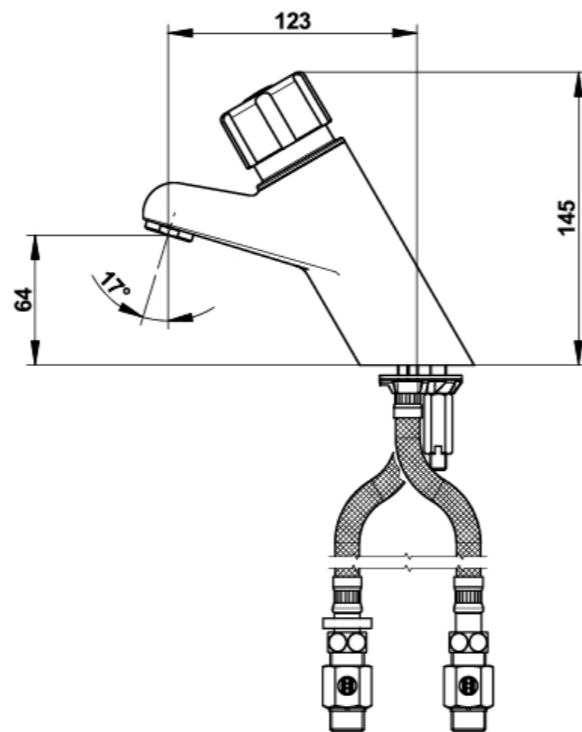
n/a

DESCRIPTION

A deck mounted single control mixer tap.

- 1 to 5 bar working pressure
- 1,9 l/min (0,5 gpm) Spray with integrated flow limiter
- Anti-water-hammering design
- Vandalism proof and anti-clogging spout
- Flow time of 15 seconds (± 5 sec.)
- Hydraulic supply: G 3/8" (12x17) on hose and G 1/2" (15x21) on stop valve
- Chrome-plated pushbutton
- Resistant to a temperature of 75°C for 30-minute-thermal-shocks
- Adjustable tamper-proof temperature limiter to prevent scalding
- Patented anti-blocking "S" system to avoid the water to flow continuously

DIMENSIONS (MM)



PRESTO LINEA SOAP DISPENSER (WM/DM)

PRODUCT IMAGE



PRODUCT INFORMATION

PRODUCT CODE

deck mounted: 60382

wall mounted: 60380

WEB

www.radacontrols.com/en/products/all-products/presto-linea-dm-soap-dispenser-60382

<https://www.radacontrols.com/en/products/all-products/presto-linea-wm-soap-dispenser-60380>

COMPLEMENTARY PRODUCTS

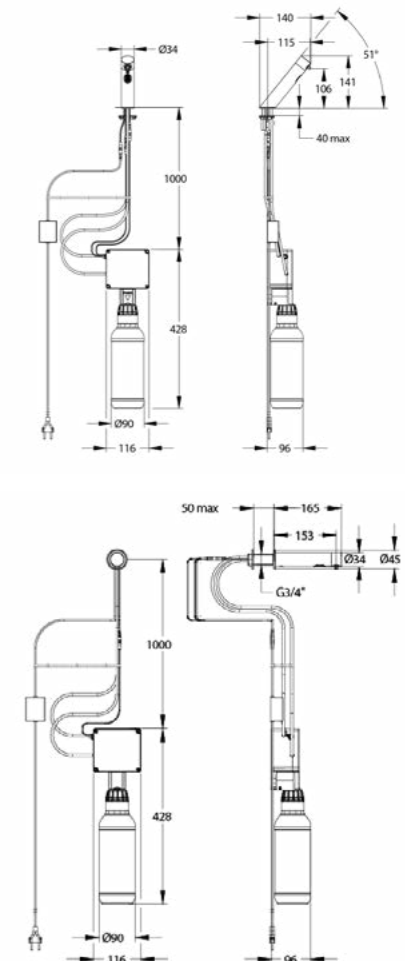
n/a

DESCRIPTION

A liquid and foam sensor soap dispenser. Deck mounted or wall mounted versions available.

- Infrared hand detection enabling touch-free use
- Suitable for persons with reduced mobility (PRM), elderly, and children
- Detection range of 10-15cm
- Straightforward switch to liquid soap dispensing by disconnecting the air pump and changing the nozzle
- Anti-waste function preventing soap flow after 4 hand passes in front of the sensor
- Soap or foam priming or refill activated by a short press on the button
- Adjustable dispensed volume (0.5ml, 1ml or 1.5ml)
- Easy refilling by unclipping 1L tank bottle with wide-neck
- Compatible with foam soap and liquid soap with a viscosity of 100-3000 mPa.s
- Stainless steel body with a chrome finish. Housing made of technical polymer
- Mains-powered with 230V/6V transformer that plugs into a wall socket

DIMENSIONS (MM)



ELECTRONIC WASHROOM CONTROLS

The electronic washroom control range allows system designers to achieve outstanding performance while still meeting sustainability and water-saving goals.

Designed for commercial washroom applications they provide reliable water flow management for hand washing, showering and urinal flushing applications, all operated by non-touch sensors for increased levels of hygiene. The range includes everything from an individual outlet control through to a full 10-outlet system. These can be combined to suit a variety of hand washing, showering and urinal flushing configurations and they are complemented by a full selection of ancillary products.

For more information on the complementary products in this section, refer to the product index on pages 154 – 156.



RADA 120 MONO-CONTROL SYSTEM FOR HAND WASHING OR SHOWERING

PRODUCT IMAGE



PRODUCT INFORMATION

PRODUCT CODE

1.1495.009

WEB

www.radacontrols.com/en/products/all-products/rada-120-mono-control-system/

COMPLEMENTARY PRODUCTS

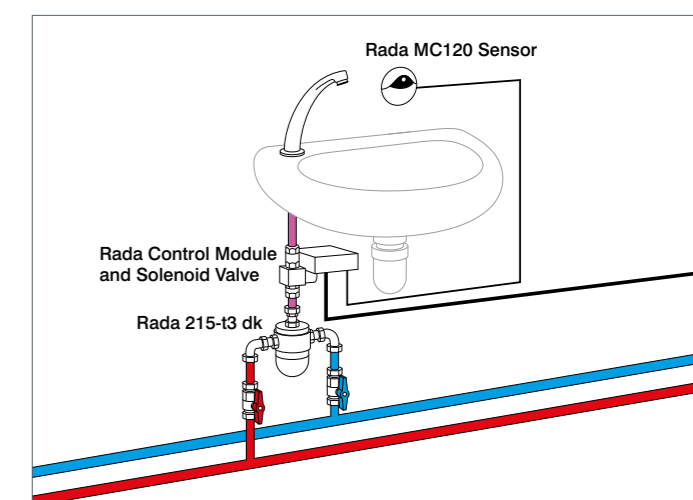
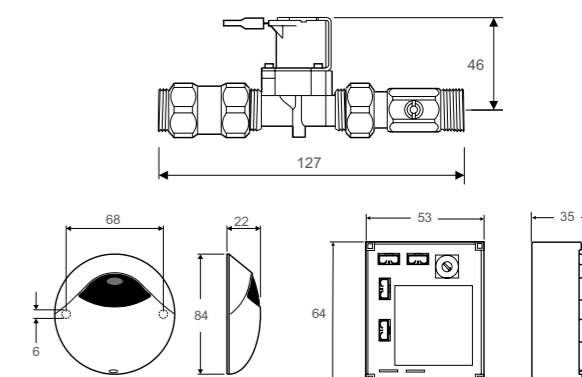
Rada Universal Transformer
Rada Meynell 15/3
Rada 215-t3c
Rada VR Shower Heads
Rada VR2 Shower Heads
Rada SP W150
Rada SP WD100

DESCRIPTION

Each outlet to be served by one Rada Mono-Control System MC120 wall mounted flow control. Complete with chrome plated concealed active infra-red sensor, control module and 1/2" solenoid valve with isolator and filter.

- Hygienic non-touch control
- Wall mounted sensor for 'non-touch' control of a single wash basin or shower
- Economy and flexibility – timing can be programmed to suit application
- All elements linked via safe extra low voltage supply (12V)

DIMENSIONS (MM) & INSTALLATION





RADA 129 MONO-CONTROL SYSTEM FOR HAND WASHING OR SHOWERING

PRODUCT IMAGE



PRODUCT INFORMATION

PRODUCT CODE

1.1495.014

WEB

www.radacontrols.com/en/products/all-products/rada-129-mono-control-system/

COMPLEMENTARY PRODUCTS

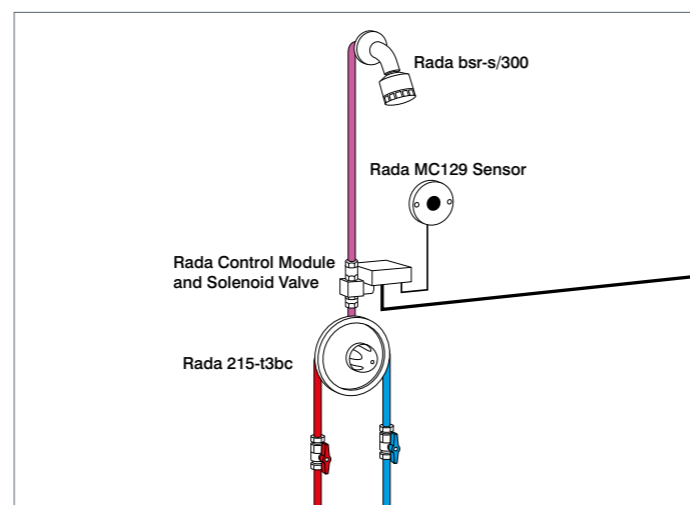
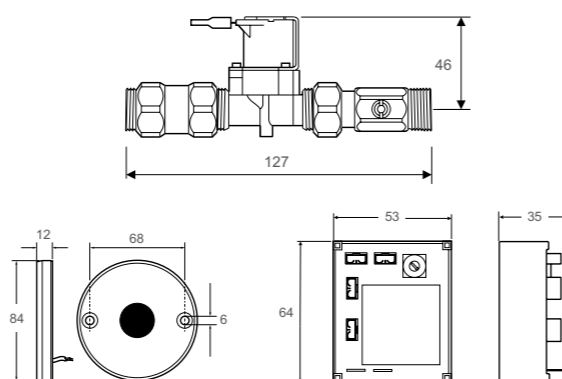
Rada Universal Transformer	Rada VR Shower Heads
Rada Meynell 15/3 Mixing Valve	Rada VR2 Shower Heads
Rada 215-t3c Mixing Valve	Rada SP W150
Rada bsr-s/300 Shower Fitting	Rada SP WD100

DESCRIPTION

Each outlet to be served by one Rada Mono-Control System MC129 wall mounted flow control. Complete with chrome plated active infra-red sensor, control module and 1/2" solenoid valve with isolator and filter.

- Hygienic non-touch control
- Wall mounted sensor for 'non-touch' control of a single wash basin or shower
- Chrome plated metal alloy sensor – for more robust applications
- Economy and flexibility – timing can be programmed to suit application
- All elements linked via safe extra low voltage supply (12V)

DIMENSIONS (MM) & INSTALLATION



RADA 124 MONO-CONTROL SYSTEM FOR HAND WASHING

PRODUCT IMAGE



PRODUCT INFORMATION

PRODUCT CODE

1.1495.011

WEB

www.radacontrols.com/en/products/all-products/rada-124-mono-control-system/

COMPLEMENTARY PRODUCTS

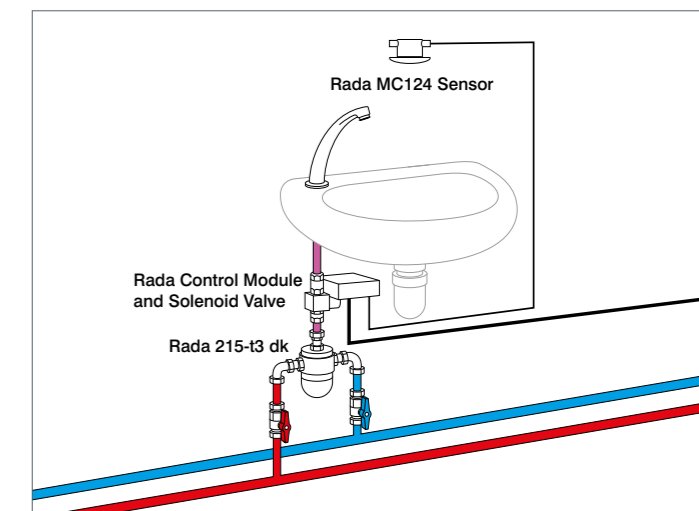
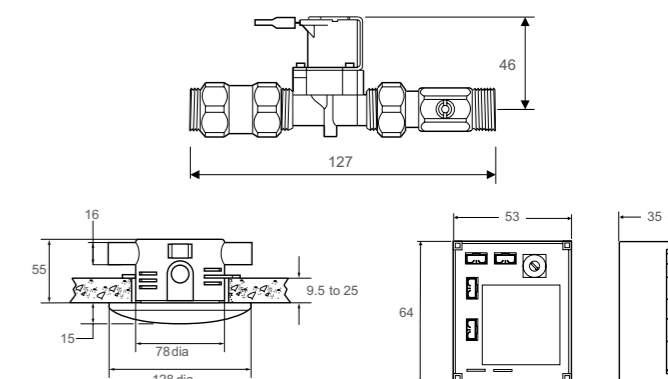
Rada Universal Transformer
Rada SP W150
Rada SP WD100
Rada Meynell 15/3
Rada 215-T3 dk

DESCRIPTION

Each washbasin to be served by one Rada Mono-Control System MC124 ceiling mounted flow control. Complete with concealed passive infra-red sensor, control module and 1/2" solenoid valve with isolator and filter.

- Hygienic non-touch control
- Ceiling mounted sensor for 'non-touch' control of individual wash basins
- Economy and flexibility – timing can be programmed to suit application
- All elements linked via safe extra low voltage supply (12V)

DIMENSIONS (MM) & INSTALLATION





RADA 122 MONO-CONTROL SYSTEM FOR URINAL FLUSHING

PRODUCT IMAGE



PRODUCT INFORMATION

PRODUCT CODE

1.1495.010

WEB

www.radacontrols.com/en/products/all-products/rada-122-mono-control-system/

COMPLEMENTARY PRODUCTS

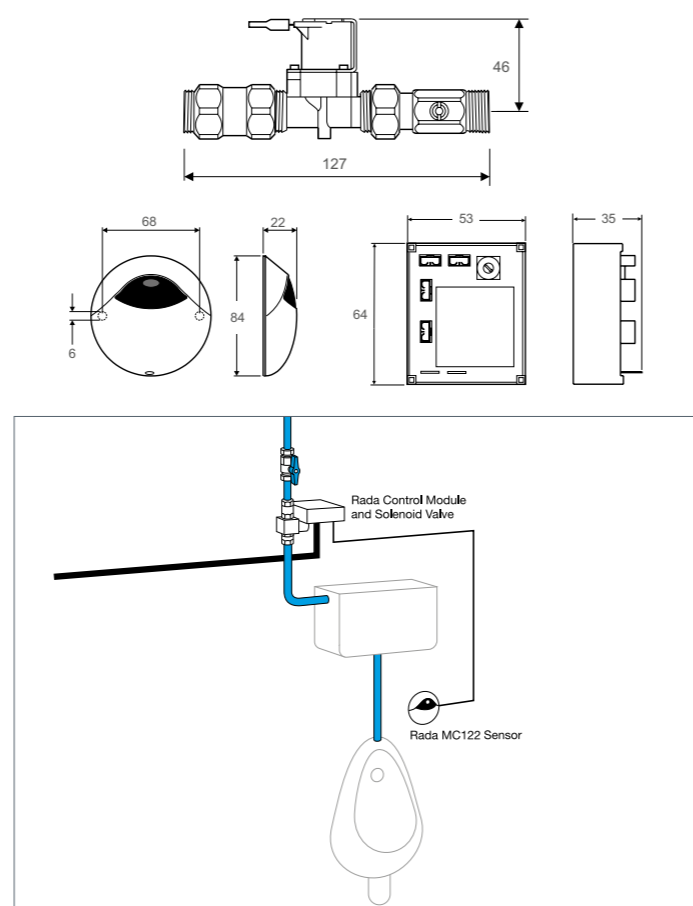
Rada Universal Transformer

DESCRIPTION

Each urinal bowl to be served by one Rada Mono-Control System MC122 wall mounted flushing control. Complete with active infra-red sensor, control module and 1/2" solenoid valve with isolator and filter.

- Hygienic non-touch control
- Wall mounted sensor for 'non-touch' control of a single urinal
- Programmable flush times provides flexibility and greater economy
- All elements linked via safe extra low voltage supply (12V)

DIMENSIONS (MM) & INSTALLATION



RADA 125 MONO-CONTROL SYSTEM FOR URINAL FLUSHING

PRODUCT IMAGE



PRODUCT INFORMATION

PRODUCT CODE

1.1495.012

WEB

www.radacontrols.com/en/products/all-products/rada-125-mono-control-system/

COMPLEMENTARY PRODUCTS

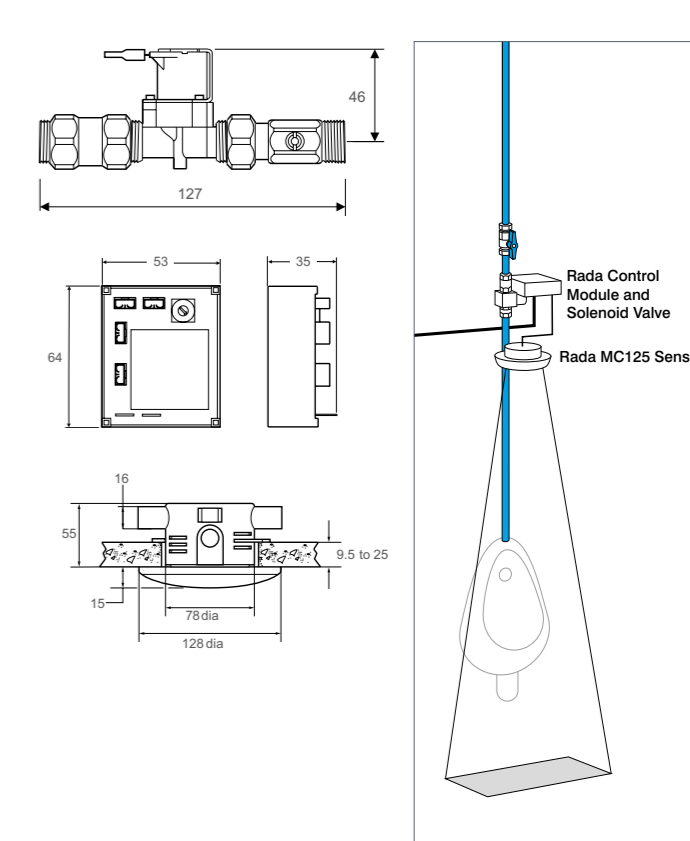
Rada Universal Transformer

DESCRIPTION

Each urinal bowl to be served by one Rada Mono-Control System MC125 ceiling mounted flow control. Complete with concealed passive infra-red sensor, control module and 1/2" solenoid valve with isolator and filter.

- Hygienic non-touch control
- Ceiling mounted sensor for 'non-touch' control of a single urinal
- Programmable flush times provides flexibility and greater economy
- All elements linked via safe extra low voltage supply (12V)

DIMENSIONS (MM) & INSTALLATION





RADA 126 MONO-CONTROL SYSTEM FOR URINAL FLUSHING

PRODUCT IMAGE



PRODUCT INFORMATION

PRODUCT CODE

1.1495.013

WEB

www.radacontrols.com/en/products/all-products/rada-126-mono-control-system/

COMPLEMENTARY PRODUCTS

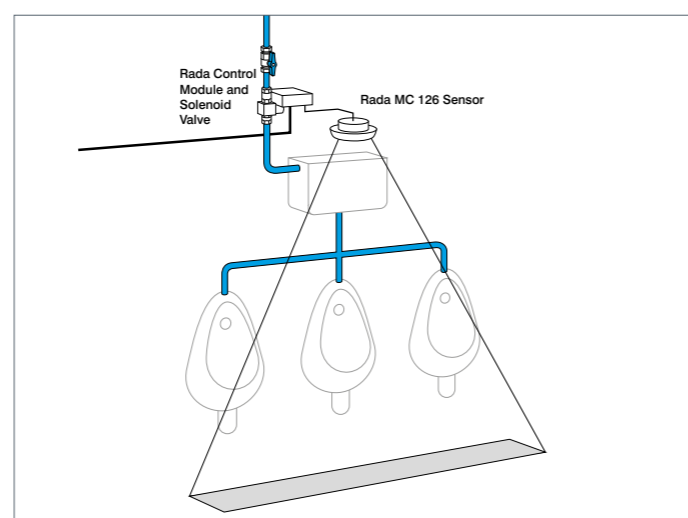
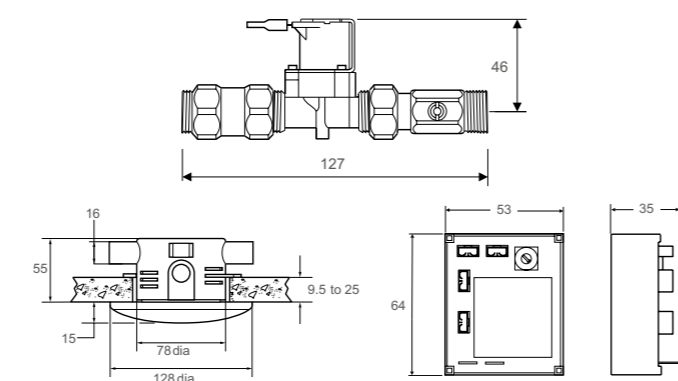
Rada PT220 Transformer
Rada Universal Transformer

DESCRIPTION

Each group of urinal bowls – up to three – to be served by one Rada Mono-Control System MC126 ceiling mounted flow control. Complete with concealed passive infra-red sensor, control module and 1/2" solenoid valve with isolator and filter.

- Hygienic non-touch control
- Ceiling mounted sensor for 'non-touch' control of a group of urinals
- Programmable flush times provides flexibility and greater economy
- All elements linked via safe extra low voltage supply (12V)

DIMENSIONS (MM) & INSTALLATION



RADA UNIVERSAL TRANSFORMER

PRODUCT IMAGE



PRODUCT INFORMATION

PRODUCT CODE

2.1.093.72.2

WEB

www.radacontrols.com/en/products/all-products/rada-universal-12-v-ac-transformer/

COMPLEMENTARY PRODUCTS

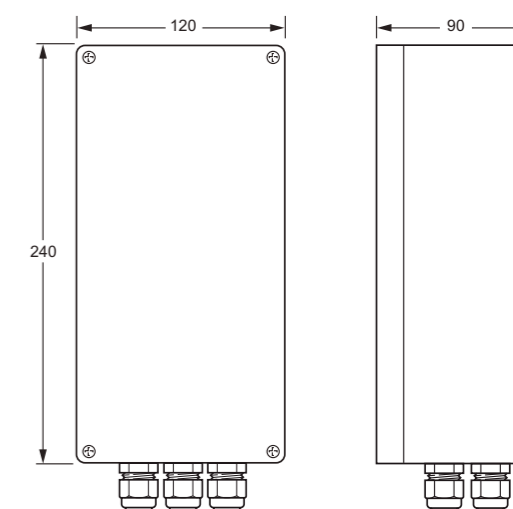
n/a

DESCRIPTION

The Rada Universal 12 V AC Transformer is designed to supply 12 V AC to a maximum of 16 Rada Mono Control Systems. The transformer enclosure is water resistant and intended for wall mounting to a suitable flat dry surface. It is intended for permanent connection to the fixed electrical wiring of the mains electric system. A 2 metre length of 230 V supply cable is supplied pre-connected within the box. Safe, low-voltage 12 V AC output is fuse protected internally.

- Designed to provide safe, low voltage 12 V AC supply to up to 16 Rada Mono-Control Systems
- Fuse protected internally
- Supplied with 2 m length of pre-connected supply cable

DIMENSIONS (MM) & INSTALLATION





RADA PULSE CONTROL BOX

PRODUCT IMAGE



PRODUCT INFORMATION

PRODUCT CODE

2.1.093.79.3

WEB

www.radacontrols.com/en/products/all-products/rada-pulse-control-box/

COMPLEMENTARY PRODUCTS

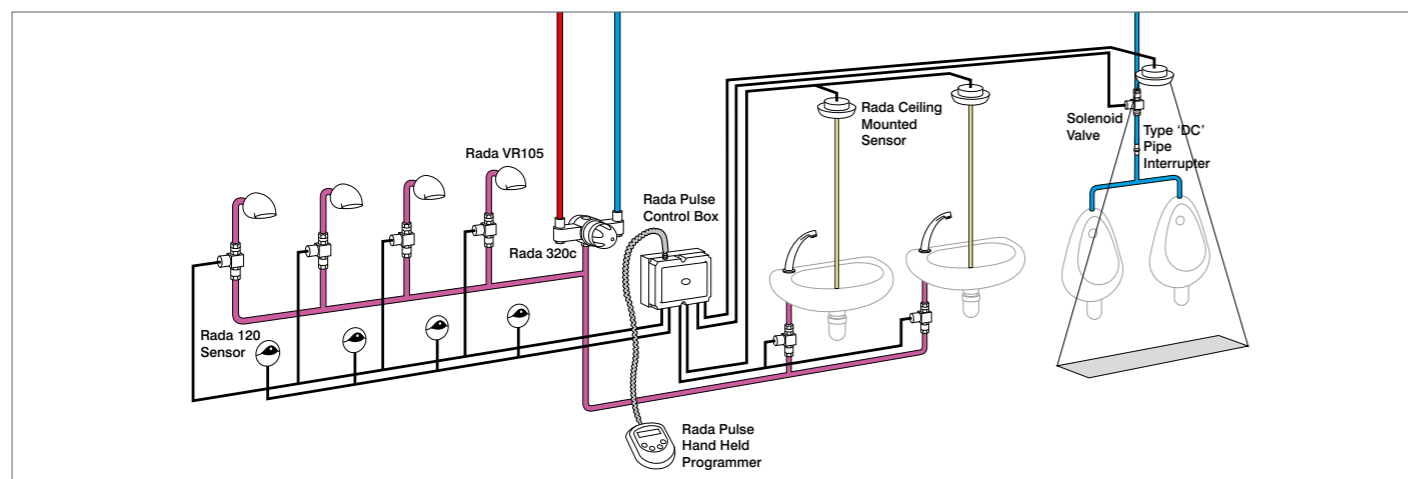
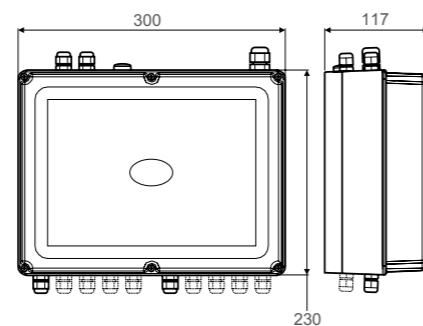
Rada Hand Held Programmer
Rada Pulse Isolating Key Switch
Rada Pulse Operating Key Switch
Rada Pulse Relay Box

DESCRIPTION

A complete washroom system control unit with 12 V transformer capable of controlling up to 10 Rada Pulse Operating Systems.

- Provides central control for complete washroom system
- Controls up to 10 individual showers, hand wash basins or urinals
- Integral 12 volt transformer
- Provides interface for auxiliary equipment e.g. pumps, ventilation fans or light systems
- Robust construction
- Compatible with all Rada Pulse Operating systems, sensors and solenoids

DIMENSIONS (MM) & INSTALLATION



RADA PULSE HAND HELD PROGRAMMER

PRODUCT IMAGE



PRODUCT INFORMATION

PRODUCT CODE

2.1.093.80.1

WEB

www.radacontrols.com/en/products/all-products/rada-pulse-hand-held-programmer/

COMPLEMENTARY PRODUCTS

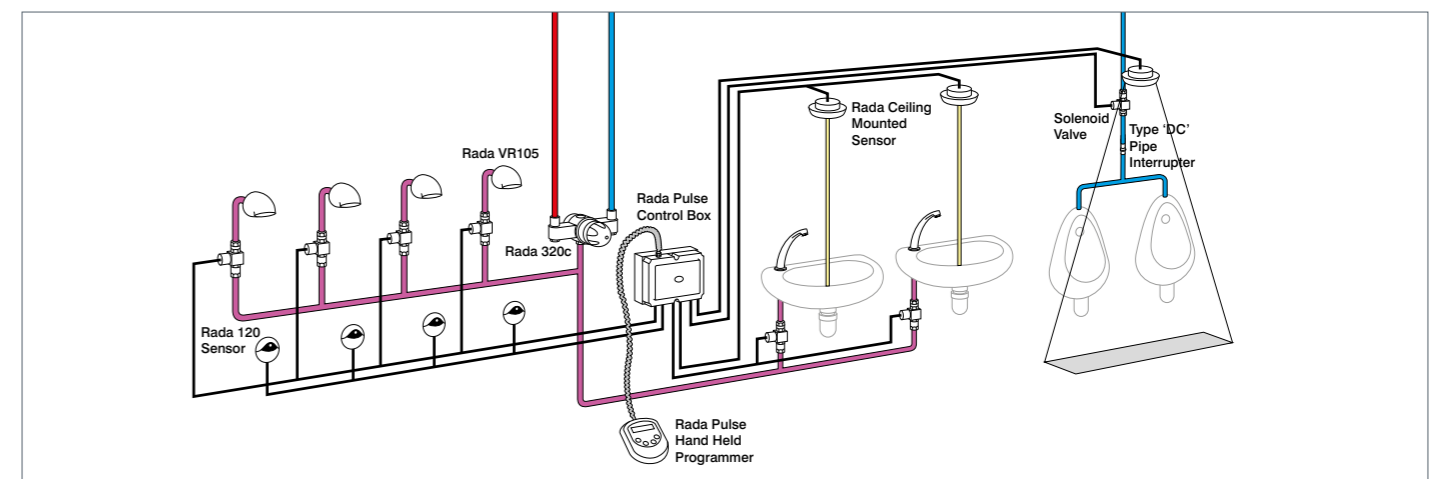
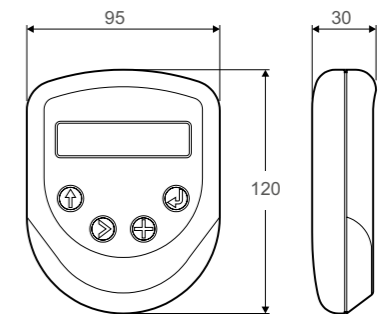
Rada Pulse Control Box
Rada Pulse Isolating Key Switch
Rada Pulse Operating Key Switch
Rada Pulse Relay Box

DESCRIPTION

With four touch sensitive buttons, two line alpha numeric display and 3.0 metres extendable coiled cable suitable for programming the Rada Pulse Control Box.

- Allows the user to program mode of operation, duty cycles and flow duration for individual outlets
- Flexible programming to ensure maximum economy
- Easy to follow menu
- Multi-lingual
- Easy to use 'copy and paste' facility to assist programming multiple outlets

DIMENSIONS (MM) & INSTALLATION





RADA PULSE ISOLATING KEY SWITCH

PRODUCT IMAGE



PRODUCT INFORMATION

PRODUCT CODE

2.1495.080

WEB

www.radacontrols.com/en/products/all-products/rada-pulse-isolating-key-switch/

COMPLEMENTARY PRODUCTS

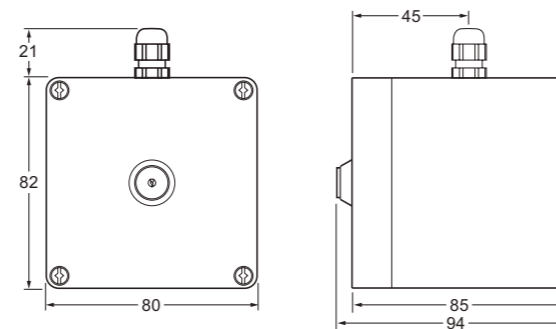
Rada Pulse Control Box System

DESCRIPTION

Rada Pulse Isolating Key Switch for temporary disablement of Rada Pulse Control Box during cleaning or maintenance.

- Designed to be wired to the Rada Pulse Control Box
- Enables the temporary disabling of a Rada Pulse Washroom Control System during cleaning and maintenance periods
- For additional security, the key may only be removed when it's in the 'OFF' position

DIMENSIONS (MM)



RADA PULSE OPERATING KEY SWITCH

PRODUCT IMAGE



PRODUCT INFORMATION

PRODUCT CODE

2.1495.081

WEB

www.radacontrols.com/en/products/all-products/rada-pulse-operating-key-switch/

COMPLEMENTARY PRODUCTS

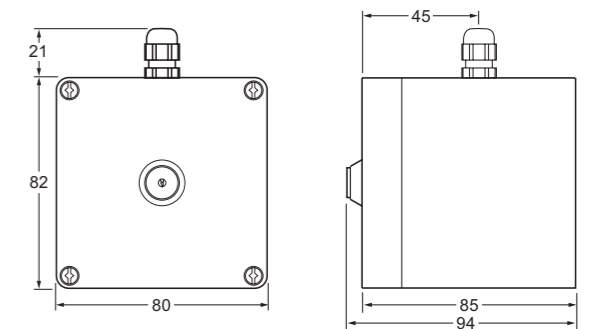
Rada Pulse Control Box System

DESCRIPTION

Rada Pulse Operating Key Switch for the manual operation of multiple outlets by authorised key holders.

- Designed to be wired to the Rada Pulse Control Box
- Enables ON/OFF operation of the outlets, for such as group showers, for requisite period by authorised key holder
- For additional security, the key may only be removed when it's in the 'OFF' position

DIMENSIONS (MM)





RADA PULSE RELAY BOX

PRODUCT IMAGE



PRODUCT INFORMATION

PRODUCT CODE

2.1495.044

WEB

www.radacontrols.com/en/products/all-products/rada-pulse-relay-box/

COMPLEMENTARY PRODUCTS

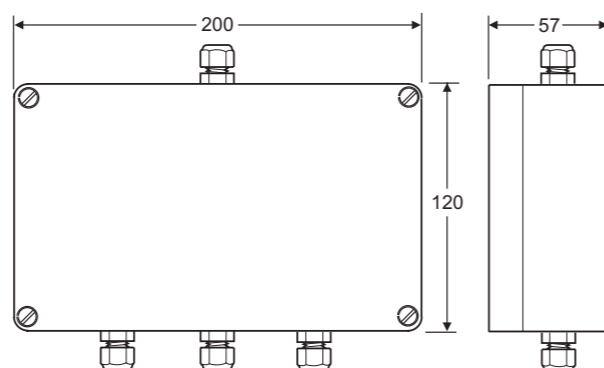
Rada Pulse Control Box System

DESCRIPTION

Rada Pulse Relay Box for use with the Rada Pulse Washroom Control Box to provide three switched relays for operation of pumps, lights and fans.

- Designed to be connected to and controlled by the Rada Pulse Control Box
- Provides three switched relays which enable the Rada Pulse Control Box to be used to initiate the operation of such as pumps, lights and fans
- All three relay outputs are fuse protected

DIMENSIONS (MM)



RADA PULSE 120 UNIVERSAL OPERATING SYSTEM FOR HAND WASHING OR SHOWERING

PRODUCT IMAGE



PRODUCT INFORMATION

PRODUCT CODE

1.1495.063

WEB

www.radacontrols.com/en/products/all-products/rada-pulse-120-operating-system/

COMPLEMENTARY PRODUCTS

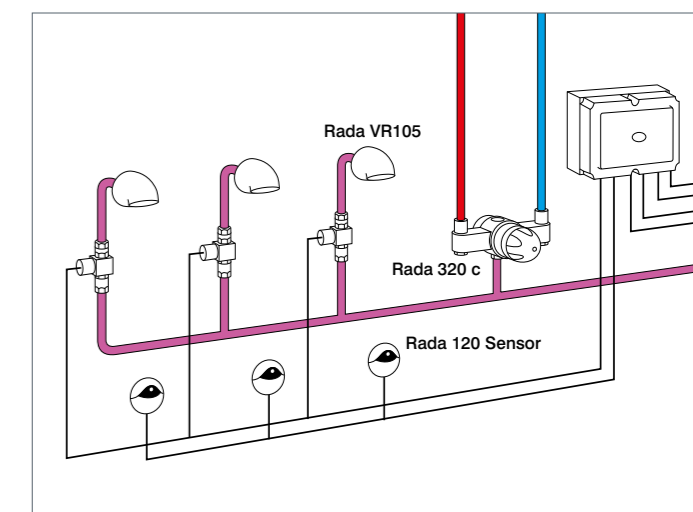
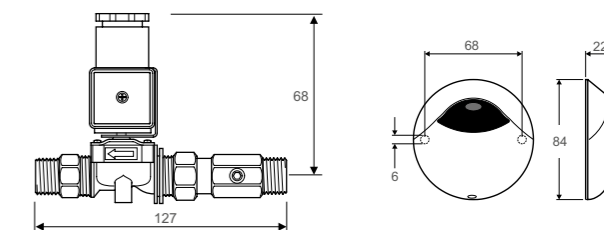
Rada Pulse Control Box
Rada Pulse Hand Held Programmer
Rada VR Shower Heads
Rada VR2 Shower Head
Rada SP W150 Spout
Rada SP WD100 Spout

DESCRIPTION

Each outlet to be served by one Rada Pulse 120 Operating System with wall mounted 'no touch' flow control. Complete with active infra-red sensor and 1/2" solenoid valve with isolator and filter.

- Hygiene 'no-touch' control
- Suitable for showering and handwashing
- Wall mounted sensor for 'no-touch' control of a single wash basin or shower
- Economy and flexibility – timing can be programmed to suit application
- All elements linked via safe extra low voltage (12 Volts) supply
- For use with Rada Pulse Control Box system

DIMENSIONS (MM) & INSTALLATION





RADA PULSE 129 UNIVERSAL OPERATING SYSTEM FOR HAND WASHING OR SHOWERING

PRODUCT IMAGE



PRODUCT INFORMATION

PRODUCT CODE

1.1495.068

WEB

www.radacontrols.com/en/products/all-products/rada-pulse-129-operating-system/

COMPLEMENTARY PRODUCTS

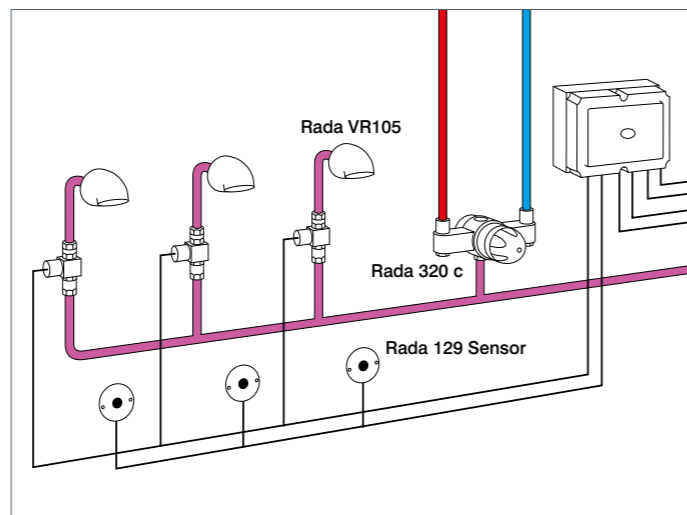
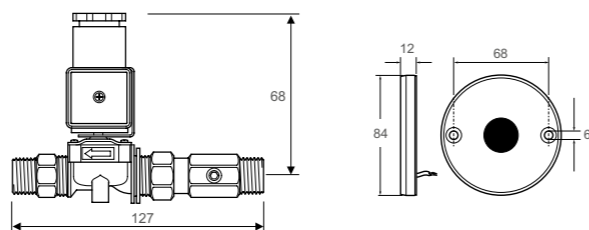
Rada Pulse Control Box
Rada Pulse Hand Held Programmer
Rada VR Shower Heads
Rada VR2 Shower Head
Rada SP W150 Spout
Rada SP WD100 Spout

DESCRIPTION

Each outlet to be served by one Rada Pulse 129 Operating System wall mounted 'no touch' flow control. Complete with chrome plated active infra-red sensor and 1/2" solenoid valve with isolator and filter.

- Hygiene 'no-touch' control
- Suitable for showering and handwashing
- Wall mounted sensor for 'no-touch' control of a single wash basin or shower
- Economy and flexibility – timing can be programmed to suit application
- All elements linked via safe extra low voltage (12 Volts) supply
- For use with Rada Pulse Control Box system

DIMENSIONS (MM) & INSTALLATION



RADA PULSE 124 OPERATING SYSTEM FOR HAND WASHING

PRODUCT IMAGE



PRODUCT INFORMATION

PRODUCT CODE

1.1495.065

WEB

www.radacontrols.com/en/products/all-products/rada-pulse-124-operating-system/

COMPLEMENTARY PRODUCTS

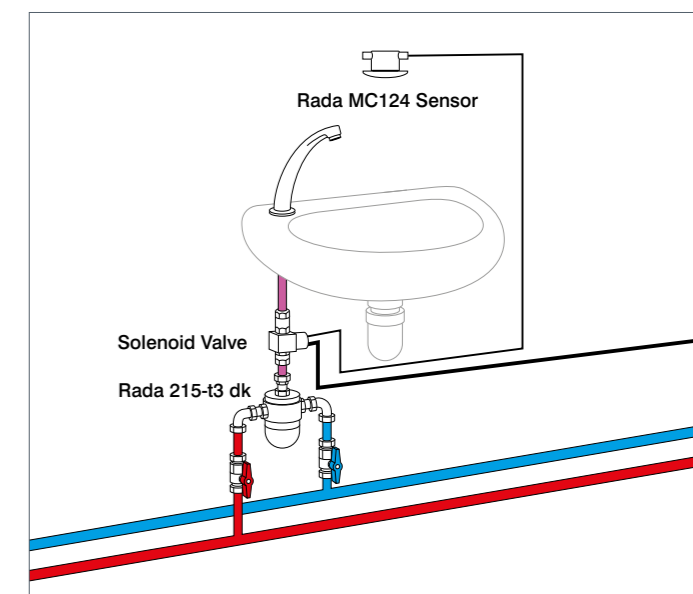
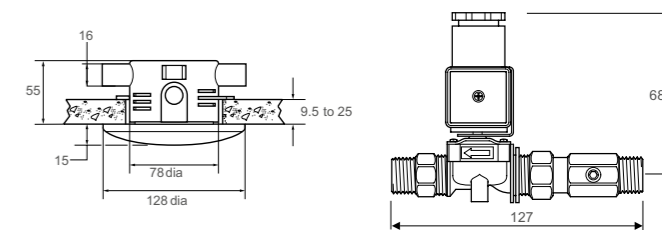
Rada Pulse Control Box System
Rada Pulse Hand Held Programmer
Rada SP W150 Spout
RADA SP WD100 Spout

DESCRIPTION

Each outlet to be served by one Rada Pulse 124 Operating System ceiling mounted flow control. Complete with concealed passive infra-red sensor and 1/2" solenoid valve with isolator and filter.

- Hygiene 'no-touch' control
- Ceiling mounted sensor for 'no-touch' control of single washbasins
- Economy and flexibility – timing can be programmed to suit application
- All elements linked via safe extra low voltage (12 Volts) supply
- For use with Rada Pulse Control Box system

DIMENSIONS (MM) & INSTALLATION





RADA PULSE 122 OPERATING SYSTEM FOR URINAL FLUSHING

PRODUCT IMAGE



PRODUCT INFORMATION

PRODUCT CODE

1.1495.064

WEB

www.radacontrols.com/en/products/all-products/rada-pulse-122-operating-system/

COMPLEMENTARY PRODUCTS

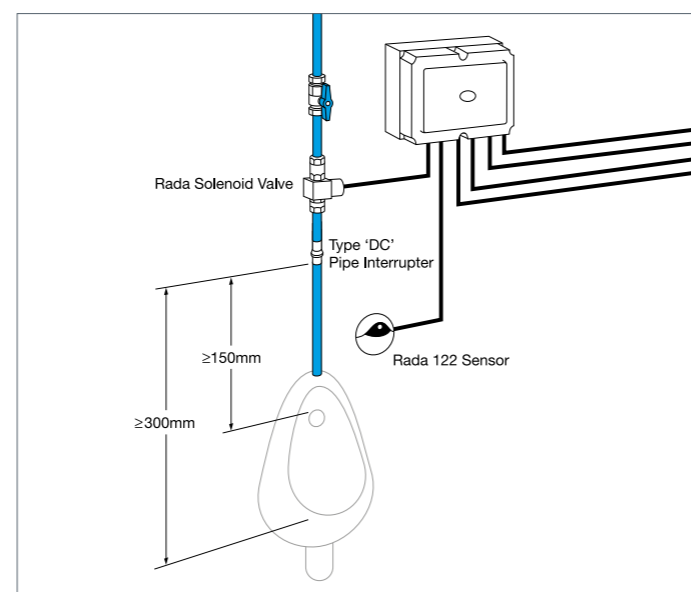
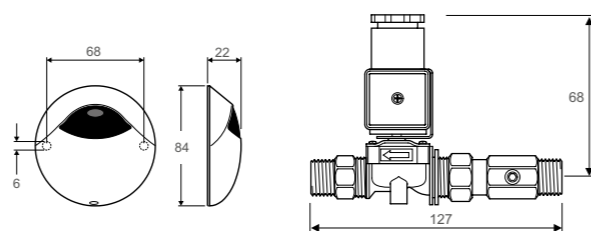
Rada Pulse Control Box
Rada Pulse Hand Held Programmer

DESCRIPTION

Each urinal bowl to be served by one Rada Pulse 122 Operating System wall mounted flushing control. Complete with concealed active infra-red sensor and 1/2" solenoid valve with isolator and filter.

- Hygiene 'no-touch' automatic urinal flushing
- Wall mounted sensor for 'no-touch' control of a single urinal
- Programmable flush times provides flexibility and greater economy
- Automatic duty flush when building unoccupied
- All elements linked via safe extra low voltage (12 Volts) supply
- For use with Rada Pulse Control Box system

DIMENSIONS (MM) & INSTALLATION



RADA PULSE 125 OPERATING SYSTEM FOR URINAL FLUSHING

PRODUCT IMAGE



PRODUCT INFORMATION

PRODUCT CODE

1.1495.066

WEB

www.radacontrols.com/en/products/all-products/rada-pulse-125-operating-system/

COMPLEMENTARY PRODUCTS

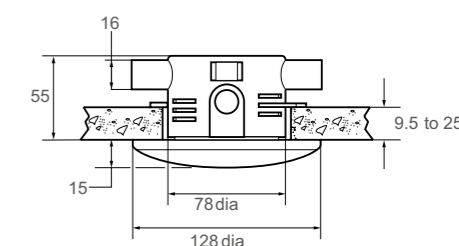
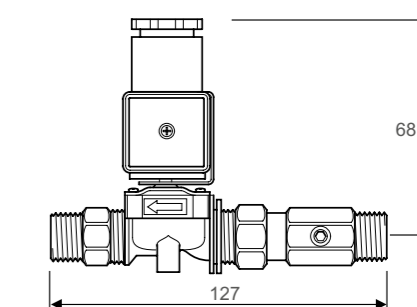
Rada Pulse Control Box
Rada Pulse Hand Held Programmer

DESCRIPTION

Each urinal bowl to be served by one Rada Pulse 125 Operating System ceiling mounted flow control. Complete with concealed passive infra-red sensor and 1/2" solenoid valve with isolator and filter.

- Hygiene 'no-touch' automatic urinal flushing
- Ceiling mounted sensor for 'no-touch' control of a single urinal
- Programmable flush times provides flexibility and greater economy
- Automatic duty flush when building unoccupied
- All elements linked via safe extra low voltage (12 Volts) supply
- For use with Rada Pulse Control Box system

DIMENSIONS (MM)





RADA PULSE 126 OPERATING SYSTEM FOR URINAL FLUSHING

PRODUCT IMAGE



PRODUCT INFORMATION

PRODUCT CODE

1.1495.067

WEB

www.radacontrols.com/en/products/all-products/rada-pulse-126-operating-system/

COMPLEMENTARY PRODUCTS

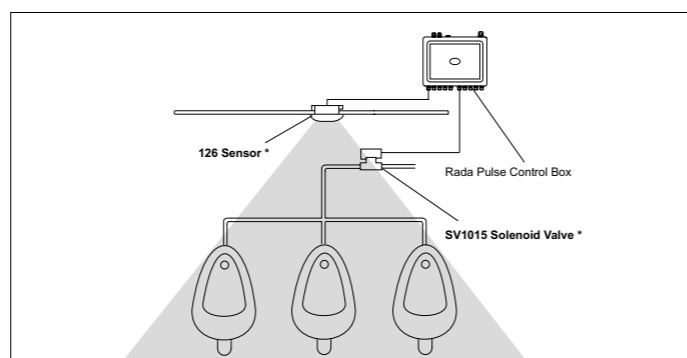
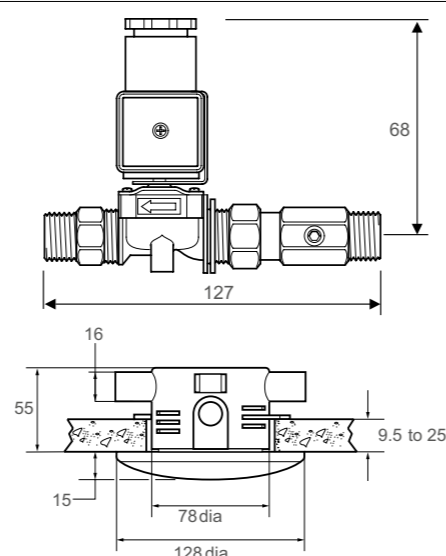
Rada Pulse Control Box
Rada Pulse Hand Held Programmer

DESCRIPTION

Each group of up to three urinal bowls to be served by one Rada Pulse 126 Operating System ceiling mounted flow control. Complete with concealed passive infra-red sensor and 1/2" solenoid valve with isolator and filter.

- For group (up to three) urinal flushing
- Hygiene 'no-touch' automatic urinal flushing
- Ceiling mounted sensor for 'no-touch' control of a single urinal
- Programmable flush times provides flexibility and greater economy
- Automatic duty flush when building unoccupied
- All elements linked via safe extra low voltage (12 Volts) supply
- For use with Rada Pulse Control Box system

DIMENSIONS (MM)



Only the Sensor and Solenoid are supplied with this operating system as indicated *



PRESTO SENSOR DIRECT FLUSH VALVE (BATTERY)

PRODUCT IMAGE



PRODUCT INFORMATION

PRODUCT CODE

55487

WEB

www.radacontrols.com/en/products/all-products/presto-conc-sensor-flush-plate-batt-55487

COMPLEMENTARY PRODUCTS

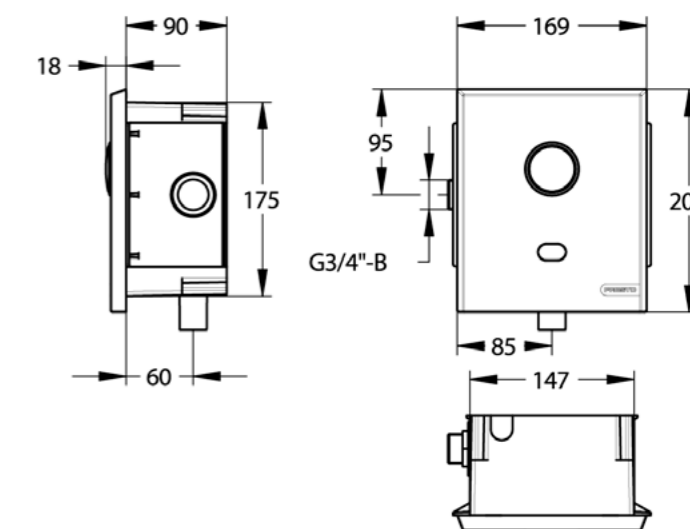
n/a

DESCRIPTION

A battery-operated and concealed sensor flush valve.

- 1 to 5 bar working pressure
- Small volume: 4l (+/- 1l) adjustable from 2 to 6l at 2.5 bar
- Large volume: 6l (+/- 1l) adjustable from 4 to 9l at 2.5 bar
- Volume preset at +/- 1.5l on pressure range from 1.2 to 4 bar
- Anti-water-hammering device
- Automatic 1/l s flow limiter, from 1.2 to 4 bar dynamic working pressure
- Dual flush volume automatic detection depending on the time of user presence (4/6l – short/long detection)
- Concealed, direct automatic contact less flush valve, limiting the spread of bacteria & controlling water consumption
- Integrated 6V-CRP2 lithium battery type in water-proof casing
- With integrated flow regulator and automatic dual volume function according to the length of time the user is present (+/- 30 seconds)
- DZR Brass body and stop valve, with anti-vandal brushed stainless steel 304l front plate
- Vacuum breaker device prevents the contamination of the water network from polluted water backflow
- Patented anti-blocking "S" system to avoid the water to flow continuously
- Solenoid valve will be automatically closed in case of low battery or any detector damage

DIMENSIONS (MM)





PRESTO SENSOR DIRECT FLUSH VALVE (MAINS)

PRODUCT IMAGE



PRODUCT INFORMATION

PRODUCT CODE

55486

WEB

www.radacontrols.com/en/products/all-products/presto-conc-sensor-flush-plate-main

COMPLEMENTARY PRODUCTS

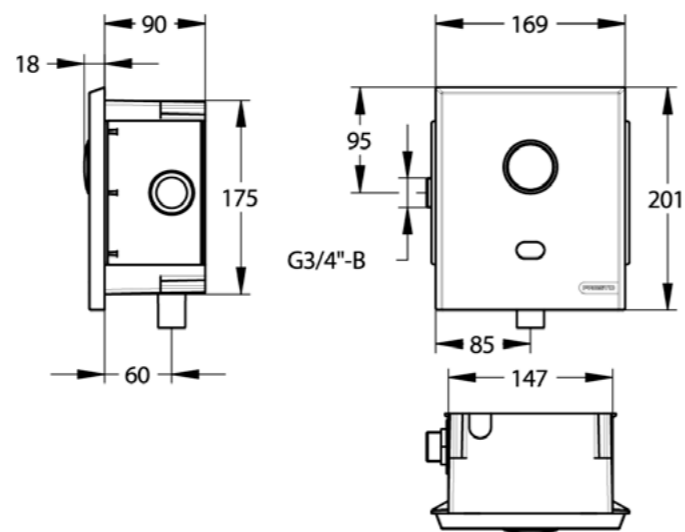
n/a

DESCRIPTION

A mains-operated and concealed sensor flush valve.

- 1 to 5 bar working pressure
- Small volume: 4l (+/- 1l) adjustable from 2 to 6l at 2.5 bar
- Large volume: 6l (+/- 1l) adjustable from 4 to 9l at 2.5 bar
- Volume preset at +/- 1.5l on pressure range from 1.2 to 4 bar
- Anti-water-hammering device
- Automatic 1 l/s flow limiter, from 1.2 to 4 bar dynamic working pressure
- Dual flush volume automatic detection depending on the time of user presence (4/6l – short/long detection)
- Concealed, direct automatic contactless flush valve, limiting the spread of bacteria & controlling water consumption
- Powered with mains 7V via 12V / 24V AC or DC. Compatible with 230 V AC / 12 V AC transformer not included
- With integrated flow regulator and automatic dual volume function according to the length of time the user is present (+/- 30 seconds)
- DZR Brass body and stop valve, with anti-vandal brushed stainless steel 304l front plate
- Vacuum breaker device prevents the contamination of the water network from polluted water backflow
- Patented anti-blocking "S" system to avoid the water to flow continuously
- The solenoid valve will be closed automatically in case of low battery or any damage of detector

DIMENSIONS (MM)



BATHING

Details on Rada's specialised solutions for bathing applications are featured here.

These include an under-bath thermostatic mixing valve (with TMV3 approval for use in high-risk applications) plus other products which reflect Rada's technological capabilities such as a fully thermostatic and TMV3-approved bath and shower mixer. This section also features Rada's bath spout for use with pre-blended water. These versatile products allow for the creation of bathing and showering solutions.

For more information on the complementary products in this section, refer to the product index on pages 154 – 156.



RADA 222 T3 DK

PRODUCT IMAGE



DESCRIPTION

$\frac{3}{4}$ " thermostatic mixing valve incorporating Radatherm service-free cartridge, check valves and strainers. Supplied with $\frac{3}{4}$ " flat faced union connectors terminating in 22mm compression connections.

- Buildcert TMV3 Scheme Approved
- Features the unique patented 'Radatherm' service-free cartridge
- Complete with check valves and strainers
- Connections: (Inlets & Outlet) $\frac{3}{4}$ " flat-faced male union. Note: 2 elbows and 1 straight union connector are supplied, terminating in 22mm compression connections

PRODUCT INFORMATION

PRODUCT CODE

1.0.407.07.3

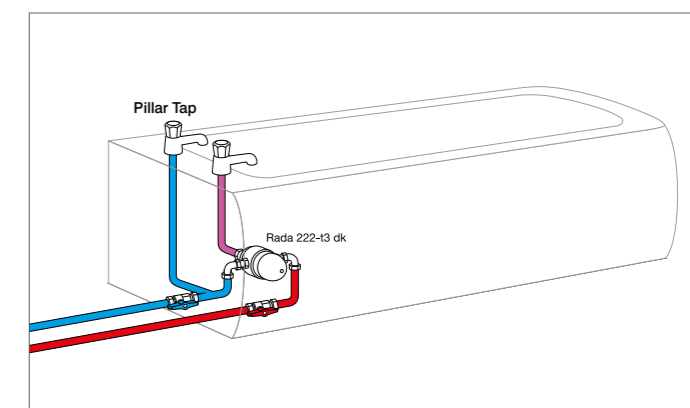
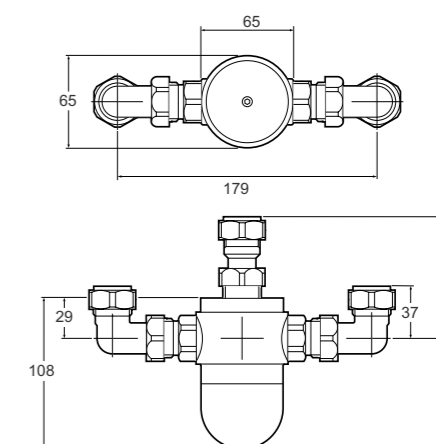
WEB

www.radacontrols.com/en/products/all-products/rada-222-t3-dk/

COMPLEMENTARY PRODUCTS

Rada Pulse Range
Rada SP T150 Wall Mounted Bath Spout

DIMENSIONS (MM) & INSTALLATION





RADA SP T150 WALL MOUNTED BATH SPOUT – SHORT

PRODUCT IMAGE



DESCRIPTION

A wall mounted bath spout with 150mm throw supplied complete with a flow straightener.

- Durable polished chrome finish
- Easy to install

PRODUCT INFORMATION

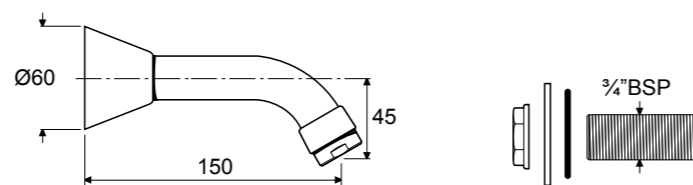
PRODUCT CODE

1.1503.734

WEB

www.radacontrols.com/en/products/all-products/rada-sp-t150-wall-mounted-bath-spout-short/

DIMENSIONS (MM)



RADA SENSE

FULL RANGE OF RADA SENSE
BATH PRODUCTS ON PAGES 21 – 22.

Concealed digital mixing valves for bath/shower, offering non-touch flow and temperature control, programmable maximum, minimum and default temperatures, duty flush and thermal disinfection with datalogging capabilities.

Quick and seamless adjustments to programmed settings such as temperature, flow times, and duty flush parameters to suit your specific needs through use of the Rada Sense App (IOS and Android).



SHOWER FITTINGS

This range of fixed and adjustable fittings allow Rada's customers to tailor each showering installation to suit the specific project in question.

Whether you require contemporary rail kits, Category 5 compliant bath and shower mixer kits, vandal or ligature-resistant shower fittings, Rada can provide the perfect shower fitting solution.

For more information on the complementary products in this section, refer to the product index on pages 154 – 156.



RADA EV SHOWER FITTINGS

PRODUCT IMAGE



PRODUCT INFORMATION

PRODUCT CODE

2.1642.001

WEB

www.radacontrols.com/en/products/all-products/rada-ev-shower-fittings/

COMPLEMENTARY PRODUCTS

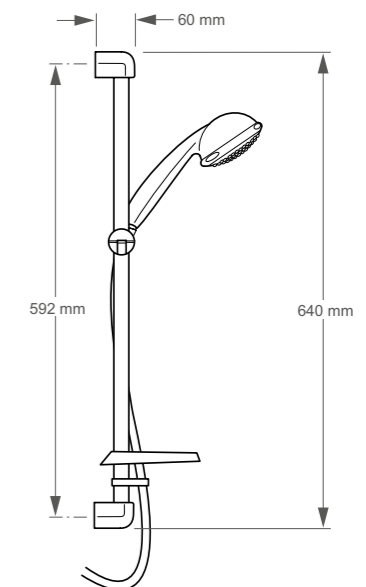
Rada RAC Accessory

DESCRIPTION

Slide rail shower kit, supplied complete with 1.25m flexible hose, clamp bracket assembly, slide bar, end supports, soap dish, hose retaining ring and adjustable spray handset. Available in chrome finish. Suitable for connection to surface mounted shower controls.

- Easy to use – 5 function handset
- Suitable for high or low pressure plumbing systems
- RAC accessory available for built-in shower controls
- Connections: The shower hose terminates with a 1/2" BSP female thread

DIMENSIONS (MM)





RADA EV HEAVY DUTY SHOWER FITTINGS

PRODUCT IMAGE



PRODUCT INFORMATION

PRODUCT CODE

2.1642.002

WEB

www.radacontrols.com/en/products/all-products/rada-ev-heavy-duty-shower-fittings/

COMPLEMENTARY PRODUCTS

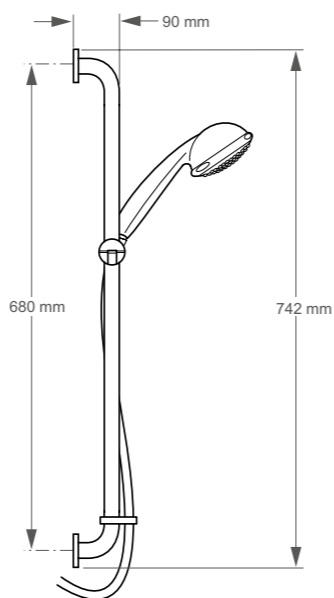
Rada RAC Accessory

DESCRIPTION

Robust shower rail kit, supplied complete with 1.25 m flexible hose, clamp bracket assembly, hose retaining ring and adjustable spray handset. Available in chrome finish. Suitable for connection to surface mounted shower controls.

- Easy to use – 5 function handset
- Suitable for high or low pressure plumbing systems
- Heavy duty slide bar
- RAC accessory available for built-in shower controls
- Connections: The shower hose terminates with a ½" BSP female thread

DIMENSIONS (MM)



RADA LR HEAD

PRODUCT IMAGE



PRODUCT INFORMATION

PRODUCT CODE

2.1640.001

WEB

www.radacontrols.com/en/products/all-products/rada-lr-head/

COMPLEMENTARY PRODUCTS

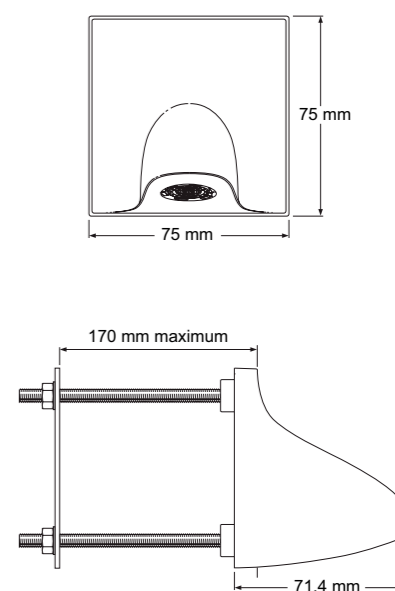
Rada Pulse Control Box System

DESCRIPTION

Ligature resistant shower head/short projection basin spout for connection to concealed pipework. Fitted with an 8 l/min spray cartridge, with a 5.0 l/min flow straightener supplied for basin use.

- For use with the Rada Pulse Control Box System
- Ideal for prisons and secure psychiatric facilities
- Designed to be recessed or built within the wall surface to prevent ligature points
- Vandal resistant, ligature resistant, suitable for showering or as a short projection basin spout
- Fitted with an 8 l/min spray cartridge providing consistent, efficient shower performance
- 5 l/min flow straightener supplied for basin use
- ½" BSP connection

DIMENSIONS (MM)





RADA VR2-RS

PRODUCT IMAGE



PRODUCT INFORMATION

PRODUCT CODE

2.1652.009

WEB

www.radacontrols.com/en/products/all-products/rada-vr2-rs/

COMPLEMENTARY PRODUCTS

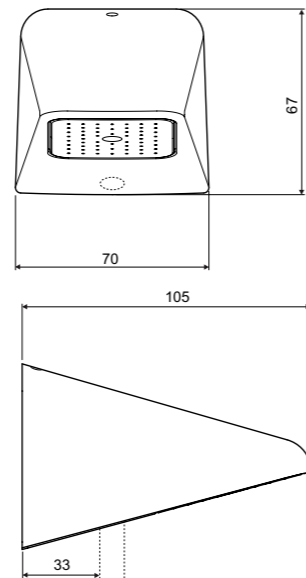
n/a

DESCRIPTION

For connection to concealed pipework, 1/2" BSP connection. With fixed spray plate and 9 l/min flow regulator (6.0 l/min regulator supplied).

- Vandal resistant shower head
- Available for concealed applications
- Combines style with high performance
- Ideal for leisure facilities, secure establishments, schools and student accommodation
- Polished chrome plated to a high standard
- Easy to fit and secure installation
- Choice of 9 l/min (fitted) or 6 l/min flow regulator (supplied) for water economy
- Connections: 1/2" BSP

DIMENSIONS (MM)



RADA VR2-ES

PRODUCT IMAGE



PRODUCT INFORMATION

PRODUCT CODE

2.1652.011

WEB

www.radacontrols.com/en/products/all-products/rada-vr2-es/

COMPLEMENTARY PRODUCTS

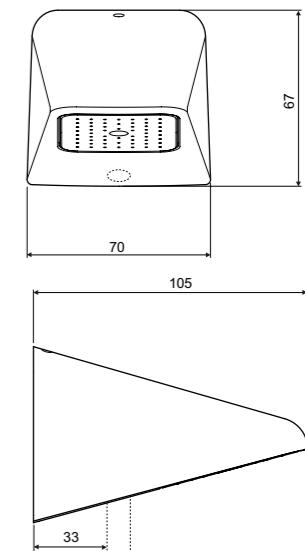
Rada Riser Pipe

DESCRIPTION

For connection to rising surface pipework, 15mm push-fit pipe connection. With fixed spray plate and 9 l/min flow regulator (6.0 l/min regulator supplied).

- Vandal resistant shower head
- Available for exposed applications
- Combines style with high performance
- Ideal for leisure facilities, secure establishments, schools and student accommodation
- Polished chrome plated to a high standard
- Easy to fit and secure installation
- Choice of 9 l/min (fitted) or 6 l/min flow regulator (supplied) for water economy
- Connections: inlet 1/2" BSP

DIMENSIONS (MM)





RADA VR2-CC

PRODUCT IMAGE



PRODUCT INFORMATION

PRODUCT CODE

2.1652.010

WEB

www.radacontrols.com/en/products/all-products/rada-vr2-cc/

COMPLEMENTARY PRODUCTS

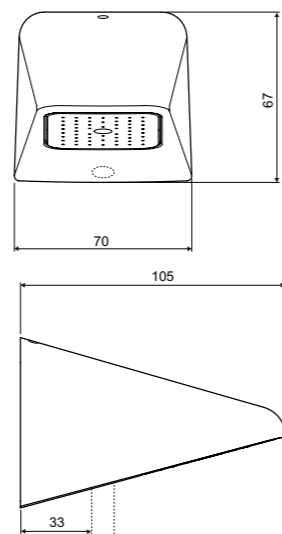
n/a

DESCRIPTION

For connection to concealed pipework, 15 mm compression fitting connection. With fixed spray plate and 9 l/min flow regulator (6.0 l/min regulator supplied).

- Vandal resistant shower head
- Available for concealed applications
- Combines style with high performance
- Ideal for leisure facilities, secure establishments, schools and student accommodation
- Polished chrome plated to a high standard
- Easy to fit and secure installation
- Choice of 9 l/min (fitted) or 6 l/min flow regulator (supplied) for water economy
- Connections: 15mm compression

DIMENSIONS (MM)



RADA VR105

PRODUCT IMAGE



PRODUCT INFORMATION

PRODUCT CODE

1.0.098.77.1

WEB

www.radacontrols.com/en/products/all-products/rada-vr105/

COMPLEMENTARY PRODUCTS

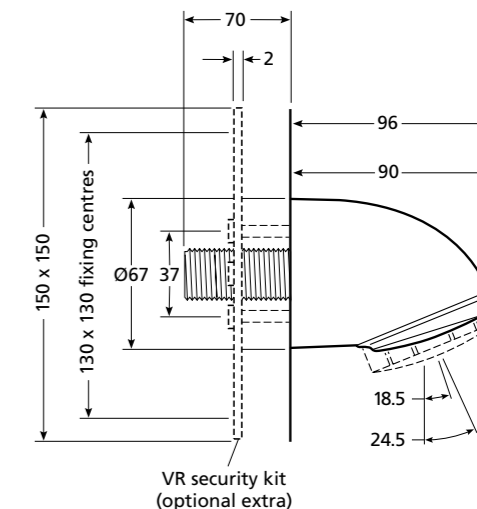
Rada VR Security Kit
Rada 310R Cartridge
Rada 300R Cartridge

DESCRIPTION

Vandal resistant shower fitting for connection to concealed pipework with fixed spray plate and 9 l/min flow regulator.

- Durable polished chrome finish
- Optional security plate for increased vandal resistance
- 1/2" BSP male nipple connection
- Fitted with single spray pattern plate with adjustable angle of discharge
- Fitted with 9 litres/minute flow regulator (6 litre regulator available)
- Connections: 1/2" BSP parallel nipple to concealed pipe work

DIMENSIONS (MM)





RADA VR115

PRODUCT IMAGE



PRODUCT INFORMATION

PRODUCT CODE

1.0.098.83.1

WEB

www.radacontrols.com/en/products/all-products/rada-vr115/

COMPLEMENTARY PRODUCTS

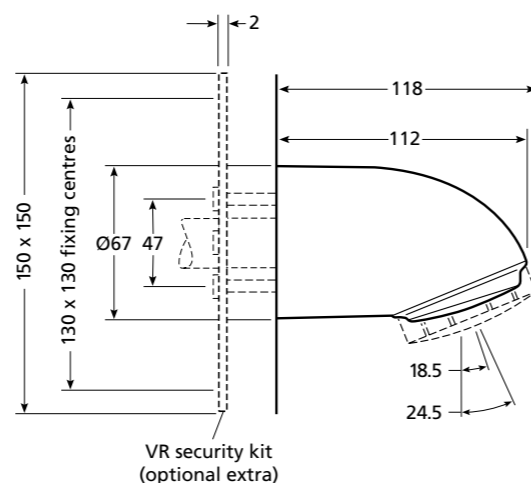
Rada VR Security Kit
Rada 310R Cartridge
Rada 300R Cartridge

DESCRIPTION

Vandal resistant shower fitting for connection to concealed pipework with fixed spray plate and 9 l/min flow regulator.

- Durable polished chrome finish
- Optional security plate for increased vandal resistance
- 15 mm compression connection
- Fitted with single spray pattern plate with adjustable angle of discharge
- Fitted with 9 litres/minute flow regulator (6 litre regulator available)
- Connections: 15mm compression connection to concealed pipe work

DIMENSIONS (MM)



RADA VR125

PRODUCT IMAGE



PRODUCT INFORMATION

PRODUCT CODE

1.0.098.81.1

WEB

www.radacontrols.com/en/products/all-products/rada-vr125/

COMPLEMENTARY PRODUCTS

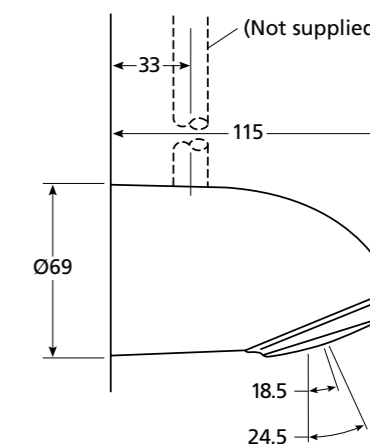
Rada Riser Pipe
Rada 310R Cartridge
Rada 300R Cartridge

DESCRIPTION

Vandal resistant shower fitting for connection to falling pipework with fixed spray plate and 9 l/min flow regulator.

- Durable polished chrome finish
- 15 mm compression connection
- Fitted with single spray pattern plate with adjustable angle of discharge
- Fitted with 9 litres/minute flow regulator (6 litre regulator available)
- Connections: Push-fit socket to accept 15mm pipe work

DIMENSIONS (MM)





RADA VR145

PRODUCT IMAGE



PRODUCT INFORMATION

PRODUCT CODE

1.0.098.79.1

WEB

www.radacontrols.com/en/products/all-products/rada-vr145/

COMPLEMENTARY PRODUCTS

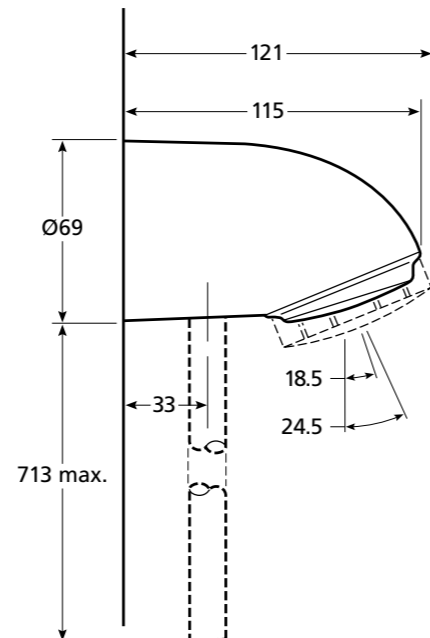
Rada Riser Pipe
Rada 310R Cartridge
Rada 300R Cartridge

DESCRIPTION

Vandal resistant shower fitting for connection to rising surface pipework with fixed spray plate and 9 l/min flow regulator.

- Durable polished chrome finish
- 15mm rising straight push-fit pipe connection
- Optional 'Rada Riser Pipe' suitable
- Fitted with single spray pattern plate with adjustable angle of discharge
- Fitted with 9 litres/minute flow regulator (6 litre regulator available)
- Connections: Push-fit socket to accept 15mm pipe work

DIMENSIONS (MM)



RADA ER-S 310 SHOWER FITTING

PRODUCT IMAGE



PRODUCT INFORMATION

PRODUCT CODE

1.0.108.45.1

WEB

www.radacontrols.com/en/products/all-products/rada-er-s-310/

COMPLEMENTARY PRODUCTS

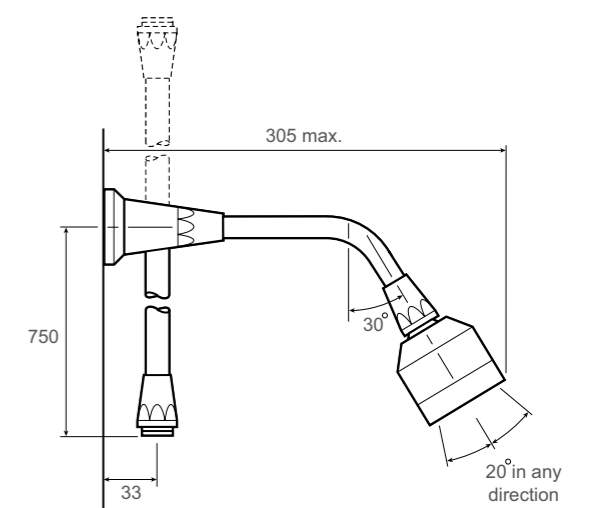
n/a

DESCRIPTION

Shower fitting assembly with stainless steel shower arm and riser pipe with 1/2" BSP male connection incorporating 310 hard water push clean spray fitting.

- Robust rigid riser/ball swivel shower head fitting assembly
- 1/2" BSP connections
- Durable polished chrome finish (shower head)
- Hard water shower head, self draining and push clean
- Robust, stainless steel shower arm and riser pipe

DIMENSIONS (MM)





RADA SH13 SPRAY HEAD – CHROME

PRODUCT IMAGE



PRODUCT INFORMATION

PRODUCT CODE

1.0.098.08.2

WEB

www.radacontrols.com/en/products/all-products/rada-sh13-chrome/

COMPLEMENTARY PRODUCTS

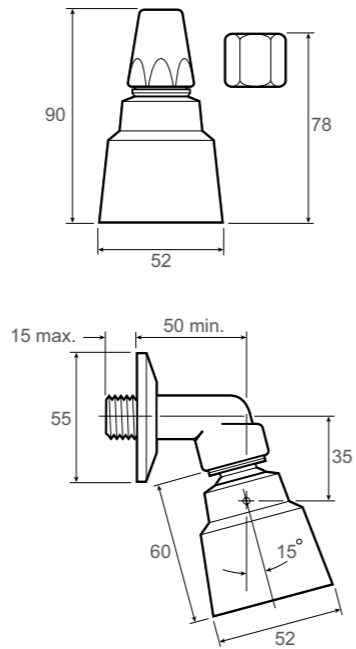
n/a

DESCRIPTION

A chrome plated swivel spray head in engineering plastic with 15mm compression connection.

- Chrome ball swivel shower head
- 15mm compression connections
- Chrome connections
- Single spray pattern

DIMENSIONS (MM)



RADA SH13 SPRAY HEAD – WHITE

PRODUCT IMAGE



PRODUCT INFORMATION

PRODUCT CODE

1.0.099.60.2

WEB

www.radacontrols.com/en/products/all-products/rada-sh13-spray-head-white/

COMPLEMENTARY PRODUCTS

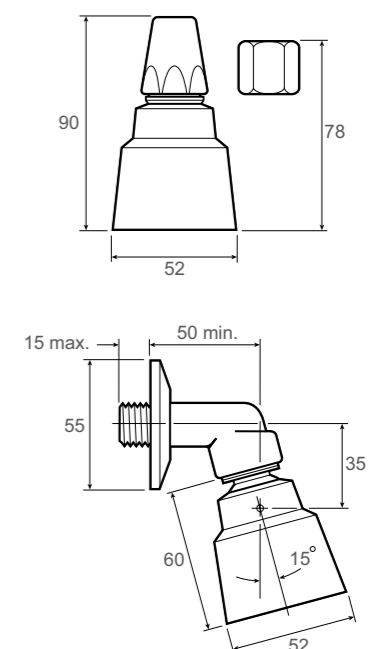
n/a

DESCRIPTION

A white swivel spray head in engineering plastic with 15mm compression connection.

- White ball swivel shower head
- 15mm compression connections
- White engineering plastic with chrome connections
- Single spray pattern

DIMENSIONS (MM)





RADA SH15 SPRAY HEAD – CHROME

PRODUCT IMAGE



PRODUCT INFORMATION

PRODUCT CODE

1.0.098.06.3

WEB

www.radacontrols.com/en/products/all-products/rada-sh15-chrome/

COMPLEMENTARY PRODUCTS

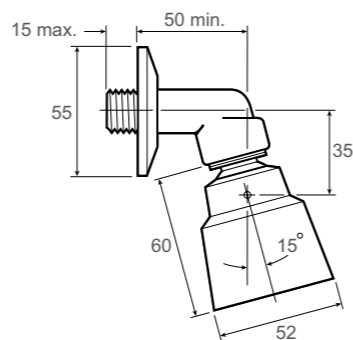
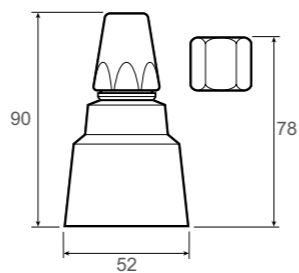
n/a

DESCRIPTION

A chrome plated swivel spray head with 1/2" BSP male/female connection.

- White ball swivel shower head
- 1/2" BSP male/female connections
- Chrome connections
- Single spray pattern

DIMENSIONS (MM)



RADA SH15 SPRAY HEAD – WHITE

PRODUCT IMAGE



PRODUCT INFORMATION

PRODUCT CODE

1.0.099.61.2

WEB

www.radacontrols.com/en/products/all-products/rada-sh15-spray-head-white/

COMPLEMENTARY PRODUCTS

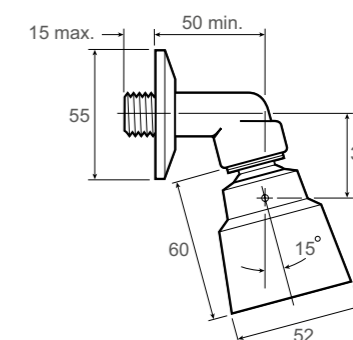
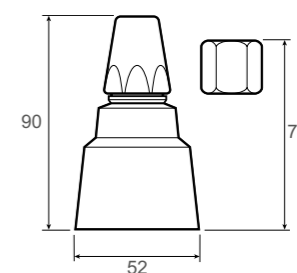
n/a

DESCRIPTION

A white swivel spray head in engineering plastic with 1/2" BSP male/female connection.

- White ball swivel shower head
- 1/2" BSP male/female connections
- White engineering plastic with chrome connections
- Single spray pattern

DIMENSIONS (MM)





RADA BSR S 300 - CHROME

PRODUCT IMAGE



PRODUCT INFORMATION

PRODUCT CODE

1.0.108.44.1

WEB

www.radacontrols.com/en/products/all-products/rada-bsr-s300-shower-fitting/

COMPLEMENTARY PRODUCTS

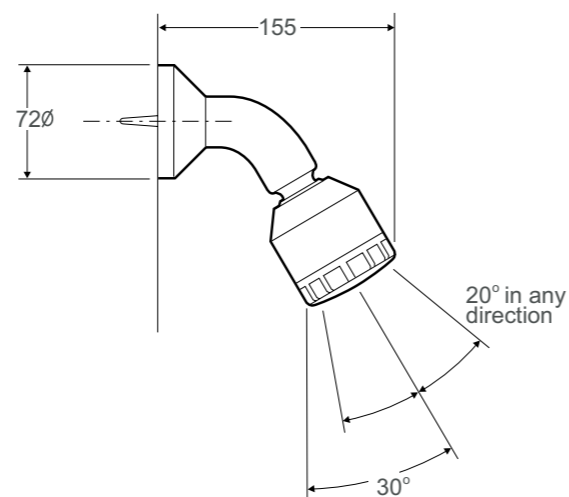
n/a

DESCRIPTION

Rigid shower fitting featuring a swivel shower head and 1/2" BSP nipple for connection to concealed pipework.

- Durable polished chrome finish
- Copper alloy rigid shower arm
- Chrome plated flexible shower head
- Variable spray pattern
- 1/2" BSP male nipple for concealed pipework connections
- Connections: 1/2" BSP parallel nipple for connection to concealed pipe work

DIMENSIONS (MM)



RADA SF1 10 EV SHOWER FITTINGS

PRODUCT IMAGE



PRODUCT INFORMATION

PRODUCT CODE

72964-CP

WEB

www.radacontrols.com/en/products/all-products/rada-sf1-10-ev/

COMPLEMENTARY PRODUCTS

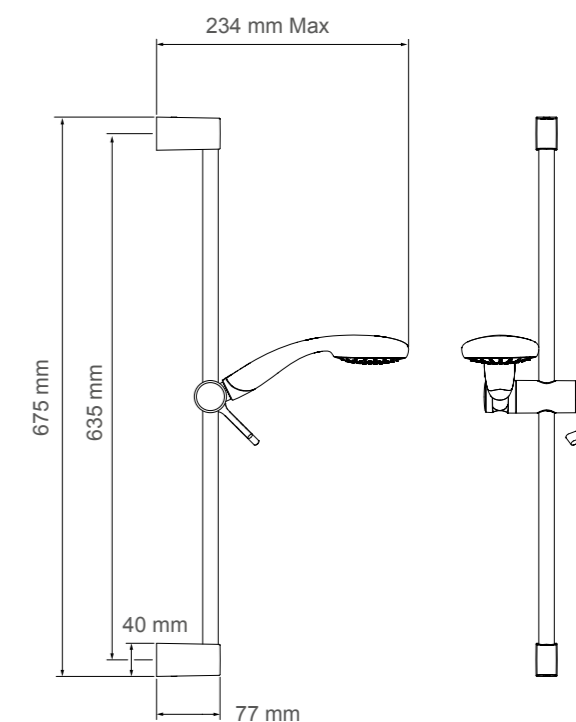
n/a

DESCRIPTION

Shower fittings kit with chrome hand shower, smooth hose and 675mm slide rail.

- Single mode removable spray plate
- Silicone nozzle mat – removable for cleaning
- 1.25 m smooth, easy-clean hose
- Easy one-handed height adjustment of hand shower
- 675 mm slide rail
- 8 L/min flow regulator supplied

DIMENSIONS (MM)





RADA SF1 10 BIV SHOWER FITTINGS

PRODUCT IMAGE



PRODUCT INFORMATION

PRODUCT CODE

72960-CP

WEB

www.radacontrols.com/en/products/all-products/rada-sf1-10-biv/

COMPLEMENTARY PRODUCTS

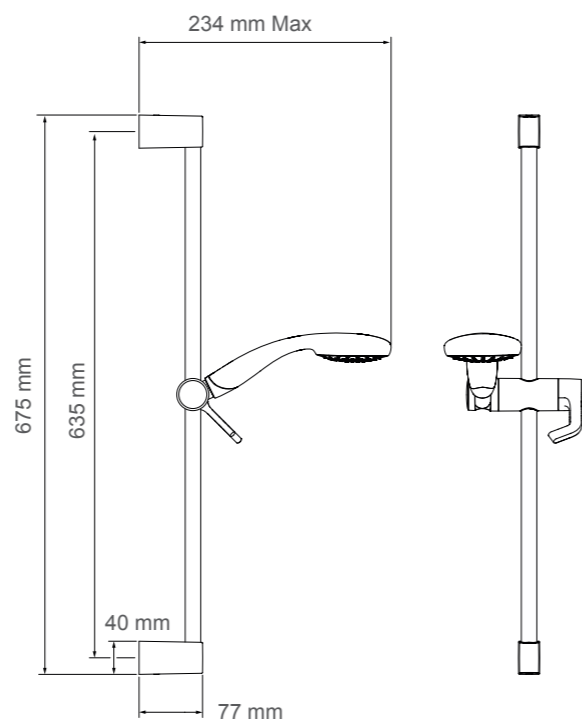
n/a

DESCRIPTION

Shower fittings kit with chrome hand shower, hose and slide rail.

- Single mode removable spray plate
- 1.25m hose / 675mm slide rail
- RAC with internal brass pipe
- 8 litres per minute flow regulator supplied
- Silicone nozzle mat – removable for cleaning
- 1.25 m smooth, easy-clean hose
- Easy one-handed height adjustment of hand shower

DIMENSIONS (MM)



RADA SF1 20 EV SHOWER FITTINGS

PRODUCT IMAGE



PRODUCT INFORMATION

PRODUCT CODE

72965-CP

WEB

www.radacontrols.com/en/products/all-products/rada-sf1-20-ev/

COMPLEMENTARY PRODUCTS

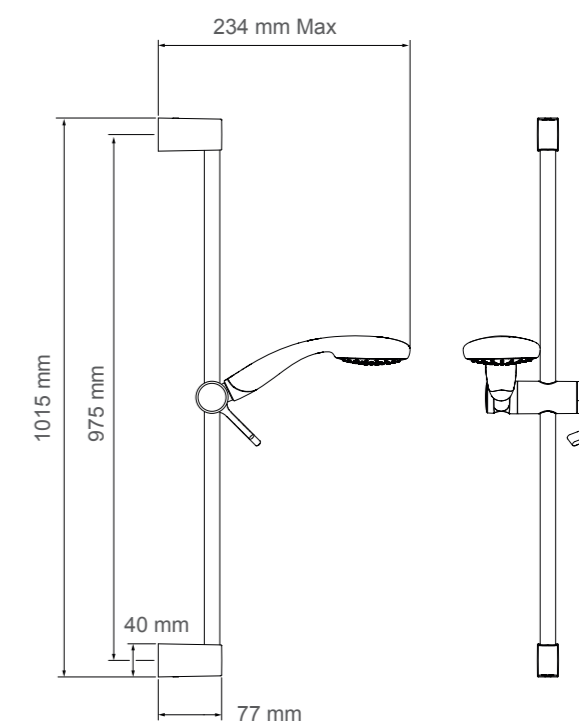
n/a

DESCRIPTION

Shower fittings kit with hand shower, 1.5 m hose and 1.0 m slide rail.

- Single mode removable spray plate
- Silicone nozzle mat – removable for cleaning
- 1.5 m smooth, easy-clean hose
- Easy one-handed height adjustment of hand shower
- 1.0 m slide rail
- 8 L/min flow regulator supplied

DIMENSIONS (MM)





RADA SF1 20 BIV SHOWER FITTINGS

PRODUCT IMAGE



PRODUCT INFORMATION

PRODUCT CODE

72961-CP

WEB

www.radacontrols.com/en/products/all-products/rada-sf1-20-biv/

COMPLEMENTARY PRODUCTS

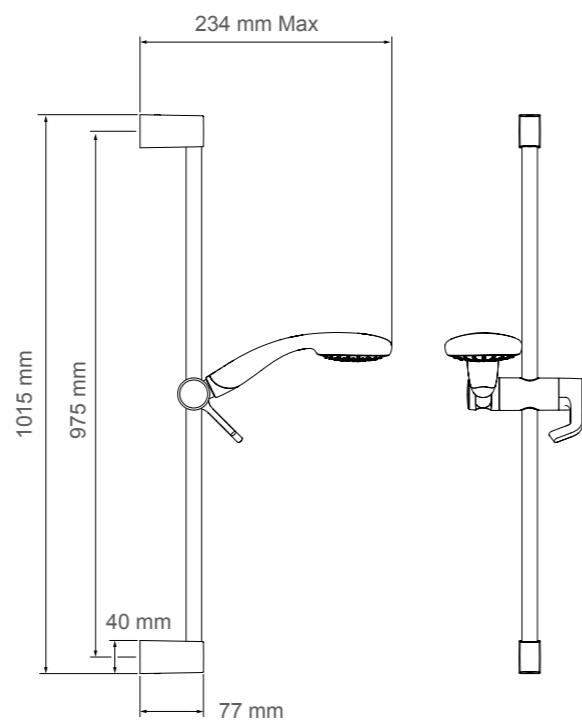
n/a

DESCRIPTION

Shower fittings kit with chrome hand shower, hose and 1.0m slide rail.

- Single mode removable spray plate
- Silicone nozzle mat – removable for cleaning
- 1.5 m smooth, easy-clean hose
- Easy one-handed height adjustment of hand shower
- 1.0 m slide rail
- Wall connection with internal brass pipe
- 8 L/min flow regulator supplied

DIMENSIONS (MM)



RADA SH1 UK SHOWER FITTINGS

PRODUCT IMAGE



PRODUCT INFORMATION

PRODUCT CODE

8 L/M – 72966-CP

Rada fixed shower head and arm (6 L/M) – 1422.692

WEB

www.radacontrols.com/en/products/all-products/rada-sh1-uk/

COMPLEMENTARY PRODUCTS

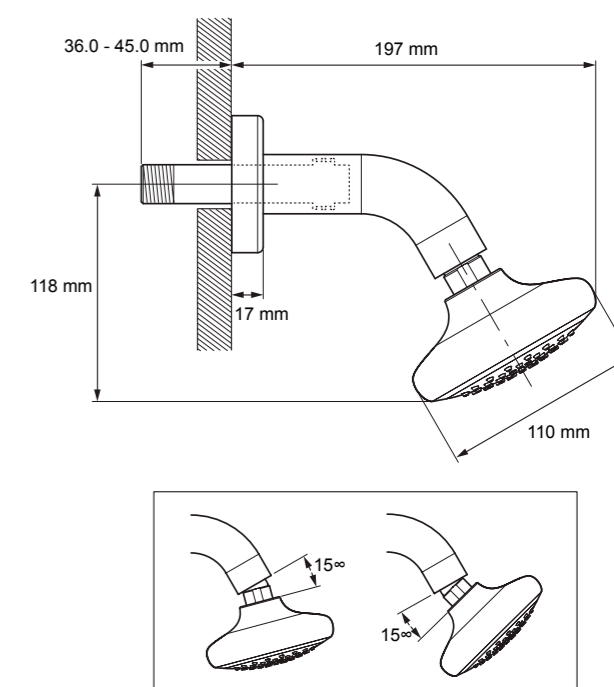
n/a

DESCRIPTION

A Chrome plated fixed shower with swivel head for connection to concealed pipework.

- Single mode removable spray plate
- Silicone nozzle mat – removable for cleaning
- Adjustable head angle
- 8 L/min flow regulator supplied

DIMENSIONS (MM)







RADA ACCESSORIES

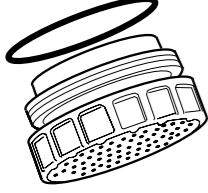
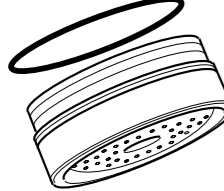
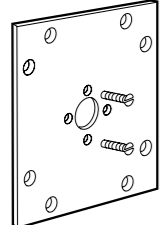
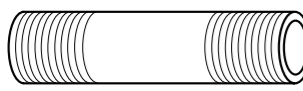
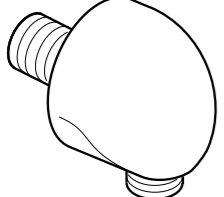
Here you will find details of Rada's comprehensive range of accessory products.

These include security kits which prevent shower heads being removed from the wall, replacement cartridges for Rada's vandal-resistant shower heads, individual solenoid valves, plus the full range of non-touch sensors which complement the Pulse electronic washroom system. Together these accessory products enable the Rada customer to ensure that their washroom solutions operate at maximum efficiency at all times.

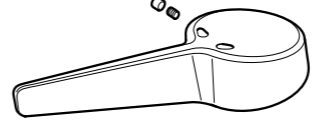
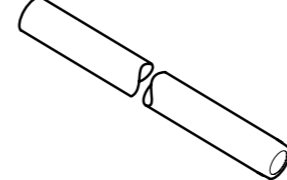
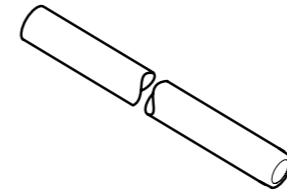
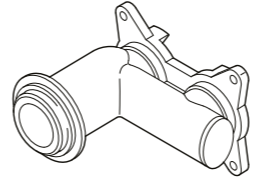

ACCESSORIES

PRODUCT IMAGE	PRODUCT INFORMATION	PRODUCT CODE
	<p>RADA SF1 70 FIXED HEAD ASSY ONLY (6 L/M)</p> <p>A single spray Shower Head- Assembly-only with 1/2" female union, for use with an existing shower arm.</p>	Rada SF1 70 fixed head assy only (6 L/M) – 2.1844.174
	<p>RADA SF1 60 HANDSET SM (6 L/M)</p> <p>A chrome plated, single spray Handset with a removable spray plate.</p>	Rada SF1 60 handset SM (6 L/M) – 2.1844.175
	<p>RADA SF1 NOZZLE MAT – MULTIPLE COLOURS (20)</p> <p>A pack of 20 replacement silicone nozzle mats, for use with the Rada SF1 Shower Fittings range.</p>	<p>Rada SF1 nozzle mat (20):</p> <p>Black – 2.1844.178 Blue – 2.1844.179 Green – 2.1844.181 Red – 2.1844.180</p>
	<p>PRESTO DUAL BRUSH FLUSH PLATE – 14320</p> <p>Direct dual flush valve with adjustable volumes with brushed chrome-plated front plate.</p>	PRESTO dual brush flush plate 14320

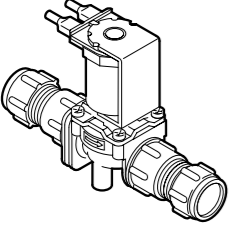
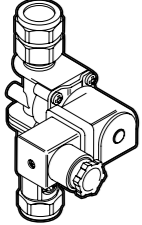
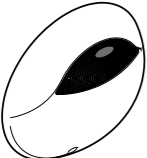

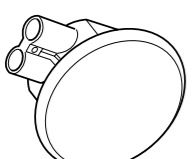
ACCESSORIES

PRODUCT IMAGE	PRODUCT INFORMATION	PRODUCT CODE
	<p>RADA 300R CARTRIDGE Chrome</p> <p>Adjustable spray cartridge for use with Rada VR Shower Head range. Offering a choice of spray patterns – start, active, relax.</p>	Rada 300R – 1.0.098.87.1
	<p>RADA 310R CARTRIDGE Chrome</p> <p>Push clean spray cartridge for use with Rada VR Shower Head range. Particularly suitable for use in hard water areas.</p>	Rada 310R – 1.0.098.88.1
	<p>RADA VR SECURITY KIT Chrome</p> <p>Concealed mounting plate for use with Rada VR105 for higher level of vandal resistance.</p>	Rada VR Security Kit – 5.936.94.1.0
	<p>RADA AD35 NIPPLE</p> <p>1/2" BSP extended connection nipple.</p>	<p>Rada AD35 Nipple 250mm - 1.555.74.2.0</p> <p>Rada AD35 Nipple 200mm - 1.1531.049</p>
	<p>RADA RAC ACCESSORY</p> <p>Comprising right angled connector elbow. Converts Rada EV Shower Fittings into BIV (built-in).</p>	Rada RAC Accessory – 1.1642.014

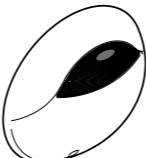
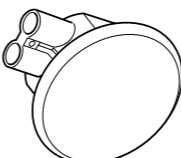
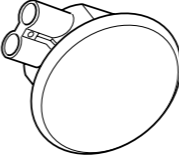
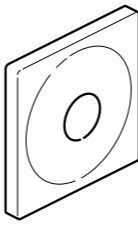
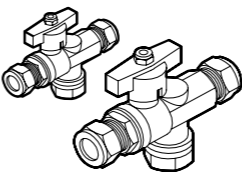
ACCESSORIES

PRODUCT IMAGE	PRODUCT INFORMATION	PRODUCT CODE
	<p>RADA THERMOTAP-3 LONG LEVER UPGRADE KIT</p> <p>Conversion kit to turn old style Thermotap bodies into 150mm long lever versions.</p>	Rada Long Lever Upgrade Kit Thermotap – 1.1555.019
	<p>RADA V10 RIGID RISER ACCESSORY</p> <p>Designed to connect the Rada V10 Exposed Shower valve to either the Rada VR145 or RadaVR2-ES Shower Heads.</p>	Rada V10 Rigid Riser Accessory 1.1651.020
	<p>RADA RISER PIPE</p> <p>For use in conjunction with Rada VR125/VR145.</p>	Rada Riser Pipe – 5.936.03.1.0
	<p>RADA OUTLOOK OUTLET BY-PASS ADAPTOR</p> <p>To channel an unused outlet to an open outlet. Useful when there are less than six outlets utilised. Eliminates water 'dead spots' where bacteria can spread.</p>	Rada Outlook By-pass Adaptor 1.1621.115
	<p>RADA OUTLOOK RS485 SOCKET</p> <p>RS485 cable to connect the RS485 Converter to a Sensor Box within a network. The network is then accessible via laptop/PC at that point.</p>	Rada Outlook RS485 Socket 1.1621.116

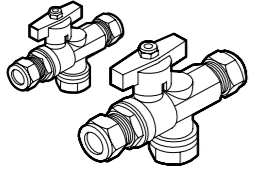
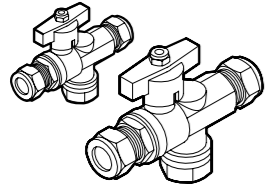
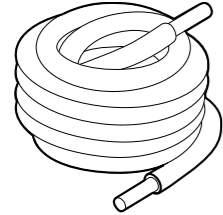
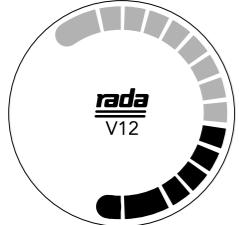
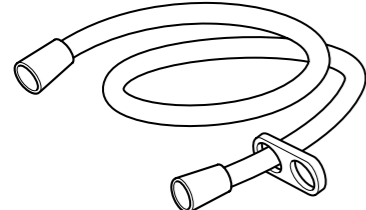
ACCESSORIES

PRODUCT IMAGE	PRODUCT INFORMATION	PRODUCT CODE
	RADA SV1015 12V (BETA) 1/2" solenoid valve with 15mm compression connections and ball valve (12V).	Rada SV1015 12v (BETA) 1.1495.002
	RADA SV1015 12V (MULLER) 1/2" solenoid valve with 15mm compression connections and ball valve.	Rada SV1015 12v (MULLER) 1.1495.062
	RADA PULSE 120 – SHOWERING AND HAND WASHING Chrome Surface mounted infra-red sensor no-touch operation.	Rada Pulse 120 sensor – 2.1.093.87.1
	RADA PULSE 129 (900EKA) –SHOWERING AND HAND WASHING Chrome Surface mounted infra-red sensor no-touch operation.	Rada Pulse 129 (900EKA) Showering and Hand Washing – 2.1.094.55.1
	RADA PULSE 124 – SINGLE WASH BASIN Chrome Ceiling mounted no-touch passive infra-red sensor.	Rada Pulse 124 Single Washbasin 2.1.093.89.2

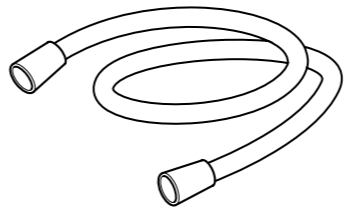
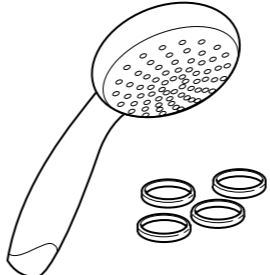
ACCESSORIES

PRODUCT IMAGE	PRODUCT INFORMATION	PRODUCT CODE
	RADA PULSE 122 – SINGLE URINAL Chrome Surface mounted infra-red sensor no-touch operation.	Rada Pulse 122 Single Urinal 2.1.093.88.1
	RADA PULSE 125 – SINGLE URINAL White Ceiling mounted no-touch passive infra-red sensor.	Rada Pulse 125 Single Urinal 2.1.093.90.2
	RADA PULSE 126 – GROUP URINAL White Ceiling mounted no-touch passive infra-red sensor.	Rada Pulse 126 GROUP Urinal 2.1.093.91.2
	RADA LR SENSOR Chrome Ligature resistant active infra-red sensor.	Rada LR Sensor – 1.1640.003
	RADA MEYNELL 15MM ISOLATING STRAINER UNITS Nickel Plate 15mm isolating strainer units supplied in pairs with blue and red lever controls.	Rada Meynell 15mm Isolating Strainer Units – SPVE0018J

ACCESSORIES

PRODUCT IMAGE	PRODUCT INFORMATION	PRODUCT CODE
	<p>RADA MEYNELL 22MM ISOLATING STRAINER UNITS Nickel Plate</p> <p>22mm isolating strainer units supplied in pairs with blue and red lever controls.</p>	Rada Meynell 22mm Isolating Strainer Units – SPVE0017J
	<p>RADA MEYNELL 15MM ISOLATING STRAINER UNITS WITH CHECK VALVES Nickel Plate</p> <p>15mm isolating strainer units with check valves supplied in pairs with blue and red lever controls.</p>	Rada Meynell 15mm Isolating Strainer Units With Check Valves SPVE0016J
	<p>3.0M CABLE ACCESSORY KIT</p> <p>Length of cable to be used with Rada Pulse sensor, supplied coiled with 2 pcs. cable connectors.</p>	Rada 3.0m Cable Accessory Kit 1.1495.117
	<p>V12 TEMPERATURE INDICATOR TRIM</p> <p>Indicator Trim with Enhanced Temperature Graphics.</p>	Rada V12 Indicator Trim – 1.1651.175
	<p>SMOOTH HOSE/RING</p> <p>1.25m CAT 5 Hose/Ring.</p>	Rada SF1 40 Hose/Ring – 19027-NA

ACCESSORIES

PRODUCT IMAGE	PRODUCT INFORMATION	PRODUCT CODE
	<p>SMOOTH HOSES</p> <p>1.25m (SF1 50) or 1.5m (SF1 55) smooth hoses.</p>	Rada SF1 50 Hose 1.25m – 76125-NA Rada SF1 55 Hose 1.5m – 76126-NA
	<p>SINGLE MODE HANDSET & COLOURED RINGS</p> <p>Single mode shower handset & coloured rings.</p>	Rada SF1 60 SM Handset – 77322-CP Rada SF1 65 Coloured rings – 78156-NA

MIRA PRODUCTS

Founded in 1921, UK based Mira Showers created the world's first thermostatic shower valve and has been leading the way ever since. Part of Kohler Company, a family-owned, global business with over 30,000 associates across six continents, Mira Showers is the UK's leading showering manufacturer, employing over 700 associates across the UK. Mira Showers has seen huge growth since it was founded, but it's dedication to design, innovation and commitment to its people and community, remains the same. With over 100 years of experience and passion, it continues to create innovative, solution-led products to meet the needs of our specification customers, as well as benefiting the planet.

In this section we provide an insight into Mira's range of products. They are typically designed for domestic use, so please seek advice before specifying these products for commercial purposes.

MIRA SPORT THERMOSTATIC ELECTRIC SHOWER

PRODUCT IMAGE



DESCRIPTION

Our most popular electric shower – so beautiful and reliable that it's been one of the UK's favourite showers for over 30 years. Enjoy a more consistent shower performance thanks to thermostatic temperature stability, with new spray experiences from the multi-mode handset shower head. Designed with a host of Mira innovations to deliver long-lasting performance – and add a contemporary edge to any bathroom.

- Thermostatic temperature stability
- Separate power and temperature controls
- Optimised spray modes on the 120 mm handset
- Mira Sensi-flo™ technology to monitor flow rate
- Mira Clearscale™ anti-limescale technology
- Mira Opti-flo™ technology to optimise water flow

PRODUCT INFORMATION

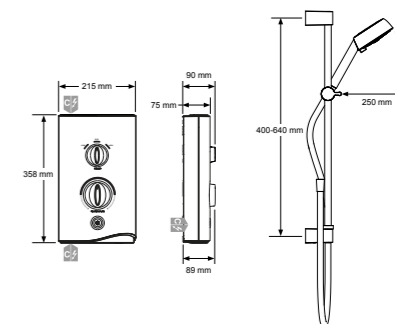
PRODUCT CODE

9.0 kW – 1.1746.831
9.8kW – 1.1746.832

WEB

www.mirashowers.co.uk/p/showers/shop-electric-showers/mira-sport-thermostatic-9-0-kw-electric-shower-11746831

DIMENSIONS (MM)



MIRA ADVANCE ELECTRIC SHOWER

PRODUCT IMAGE



DESCRIPTION

Mira Advance is thoughtfully designed to bring you safe and reliable thermostatically controlled showering. It's the easy to use, longer-lasting shower that's accredited by experts.

- Audio enhanced
- high contrast visuals on critical touchpoints
- Mira Clearscale Pro™ anti-limescale technology
- Please note this product was designed with a domestic application in mind

PRODUCT INFORMATION

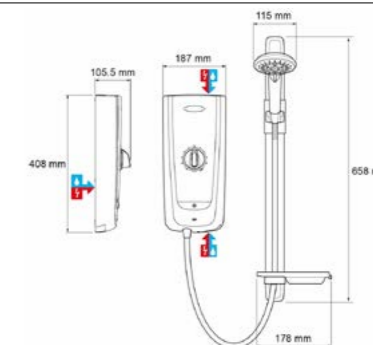
PRODUCT CODE

8.7kW – 1.1785.001
9.8kW – 1.1785.002

WEB

www.mirashowers.co.uk/showers/electric-showers/mira-advance/

DIMENSIONS (MM)



MIRA ADVANCE FLEX ELECTRIC SHOWER

PRODUCT IMAGE



PRODUCT INFORMATION

PRODUCT CODE

8.7kW – 1.1785.003
9.8kW – 1.1785.004

WEB

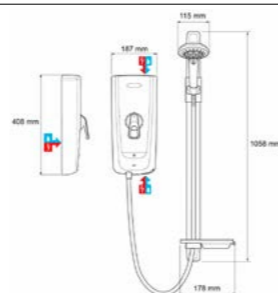
www.mirashowers.co.uk/showers/electric-showers/mira-advance/

DESCRIPTION

Mira Advance is thoughtfully designed to bring you safe and reliable thermostatically controlled showering. Easy to use, longer-lasting shower that's accredited by experts.

- Audio enhanced, high contrast visuals on critical touchpoints, and extra-long slide bar
- Mira Clearscale Pro™ anti-limescale technology
- Please note this product was designed with a domestic application in mind

DIMENSIONS (MM)



MIRA FLIGHT SAFE LOW RECTANGLE TRAY 1200X900

PRODUCT IMAGE



PRODUCT INFORMATION

PRODUCT CODE

1.1697.490.AS

WEB

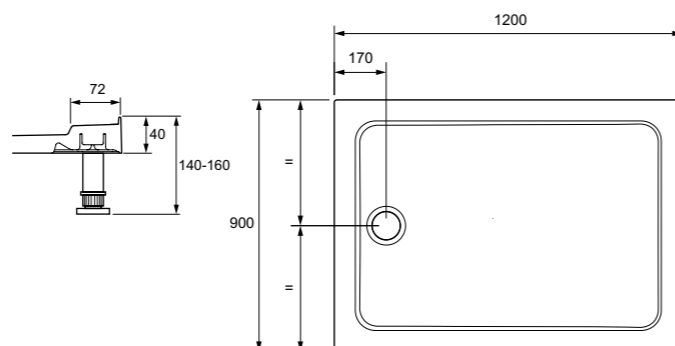
www.mirashowers.co.uk/shower-trays/mira-flight-safe-rectangle-1200-x-900-4-upstands

DESCRIPTION

Ultra slim and super safe, the Mira Flight Safe Rectangle shower tray is an anti-slip like no other. 1200x900mm option, with 4 upstands.

- BioCote® technology reduces bacteria and mould growth by 99.9%
- Made from strong acrylic capped resin stone, it's rigorously tested to prevent scratches, chips and discolouration
- Specifically designed to provide a high flow rate and incorporates enhanced features such as a hair catcher to ensure rapid drainage.
- Covered in our exclusive Mira Safe coating, this tray exceeds the most stringent independently anti-slip testing

DIMENSIONS (MM)



MIRA FLIGHT SQUARE TRAY 760X760

PRODUCT IMAGE



PRODUCT INFORMATION

PRODUCT CODE

1.1783.004.WH

WEB

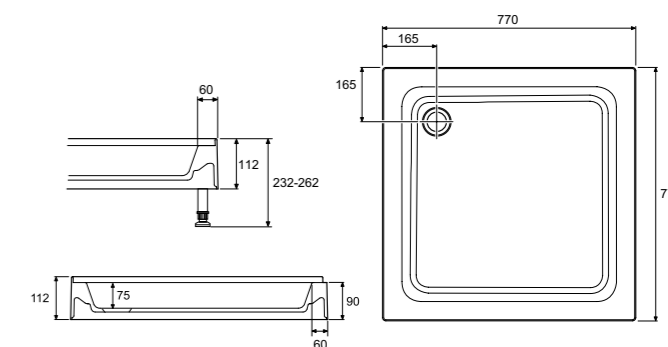
www.mirashowers.co.uk/shower-trays/mira-flight-square-760-x-760-4-upstands

DESCRIPTION

Tough, light and stylish, the Mira Flight Square shower tray includes BioCote® technology, proven to reduce bacteria by up to 99.9%. 760x760mm option.

- BioCote® technology reduces bacteria and mould growth by 99.9%
- Made from strong acrylic capped resin stone, it's rigorously tested to prevent scratches, chips and discolouration
- Walk-on waste (or plughole cover) add to the slimline, stylish finish

DIMENSIONS (MM)



MIRA FLIGHT 1700 RISER CONVERTER KIT

PRODUCT IMAGE



PRODUCT INFORMATION

PRODUCT CODE

1.1783.107.WH

WEB

www.mirashowers.co.uk/shower-trays/mira-flight-riser-conversion-kit-flush-fit-1700-rectangle

DESCRIPTION

Includes corner and end pieces, and simple clip-on fixings for a neat finish.

- Made from strong acrylic capped resin stone, it's rigorously tested to prevent scratches, chips and discolouration
- Simple clip-on fixings
- Panel height: 100mm
- Robust adjustable push-fit riser legs

MIRA FLIGHT 1200X2010 WALL PANEL

PRODUCT IMAGE



PRODUCT INFORMATION

PRODUCT CODE

1.1669.102.WH

WEB

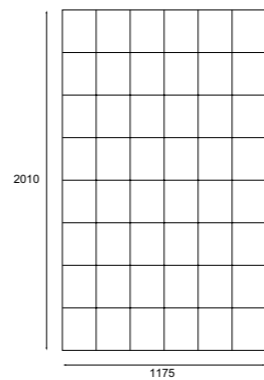
www.mirashowers.co.uk/wall-panels/mira-flight-wall-1200-full-height-wall-panel

DESCRIPTION

The hassle-free alternative to tiling, Mira Flight Wall Panels perfectly complement Mira enclosures and shower trays. 1200mm Full Height Wall Panel.

- BioCote® technology reduces bacteria and mould growth by 99.9%
- Made from strong acrylic capped resin stone, it's rigorously tested to prevent scratches, chips and discolouration
- It's durable material is simple to cut, making it easy to create a shape to your space

DIMENSIONS (MM)



MIRA ELEVATE BIFOLD DOOR 1000

PRODUCT IMAGE



PRODUCT INFORMATION

PRODUCT CODE

2.1814.008

WEB

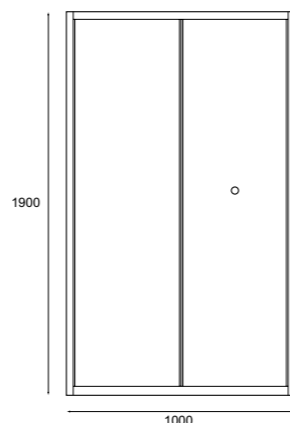
www.mirashowers.co.uk/shower-enclosures/bi-fold/mira-elevate-bi-fold-door-1000mm

DESCRIPTION

This inward opening enclosure door maximises your bathroom space. 1000mm option.

- 4mm toughened safety glass that comes with a 10 year guarantee.
- This inward opening enclosure door maximises your bathroom space. 1000mm option
- Height from top of the tray: 1900mm
- Planet Gear hinges maintain alignment
- 25mm adjustment for uneven walls
- For alcove or corner installations

DIMENSIONS (MM)



MIRA ELEVATE SLIDER 1400

PRODUCT IMAGE



PRODUCT INFORMATION

PRODUCT CODE

2.1814.012

WEB

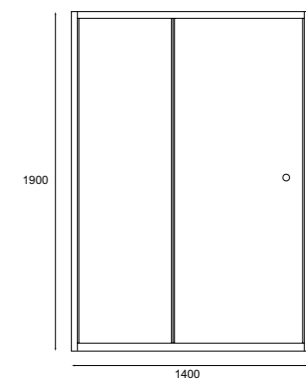
www.mirashowers.co.uk/shower-enclosures/sliding/mira-elevate-sliding-door-1400mm

DESCRIPTION

Create a statement in your bathroom by maximising floor space with the Mira Elevate Sliding Door.

- Magnetic closing at the top and bottom of the door provides a water tight seal to prevent water escaping the shower area
- 6mm toughened safety glass that comes with a 10 year guarantee
- 25mm adjustment for uneven walls
- For alcove or corner installations

DIMENSIONS (MM)



MIRA ELEVATE PIVOT DOOR 760

PRODUCT IMAGE



PRODUCT INFORMATION

PRODUCT CODE

2.1814.001

WEB

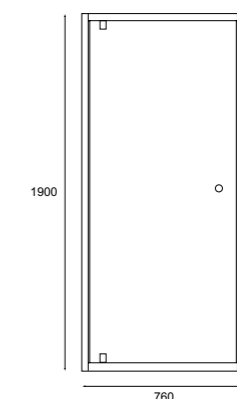
www.mirashowers.co.uk/shower-enclosures/pivot/mira-elevate-pivot-door-760mm

DESCRIPTION

Simply pivoting on discreet hinges, the Mira Elevate Pivot Door creates a space-saving solution for your bathroom.

- 6mm toughened safety glass that comes with a 10 year guarantee for added peace of mind
- Magnetic closing at the top and bottom of the door provides a water tight seal to prevent water escaping the shower area
- Height from top of the tray: 1900mm
- 25mm adjustment for uneven walls
- For alcove or corner installations

DIMENSIONS (MM)



MIRA EVOLVE BASIN PILLAR TAPS

PRODUCT IMAGE



DESCRIPTION

Basin Pillar Taps created in pure geometric style with a contemporary twist

- Integrated flow straightener for ease of cleaning
- Genuine performance even at low pressure
- KIWA UK Approved



PRODUCT INFORMATION

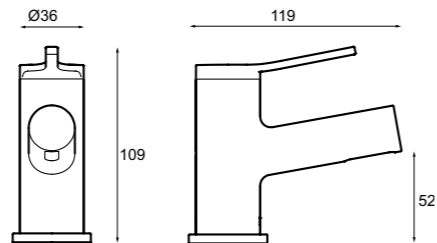
PRODUCT CODE

2.1816.002

WEB

www.mirashowers.co.uk/taps/mira-evolve-basin-pillar-taps

DIMENSIONS (MM)



MIRA COMFORT BASIN PILLAR TAPS

PRODUCT IMAGE



DESCRIPTION

Basin Pillar Taps created in pure geometric style with a contemporary twist.

- Integrated flow straightener for ease of cleaning
- Genuine performance even at low pressure
- KIWA UK Approved



PRODUCT INFORMATION

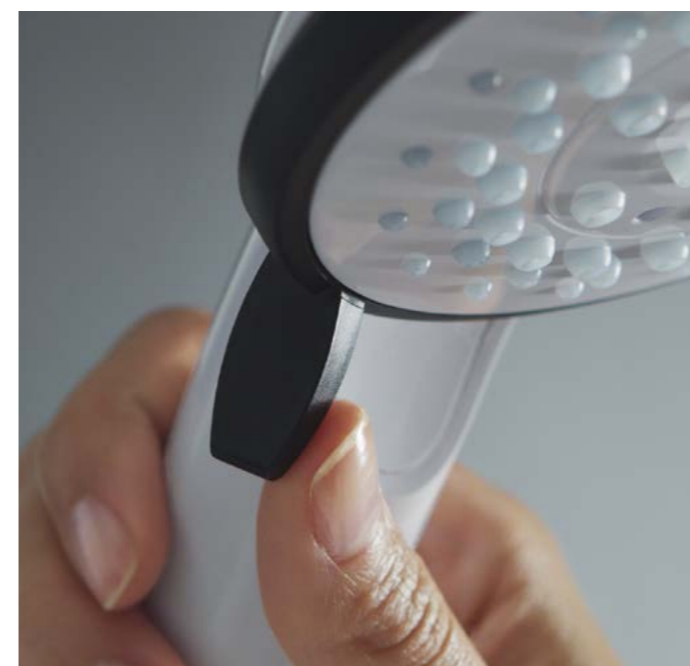
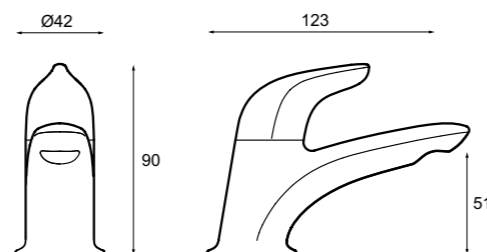
PRODUCT CODE

2.1818.002

WEB

www.mirashowers.co.uk/taps/mira-comfort-basin-pillar-taps

DIMENSIONS (MM)



RADA PRODUCT INDEX

PRODUCT	PAGE	PRODUCT	PAGE
Rada 120 Mono-Control System	91	Rada Outlook Outlet By-Pass Adaptor	141
Rada 122 Mono-Control System	94	Rada Outlook Panel Mounted IR Spouts	25
Rada 124 Mono-Control System	93	Rada Outlook Piezo Hand Sensor	25
Rada 125 Mono-Control System	95	Rada Outlook RS485 Socket	141
Rada 126 Mono-Control System	96	Rada PA – 15TF Shower Panel	44
Rada 129 Mono-Control System	92	Rada PA – 15TFW Shower Panel	44
Rada 215-T3 BC Therm. Mixing Valve	52	Rada PA – 215TF Shower Panel	45
Rada 215-T3 C Therm. Mixing Valve	51	Rada PA – 215TFW Shower Panel	45
Rada 215-T3 DK Therm. Mixing Valve	67	Rada PA – ETF Shower Panel	56
Rada 222-T3 DK	113	Rada PA – TF/TFW Shower Panel	55
Rada 3.0M Cable Accessory Kit	144	Rada PA – V8VR2 Shower Panel (Stain. Steel)	43
Rada 300R Adjustable Spray Cartridge	140	Rada PA – V8VR2W Shower Panel (White)	43
Rada 310R Hard Water Spray Cartridge	140	Rada Pulse 120 – Sh/Handwashing Chrome	142
Rada 320 IC	50	Rada Pulse 120 Operating System	103
Rada 425 IC	49	Rada Pulse 122 – Single Urinal Chrome	143
Rada AD35 Nipple	140	Rada Pulse 122 Operating System	106
Rada BSR-S/300 Shower Fitting	132	Rada Pulse 124 – Single Washbasin Chrome	142
Rada ER-S 310	127	Rada Pulse 124 Operating System	105
Rada EV Heavy Duty Shower Fittings	118	Rada Pulse 125 – Single Urinal White	143
Rada EV Shower Fittings	117	Rada Pulse 125 Operating System	107
Rada Exact-3 B Chrome	38	Rada Pulse 126 – Group Urinal White	143
Rada Exact-3	37	Rada Pulse 126 Operating System	108
Rada LR Head	119	Rada Pulse 129 – Shower/Handwash Chrome	142
Rada LR Sensor	143	Rada Pulse 129 Operating System	104
Rada Meynell 15/3 Therm. Mixing Valve	68	Rada Pulse Control Box	98
Rada Meynell 15mm Isolation/Strainer Units	143	Rada Pulse Hand Held Programmer	99
Rada Meynell 22mm Isolation/Strainer Unit	144	Rada Pulse Isolating Key Switch	100
Rada Meynell V8/3 B	40	Rada Pulse Operating Key Switch	101
Rada Meynell V8/3 BL	42	Rada Pulse Relay Box	102
Rada Meynell V8/3 K	53	Rada Rac Accessory	140
Rada Meynell V8/3 L	41	Rada Riser Pipe	141
Rada Meynell V8/3	39	Rada S.PA 1 Shower Panel (Silver)	54
Rada Outlook IR Sensor Unit	23	Rada S.PA 1 Shower Panel (White)	54

RADA PRODUCT INDEX

PRODUCT	PAGE
Rada Safetherm Basin Mount	64
Rada Safetherm Wall Mount	63
Rada Sense – Bath T3	21
Rada Sense – Bath/Shower T3	20
Rada Sense – Dual Shower T3	19
Rada Sense – Shower T3	17
Rada Sense – Washbasin T3	15
Rada Sense Networking Pack A (UK)	22
Rada Sense Networking Pack B (UK) – Basin	22
Rada Sense Networking Pack B (UK) – BSM	22
Rada Sense Networking Pack B (UK) – Shower	22
Rada Sense Networking Pack B (UK) – Sh/Sh	22
Rada Sense Shower Kit T3	18
Rada Sense Washbasin Kit T3	16
Rada SF1 10 BIV	134
Rada SF1 10 EV	133
Rada SF1 20 BIV	136
Rada SF1 20 EV	135
Rada SH1 UK	137
Rada SH13 Chrome	128
Rada SH13 Spray Head White	129
Rada SH15 Chrome	130
Rada SH15 Spray Head White	131
Rada Single Mode Handset & Rings	145
Rada Smooth Hose Ring	144
Rada Smooth Hoses	145
Rada SP T150 Wall Mount Bath Spout – Short	114
Rada SP W150 Wall Mount Basin Spout	77
Rada SP W190 Wall Mount Basin Spout – Long	78
Rada SP WD100 Deck M. Basin Spout – Low	77
Rada SV1015 12V (BETA) Solenoid Valve	142
Rada SV1015 12V (MULLER) Solenoid Valve	142

PRESTO PRODUCT INDEX

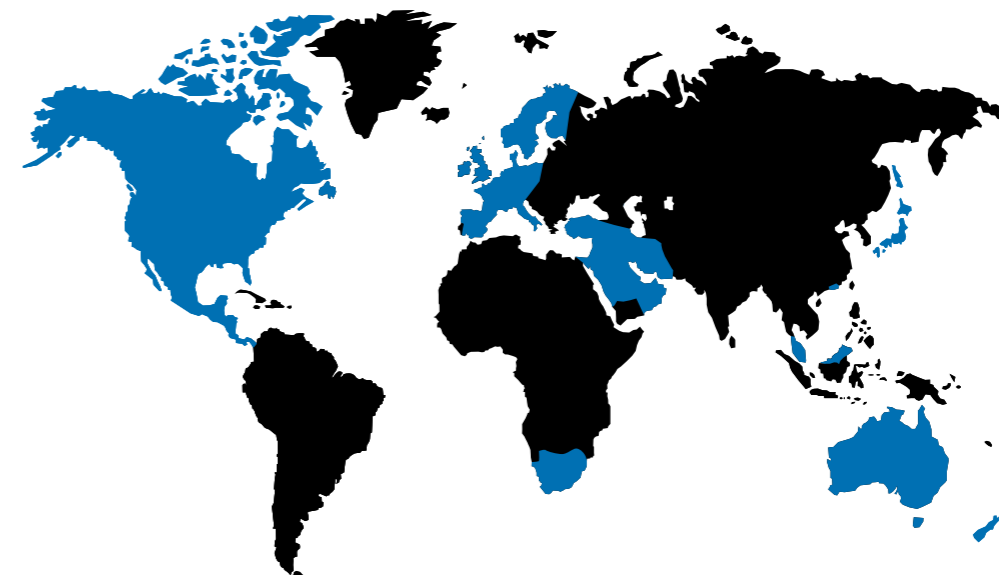
PRODUCT	PAGE	PRODUCT	PAGE
Presto TF Shower Panel	46	Presto Linea Soap Dispenser	89
Presto TF Shower Panel (Battery/Mains)	47	Presto Sensor Direct Flush Valve (Battery)	109
Presto Neo DM Sensor Tap (Battery/Mains)	79	Presto Sensor Direct Flush Valve (Mains)	110
Presto Neo WM Sensor Tap (Battery/Mains)	80	Presto Dual Brush Flush Plate	139
Presto Neo DM Sensor Tap TF (Battery/Mains)	81		
Presto Neo DM Tap Self Close 15s (Hot/Cold)	82		
Presto Neo DM Tap Self Close 7s (Hot/Cold)	83		
Presto Neo WM Tap Self Close 7s (Hot/Cold)	84		
Presto Neo WM Tap 15s (Hot/Cold)	85		
Presto Neo DM Mixer Tap	86		
Prestomat TF DM (Cold/Anti-block)	87		
Presto DM Mixer Tap	88		

MIRA PRODUCT INDEX

PRODUCT	PAGE	PRODUCT	PAGE
Mira Advance Electric Shower	147	Mira Evolve Basin Pillar Taps	152
Mira Advance Flex Electric Shower	148	Mira Flight 1200x2010 Wall Panel	150
Mira Comfort Basin Pillar Taps	152	Mira Flight 1700 Riser Converter Kit	149
Mira Elevate Bifold Door 1000	150	Mira Flight Safe Low Rect. Tray 1200x900	148
Mira Elevate Pivot Door 760	151	Mira Flight Square Tray 760x760	149
Mira Elevate Slider Door 1400	151		

RADA WORLDWIDE

Rada products are also available throughout the world via subsidiaries and international agents in the following countries:



Australia	Denmark	Italy	Poland	South Africa
Austria	Eire	Japan	Qatar	Spain
Bahrain	France	Kuwait	Oman	Sweden
Belgium	Finland	Malaysia	Saudi Arabia	Turkey
Canada	Germany	Netherlands	Seychelles	UK
Cyprus	Hong Kong	New Zealand	Singapore	UAE
Czech Republic	Israel	Norway	Slovakia	USA

If you would like to contact an international agent please find the details on our website www.radacontrols.com



Rada Controls

Kohler Mira Limited
Cromwell Road
Cheltenham
Gloucestershire
GL52 5EP

Telephone:

0344 571 1777

Email:

radacustomerservices@radacontrols.com

Web:

www.radacontrols.com

Linkedin:



Website:



Mira, Rada, Kohler and Meynell are registered trade marks of Kohler Mira Limited. The company reserves the right to alter product specification without notice. © November 2019 Kohler Mira Ltd. All rights reserved. No parts of this document, or any accompanying document, may be reproduced or transmitted in any form or by any means, including photocopying or electronically, without the permission of Kohler Mira Limited.

