

RADA T4 100 TIMED FLOW PILLAR TAP AND RADA T4 120 TIMED FLOW MIXER TAP

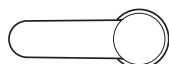
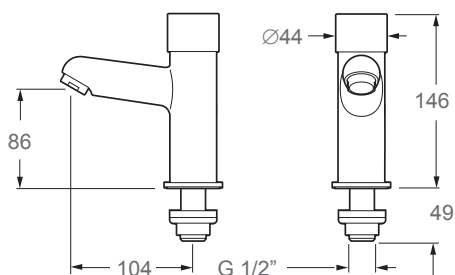


- WRAS Approved
- KIWA Approved
- Contemporary design
- Energy and water saving - adjustable flow and adjustable time
- Easy servicing - one piece cartridge
- Non-concussive action

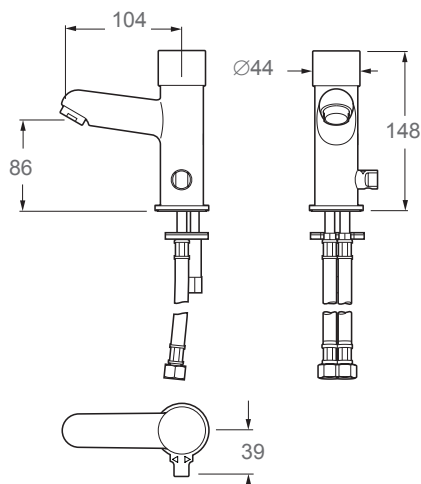


Dimensions (mm)

T4 100



T4 120



**Specify as: Rada T4 100 (2.1762.080 Hot), (2.1762.081 Cold)**  
Contemporary deck/basin mounted push button tap with adjustable flow rate and duration (5-20) seconds for use on basins or counter tops.

**Specify as: Rada T4 120 (2.1762.082)**  
Contemporary deck/basin mounted push button mixer tap with adjustable flow rate and duration (5-20) seconds for use on basins or counter tops.

**Kohler Mira Limited**  
Cromwell Road  
Cheltenham  
Gloucestershire  
GL52 5EP

**Specification Enquiries**  
Tel: 0844 571 1777  
Fax: 0844 472 3076  
Email: rada\_technical@mirashowers.com  
www.radacontrols.com



TECHNICAL SPECIFICATION

**Installation and Maintenance**

Please refer to the appropriate Product Manual.

**Connections**

T4 100:

Inlets: ½" BSP male parallel thread to BS2779, suitable for standard end feed tap connector.

T4 120:

Inlets: ½" BSP female union nuts at the end of flexible tails.

**Approvals**

WRAS listed (Water Regulations Advisory Scheme).

KIWA UK Approved.

Designed, manufactured and supported in accordance with accredited BS EN ISO 9001:2008 Quality Management Systems and BS EN ISO 14001:2004 Environmental Management Systems.

**Operation**

The taps can be adjusted to give a flow duration of between 5 and 20 seconds when the button is pressed and released.

The volume of flow can also be adjusted.

**Materials**

Body: Chrome plated brass.

Push Button: Chrome plated brass

**Temperature Range**

Maximum water temperature: 80°C.

**Note!** for safety reasons it is recommended that hot maximum temperature used for hand washing be pre-set at 40°C using a Rada/ Meynell Thermostatic Mixing Valve. Please contact Specification Enquiries for advice.

**Pressures**

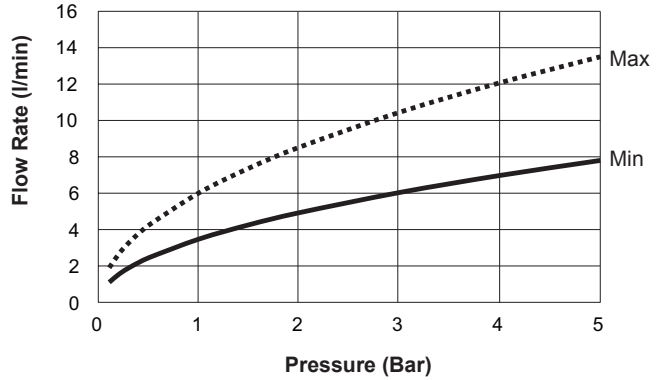
Minimum Operational Pressure: T4 100, T4 120: **1.0 Bar**

Maximum Operational Pressure: T4 100, T4 120: **5.0 Bar**

Maximum static pressure: **10 Bar**

**Flow Diagram**

**T4 100**



**T4 120**

