

## RADA BSR-S/300 SHOWER FITTING

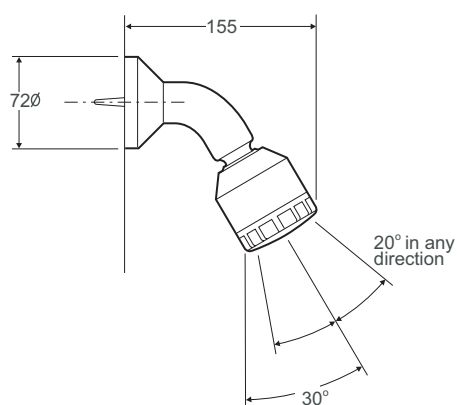
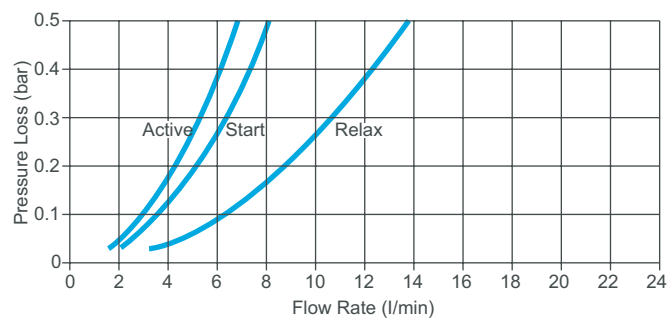
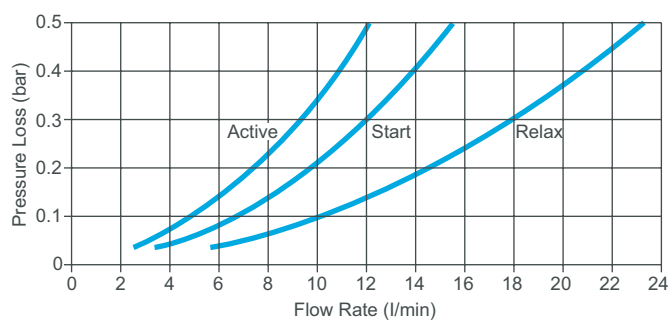


- Durable polished chrome finish
- Copper alloy rigid shower arm
- Chrome plated flexible shower head
- Variable spray pattern
- ½" BSP male nipple for concealed pipework connections

**Specify as: Rada bsr-s/300 Shower Fitting (1.0.108.044.1)**

Rigid shower fitting featuring a swivel shower head and ½" BSP nipple for connection to concealed pipework.

**Note!** Refer to 'Accessories' section for additional spray cartridges.

**Dimensions (mm)****Flow Diagram (low capacity spray plates)****Flow Diagram (high capacity spray plates)**

**Kohler Mira Limited**  
Cromwell Road  
Cheltenham  
Gloucestershire  
GL52 5EP

**Specification Enquiries**  
Tel: 0844 571 1777  
Fax: 0844 472 3076  
Email: rada\_technical@mirashowers.com  
www.radacontrols.com

**rada**

## TECHNICAL SPECIFICATION

### Installation and Maintenance

Please refer to the appropriate Product Manual.

### Accessories

#### **300R Adjustable Spray Cartridge (1.0.098.87.1)**

With 'Start', 'Active' and 'Relax' modes (chrome finish).

#### **310R Hard Water Spray Cartridge (1.0.098.88.1)**

Self-draining with 'push-clean' action (chrome finish).

#### **400R High Performance Spray Cartridge (1.0.098.89.1)**

With 'Start', 'Pulsate' and 'Champagne' modes (white finish).

Minimum pressure 0.5 bar. Requires removal of the flow regulator.

### Connections

Supplied with ½" BSP parallel nipple for connection to concealed pipework.

### Approvals

Designed, manufactured and supported in accordance with accredited BS EN ISO 9001:2008 Quality Management Systems and BS EN ISO 14001:2004 Environmental Management Systems.

### Operation

The bsr-s/300 has a rigid shower arm with a swivel shower head.

The user is able to adjust the position of the shower head through an angle of 20° in any direction from the central position.

### Materials

Shower arm: Chrome plated copper alloy

Shower head: Engineering plastic, chrome plated.

**Kohler Mira Limited**  
Cromwell Road, Cheltenham  
Gloucestershire, GL52 5EP

**Specification Enquiries**  
Tel: 0844 571 1777, Fax: 0844 472 3076  
Email: rada\_technical@mirashowers.com  
www.radacontrols.com

**Rada is a registered trademark of Kohler Mira Limited.**

The company reserves the right to alter product specification without notice.  
© January 2012 Kohler Mira Limited. All rights reserved.  
No part of this document, or any accompanying document, may be reproduced or transmitted in any form or by any means, including photocopying or electronically, without the permission of Kohler Mira Limited.

A **KOHLER** COMPANY



FM 14648

