

RADA TL 100 LEVER OPERATED TIMED FLOW TAP AND RADA TL 195 KNEE OPERATED TIMED FLOW TAP

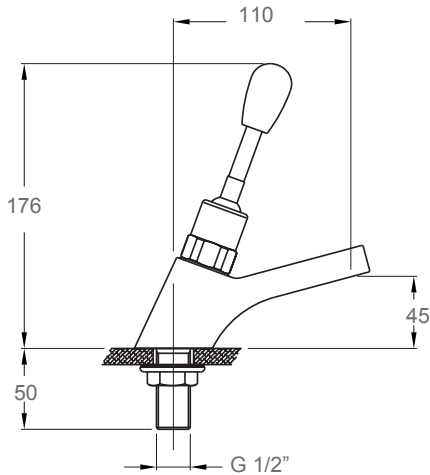


- WRAS Approved
- KIWA Approved
- Robust design
- Lever control and fits standard washbasins and tap holes (TL 100)
- Vandal resistant non-removable flow straightener (TL 100)
- Energy and water saving - adjustable flow
- Easy servicing - one piece cartridge
- Non-concussive action



Dimensions (mm)

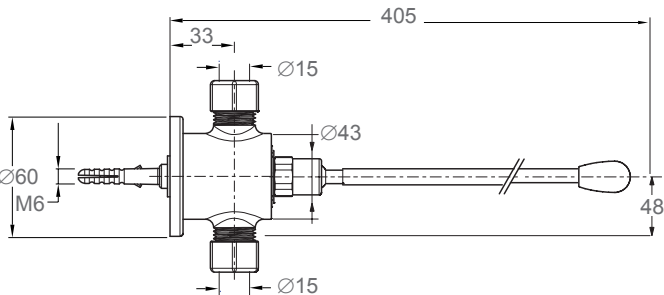
TL100



Specify as: Rada TL 100 (2.1762.085)

Lever operated basin mounted tap with 12 (±3) second time flow for use on basins or counter tops.

TL195



Specify as: Rada TL 195 (2.1762.094)

Knee operated time flow control for use under basins where there is a requirement to avoid hand control with 12 (±3) second time flow.

**Kohler Mira Limited**  
 Cromwell Road  
 Cheltenham  
 Gloucestershire  
 GL52 5EP

**Specification Enquiries**  
 Tel: 0844 571 1777  
 Fax: 0844 472 3076  
 Email: rada\_technical@mirashowers.com  
 www.radacontrols.com



TECHNICAL SPECIFICATION

**Installation and Maintenance**

Please refer to the appropriate Product Manual.

**Connections**

TL 100 Inlets: 1/2" BSP male parallel thread.  
 TL 195 Inlet: 15 mm compression.  
 Outlet: 15 mm compression.

**Approvals**

WRAS listed (Water Regulations Advisory Scheme).  
 KIWA UK Approved.  
 Designed, manufactured and supported in accordance with accredited BS EN ISO 9001:2008 Quality Management Systems and BS EN ISO 14001:2004 Environmental Management Systems.

**Operation**

The taps are designed to give approximately 12 (+/- 3) seconds of flow duration when the button is pressed and released.  
 The lever on the TL 195 can be deflected in any direction to activate flow.

**Materials**

Body: Chrome plated brass.  
 TL 195 Lever: Extruded nylon.

**Temperature Range**

Maximum water temperature: 80°C.  
**Note!** for safety reasons it is recommended that hot maximum temperature used for hand washing be pre-set at 40°C using a Rada/ Meynell Thermostatic Mixing Valve. Please contact Specification Enquiries for advice.

**Pressures**

Minimum Operational Pressure: **0.2 Bar**  
 Maximum Operational Pressure: **5 Bar**  
 Maximum static pressure: **10 Bar**

The internal time flow cartridge provides a choice of 5 flow settings to give the most economical flow rate over the pressure range available.  
**Note!** The cartridge is set in the mid-restriction position.

**Flow**

