

RADA OUTLOOK

ULTIMATE WASHROOM CONTROL TECHNOLOGY





WHAT RADA OUTLOOK OFFERS

Flexibility

Configure your Rada Outlook system to meet your exact needs. Select from a choice or combination of three wall mounted activation sensors, which include a non-touch or touch sensors or non-touch spout. Each outlet can then be fed to either a Rada showerhead or Rada basin spout, depending on washroom design.

Simplicity

Rada Outlook is supplied with pre-configured settings for immediate 'plug and play' operation. These are quickly and easily tailored to suit your requirements.

L8 Compliance

Automatic duty flushing, supervised thermal disinfection and downloadable system data all help meet the requirements of legionella control legislation.

Sustainability

Saving energy and water is a critical priority for businesses and organisations of every kind. Outlook allows easy monitoring and control to reduce water and energy consumption.

Ease of installation

A minimum number of components, integrated solenoid valves and simple, flexible programming make Outlook quick and easy to fit and maintain.

Integration with BMS networks

Link Rada Outlook to a wider Building Management System by making Modbus data available to system administrators.

OVERVIEW

RADA OUTLOOK IS A 6 OUTLET DIGITAL THERMOSTATIC MIXING VALVE SYSTEM ENABLING PRECISE WATER MANAGEMENT ACROSS ANY CONFIGURATION OF SHOWERING AND HANDWASHING CONTROLS.

Digitally controlled valve for up to 6 showers / taps

Programmable water temperature and flow times

Automatic duty flushing / Supervised thermal disinfection

Data download for L8 compliance

Connect to a BMS for building – wide washroom management (Modbus Protocol)



Data Download for L8 Compliance



INTELLIGENT UP TO 6 OUTLET DIGITAL THERMOSTATIC MIXING VALVE FOR SHOWERING AND WASHROOM SOLUTIONS

FEATURES AND BENEFITS

Programmed Performance

Because every washroom has its own specific requirements, Rada Outlook's programmable system allows users to create a bespoke configuration to meet individual site preferences.

Water Management

BREEAM standards for building sustainability set strict requirements for reduced water and energy consumption. When used in conjunction with VR Shower heads and flow regulators, Rada Outlook helps meet those requirements while preserving important water resources and reducing overall costs.

Safe. Precise. Hygienic.

Whatever the environment, washroom managers have a duty to ensure safety and hygiene under a growing body of regulations. Rada Outlook's programmable duty flushing, temperature control and manual thermal disinfection provide compliance and complete peace of mind.

T-logic™ Digital Intelligence

Rada's intelligent water and temperature control system allows the user to:

- Manage and record every aspect of water usage
- Operate, communicate and exchange information with the digital mixing valve
- Use a range of programmable features such as duty flushing, thermal disinfection, temperature logging, routine water usage information and valve programming

Fully programmable system

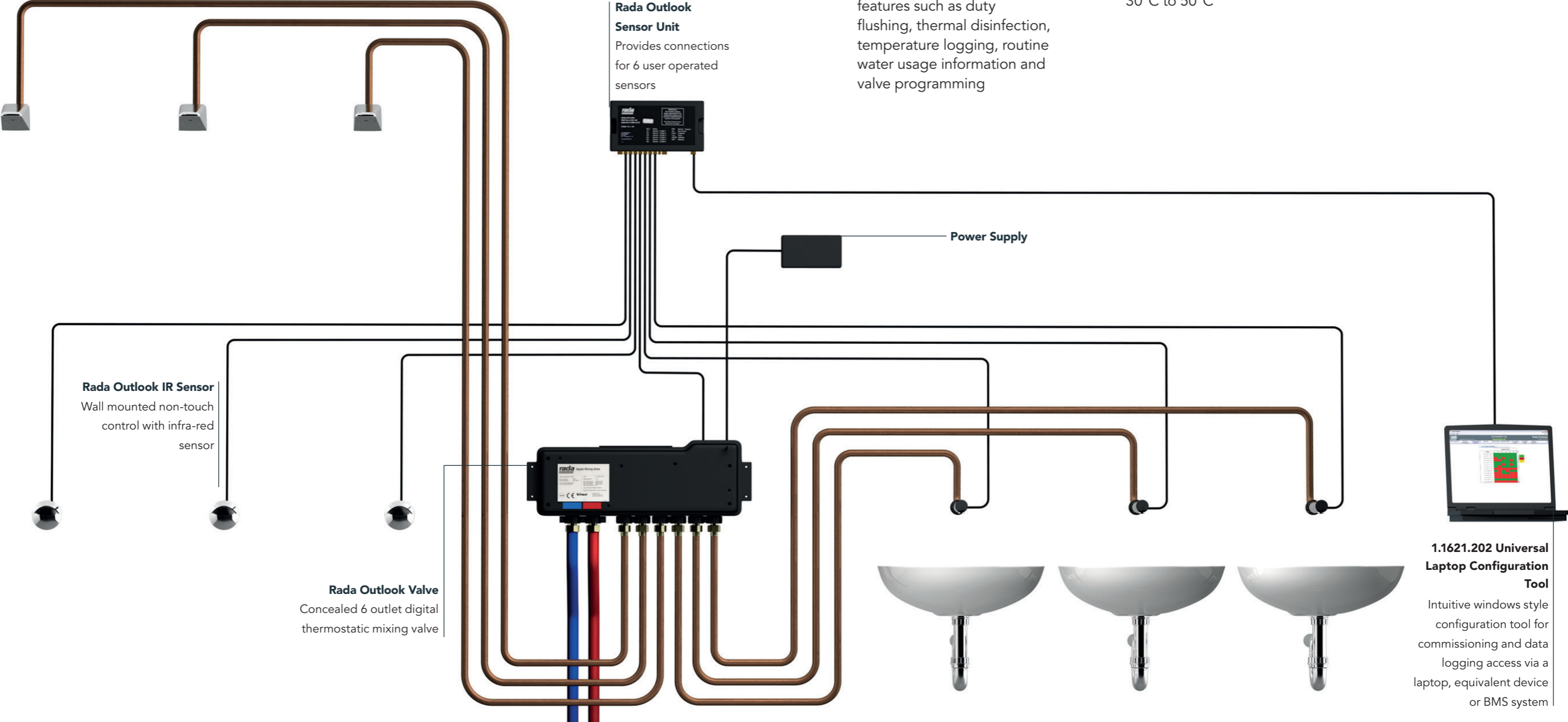
Rada Outlook's simple PC configuration tool allows complete control of all functions and parameters:

- Duty flush cycles from 1 minute to 59 minutes
- Flow times between 5 seconds and 59 minutes
- Water temperature range from 30°C to 50°C

Data storage and download

Rada Outlook stores up to 12 months of data and reporting:

- Download via laptop, PC or equivalent device
- Download the latest thermal disinfection data
- Duty flush reporting
- Usage history record



1.1621.202 Universal Laptop Configuration Tool

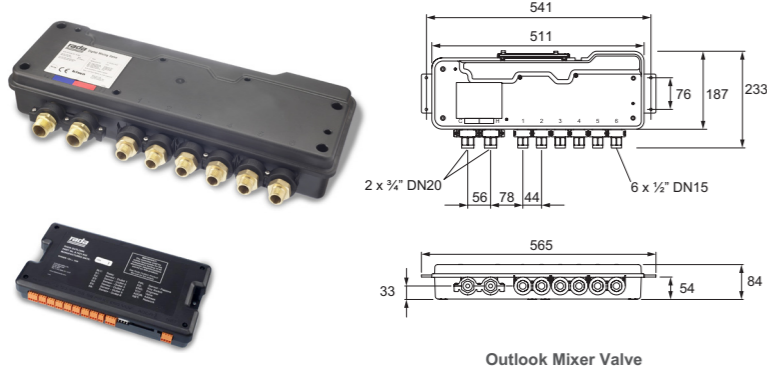
Intuitive windows style configuration tool for commissioning and data logging access via a laptop, equivalent device or BMS system

RADA OUTLOOK SYSTEM COMPONENTS



RADA OUTLOOK - PRODUCT CODE 1.1621.099

Concealed digital thermostatic mixing valve and Sensor box for washbasin and/or shower, offering programmable maximum, minimum and default temperatures, duty flush, supervised thermal disinfection and performs event data logging. Includes power supply, check valves and strainers.



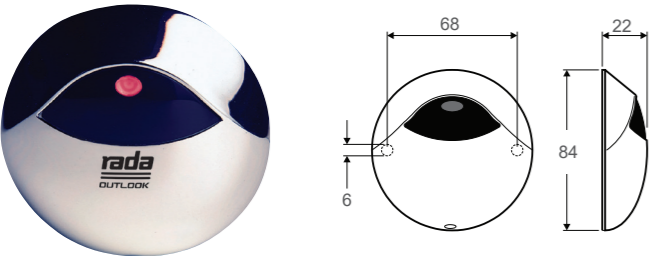
RADA UNIVERSAL LAPTOP CONFIGURATION TOOL - PRODUCT CODE 1.1621.202

Intuitive windows style Configuration tool for commissioning and data logging access via a laptop, equivalent device or BMS system.

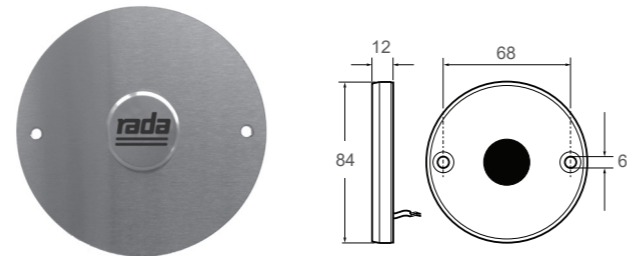


REQUIRED ITEMS

RADA OUTLOOK IR SENSOR PRODUCT CODE 1.1621.112

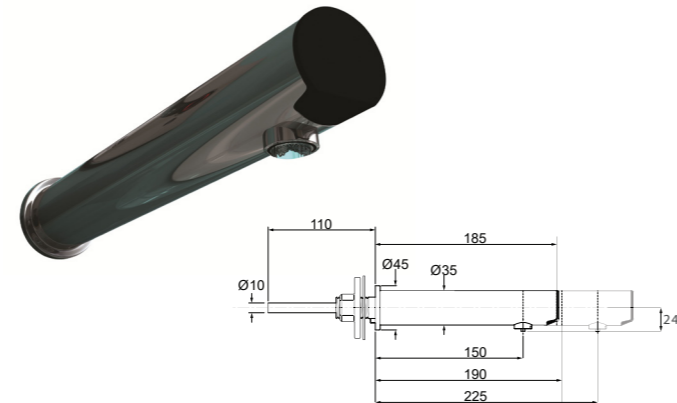


RADA OUTLOOK PIEZO HAND SENSOR PRODUCT CODE 1.1621.085



RADA OUTLOOK IR SENSOR 10M CABLE (UK) PRODUCT CODE 1.1621.228

RADA OUTLOOK PANEL MOUNTED IR SPOUT PRODUCT CODE 1.1621.136 (150mm) 1.1621.132 (190mm) 1.1621.137 (225mm)



OPTIONAL ITEMS

RADA OUTLOOK OUTLET BY-PASS ADAPTOR PRODUCT CODE 1.1621.115



RADA OUTLOOK RS485 SOCKET PRODUCT CODE 1.1621.116



RADA ISOLATING KEY SWITCH PRODUCT CODE 2.1495.080



RADA RELAY BOX PRODUCT CODE 2.1495.044



RADA PROXIMITY SENSOR PRODUCT CODE 2.1931.315



UK RADA GUARANTEE

When you choose Rada, you can be sure of getting the level of service you'd expect from the global experts in shower and washroom controls, which is why we now offer an extended guarantee option when you choose to have your product commissioned by our maintenance professionals.

Your product has the benefit of our manufacturer's 2 year guarantee which commences from the date of purchase. In the case where the product commissioning has been conducted by the UK Rada Service Team the product guarantee period will be 5 years commencing from the date of commissioning.



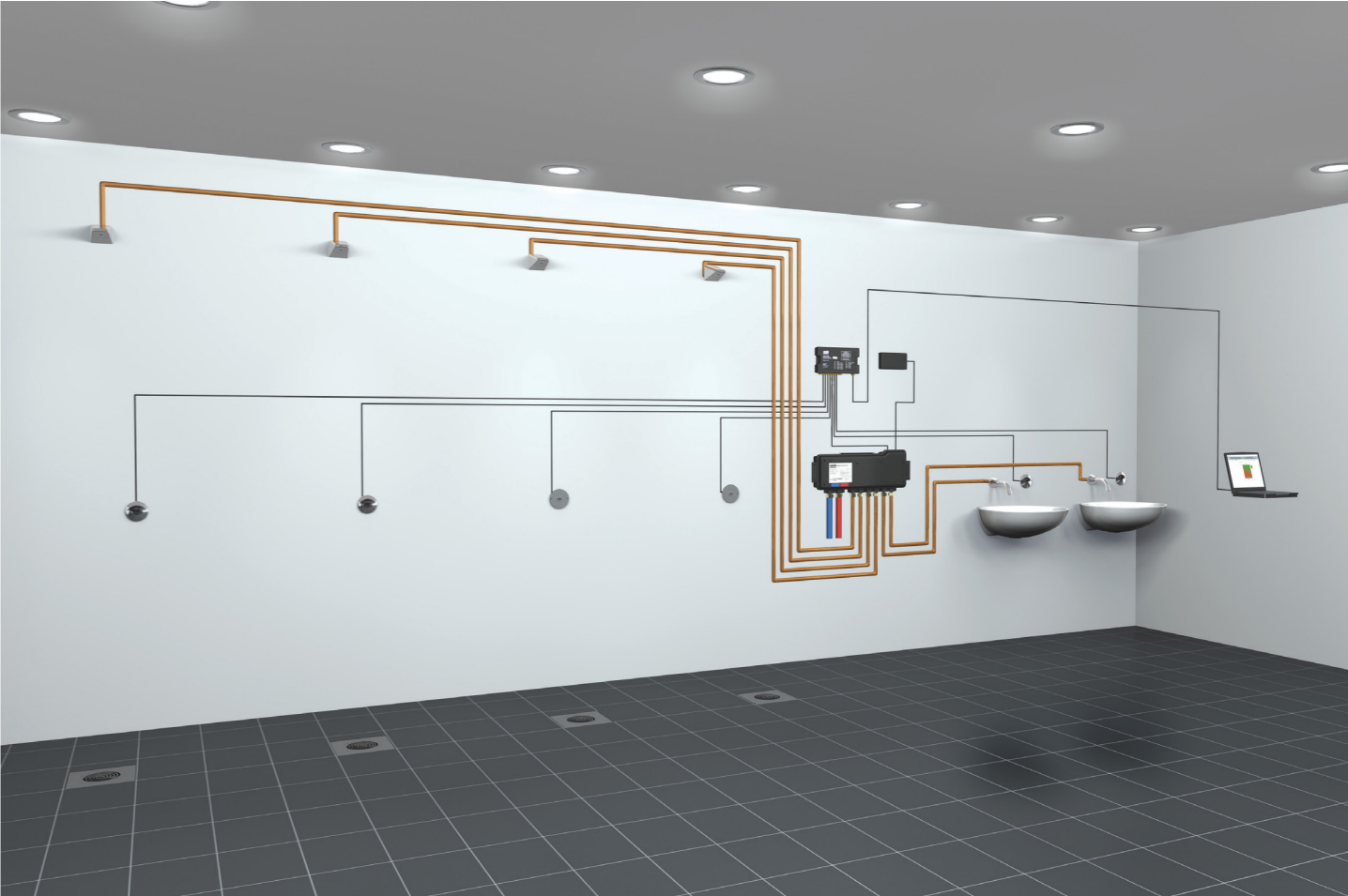
This extension guarantee will complement our Specialist Service Packages, part of an enhanced Rada service provision. Rada has a trained team of national service and maintenance professionals to ensure the smooth running of its taps, showers, washroom controls and integrated systems. Rada's service team are able to offer both ongoing maintenance and rapid repairs, minimising the risk of breakdowns, safeguarding end users and offering peace of mind for your facilities managers.



This guarantee is in addition to your statutory rights and is subject to the following conditions:

- 1. The product must be installed and maintained in accordance with the instructions given in the relevant installation and user guide.
- 2. Servicing must only be undertaken by our appointed representative. Please note that if a service visit is required the product must be fully installed and connected to services.
- 3. The company reserves the right to alter product specifications without notice.
- 4. For shower fittings or consumables we reserve the right to supply replacement parts only.

For full terms & conditions please refer to your product's Installation & User Guide.



THE RADA WAY

Rada has been at the forefront of designing and manufacturing water controls and washroom products across a range of sectors for the commercial buildings market for more than 80 years. It believes people should use taps, showers and water outlets designed to keep users safe, prevent waterborne infections and conserve resources.

It's uncompromising in its approach to reimagining the way its products are designed, made, installed and serviced.

Rada - A Kohler Company

Kohler brings together a number of market leading bathroom and shower brands including Rada, Kohler UK and Mira Showers. If you'd like to know more, please visit www.kohlermira.co.uk

Rada - A Kohler Company

T +44 (0) 344 571 1777

T +44 (0) 1242 282527

E rada_technical@mirashowers.com

www.radacontrols.com



A **KOHLER** COMPANY