

## RADA T4 105 TIMED FLOW PILLAR TAP AND RADA T4 125 TIMED FLOW MIXER TAP

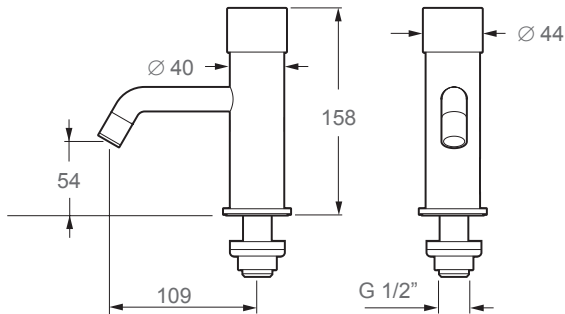


- WRAS Approved
- KIWA Approved
- Contemporary design
- Energy and water saving - adjustable flow and adjustable time
- Easy servicing - one piece cartridge
- Non-concussive action
- Fits standard washbasin and tap holes



### Dimensions (mm)

#### T4 105



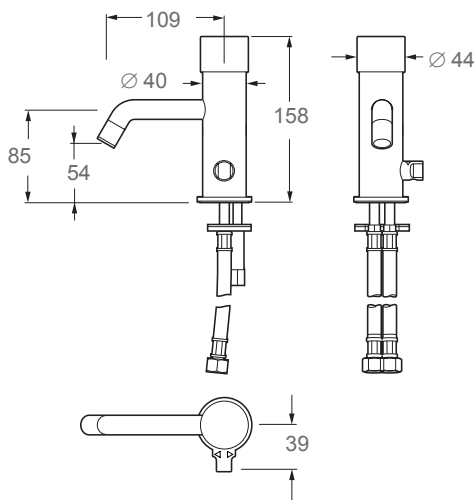
#### Specify as: Rada T4 105 (2.1762.077 Hot), (2.1762.078 Cold)

Contemporary deck/basin mounted push button tap with adjustable flow rate and duration (5-20 seconds) for use on basins or counter tops.

#### Specify as: Rada T4 125 (2.1762.079)

Contemporary deck/basin mounted push button tap with adjustable flow rate and duration (5-20 seconds) for use on basins or counter tops.

#### T4 125



#### Kohler Mira Limited

Cromwell Road  
Cheltenham  
Gloucestershire  
GL52 5EP

#### Specification Enquiries

Tel: 0844 571 1777  
Fax: 0844 472 3076  
Email: rada\_technical@mirashowers.com  
www.radacontrols.com

TECHNICAL SPECIFICATION

**Installation and Maintenance**

Please refer to the appropriate Product Manual.

**Connections**

T4 105:

Inlets: 1/2" BSP male parallel thread to BS2779, suitable for standard end feed tap connector.

T4 125:

Inlets: 3/4" BSP female union nuts at the end of the flexible tails with 3/8" x 1/2" male compression adaptor supplied.

**Approvals**

WRAS listed (Water Regulations Advisory Scheme).

KIWA UK Approved.

Designed, manufactured and supported in accordance with accredited BS EN ISO 9001:2008 Quality Management Systems and BS EN ISO 14001:2004 Environmental Management Systems.

**Operation**

The taps can be adjusted to give a flow duration of between 5 and 20 seconds when the button is pressed and released.

The volume of flow can also be adjusted.

**Materials**

Body: Chrome plated brass.

Push Button: Chrome plated brass

**Temperature Range**

Maximum water temperature: 80°C.

**Note!** for safety reasons it is recommended that hot maximum temperature used for hand washing be pre-set at 40°C using a Rada/ Meynell Thermostatic Mixing Valve. Please contact Specification Enquiries for advice.

**Pressures**

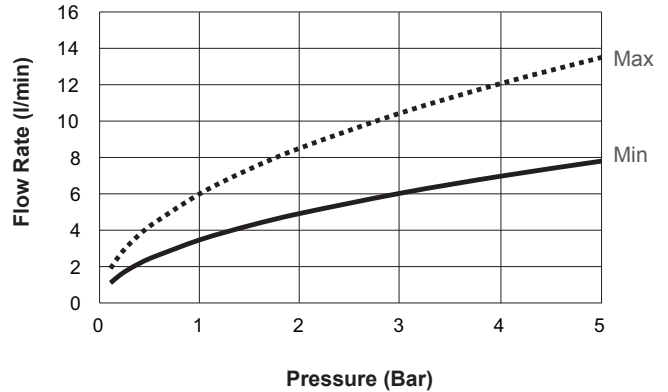
Minimum Operational Pressure T4 105, T4 125: **1.0 Bar**

Maximum Operational Pressure T4 105, T4 125: **5.0 Bar**

Maximum static pressure: **10 Bar**

**Flow Diagram**

**T4 105**



**T4 125**

