

## RADA TD7 / MD7 WASHBASIN SENSOR TAP

- No-touch electronically operated washbasin sensor tap
- Install with pre-mixed supply or with hot and cold supply with temperature adjustment (non-thermostatic)
- Water flows when user places hands under tap and stops when user removes their hands
- WRAS approved
- Power supply or battery operated
- Designed to save water - approx 3.8 l/min operation



### Specify as:

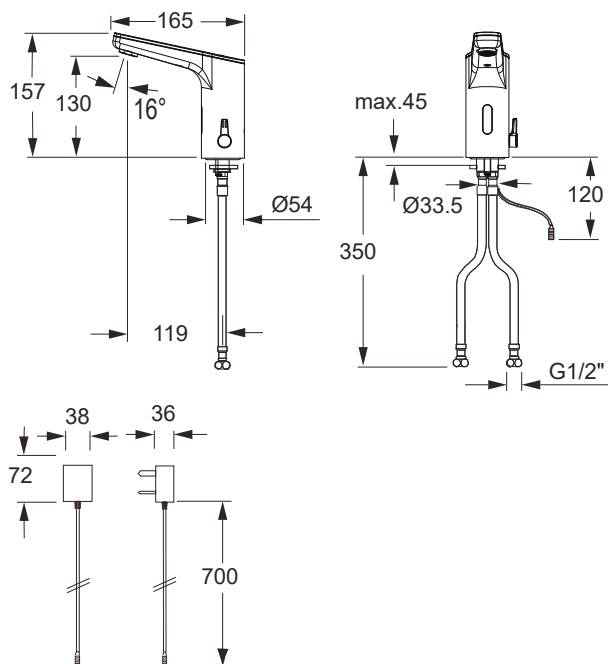
#### Rada TD7 10M (2.1942.008)

No-touch electronically operated washbasin sensor tap for pre-mixed water with power supply. Approximately 3.8 l/min.

#### Rada TD7 10B (2.1942.009)

No-touch electronically operated washbasin sensor tap for pre-mixed water with 6V lithium battery. Approximately 3.8 l/min.

### Dimensions (mm)



#### Rada MD7 10M (2.1942.010)

No-touch electronically operated washbasin sensor mixer tap for hot and cold water with power supply. Approximately 3.8 l/min.

#### Rada MD7 10B (2.1942.011)

No-touch electronically operated washbasin sensor mixer tap for hot and cold water with 6V lithium battery. Approximately 3.8 l/min.

## TECHNICAL SPECIFICATION

- Modular two piece construction
- Materials - Chrome plated zinc body
- Factory preset - No adjustments needed after installation
- Reliable solenoid valve operation with eco-flow aerator
- High pressure flexible inlet hose connections with in-built filter
- Temporary-off for cleaning can be operated via the IR-touch field

### Approvals

Designed, manufactured and supported in accordance with accredited BS EN ISO 9001:2000 Quality Management Systems and BS EN ISO 14001:1996 Environmental Management Systems.

Complies with all relevant directives for CE marking.

WRAS Approved

### Installation and Maintenance

Please refer to the appropriate product manual

### Electrical Specification

Mains operation: Plug-in transformer 100 - 240V AC ~ 50/60Hz

Battery: 6V Lithium CRP 2 - commercial; lifetime up to 4 years

### Technical Data

Operating pressure: 0.3 - 10 bar

Flow rate: Approx. 3.8 l/min. (3 bar)

Max. water temperature: 60° C

Aerator: Eco aerator

Flexible hose length: 35 cm

Flexible hose connection: G 1/2"

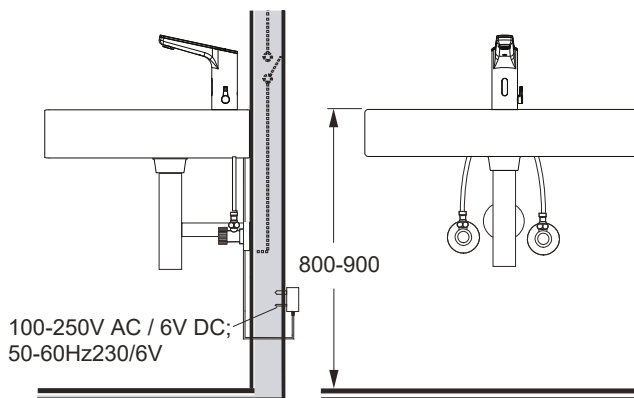
Filter: 0.5 mm mesh size

Sensor-sensitivity: Automatic self-adapting sensor technology

Run on time: 1 sec.

Temporary-off: 2 min. (fixed)

Engineering standards: DIN EN 200; noise class I; P-IX 9575 / IA; CE



Connect to the power supply. This **MUST** be installed as per National/local electrical regulations and guidelines.

**Kohler Mira Limited**  
Cromwell Road, Cheltenham  
Gloucestershire, GL52 5EP

**Specification Enquiries**  
Tel: 0344 571 1777 (Option 1)  
Email: rada\_technical@mirashowers.com  
www.radacontrols.com

1394284-W4-A

**Rada is a registered trademark of Kohler Mira Limited.**

The company reserves the right to alter product specification without notice.  
© July 2019 Kohler Mira Limited. All rights reserved.

No part of this document, or any accompanying document, may be reproduced or transmitted in any form or by any means, including photocopying or electronically, without the permission of Kohler Mira Limited.

A **KOHLER** COMPANY



FM 14648

**rada**