

Concealed Cistern Dual Flush 3/6L

E4324

Product Description: Concealed cistern dual flush 3/6L

Required Item: 8848K-CP Flush plate

Product Dimensions: W440 x H405 x D148 mm

Material: Polypropylene (PP)

Product Weight (kg): 3

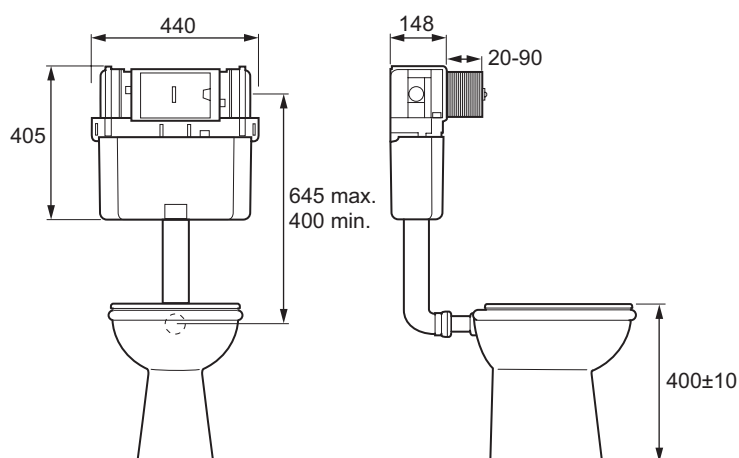
Guarantee (Years): 10

Fixings Included: Yes

Additional Information: For under-window or inside low-wall installation.
The flush plate can be mounted on the front or on the top of the cistern.



Dimensions (mm)



Further information on following page

Kohler UK

Sales and Technical:

+44 (0) 844 571 0048 (Calls cost 7p per minute plus your phone company's access charge)

info@kohler.co.uk

www.KOHLER.co.uk

THE BOLD LOOK
OF **KOHLER**®

Concealed Cistern Dual Flush 3/6L

E4324

CISTERN:

- Dual flush mechanical actuated
- Flush plate can be mounted front or top (cistern is supplied settled for front installation)
- Anti-condensation EPS – Polysterene cove plate
- Easy installation
- Easy access for maintenance
- Silent AZOR float valve certificated according to the WRAS standard
- CE EN 14055 marking CL2
- Net pressure from 0.2 up to 20 bar
- Flush volumes: 3 litres (half flush) and 6 litres (full flush)
- Resistance to atmospheric humidity (Hr <90%)

ACCESSORIES:

- 1 PP discharge pipe 68/45 with 315mm length
- 1 Protection sponge for stop valve
- 1 Stop-valve with mounting bracket
- 1 PP protection box
- 2 Fixing metal brackets with screws for wall mounting
- Installation instructions

Kohler UK

Sales and Technical: +44 (0) 844 571 0048

info@kohler.co.uk

www.KOHLER.co.uk

THE BOLD LOOK
OF **KOHLER**®