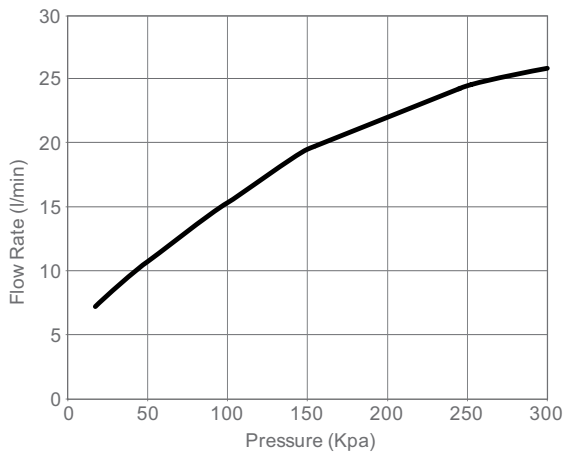


RADA SH1 UK
FIXED SHOWER HEAD

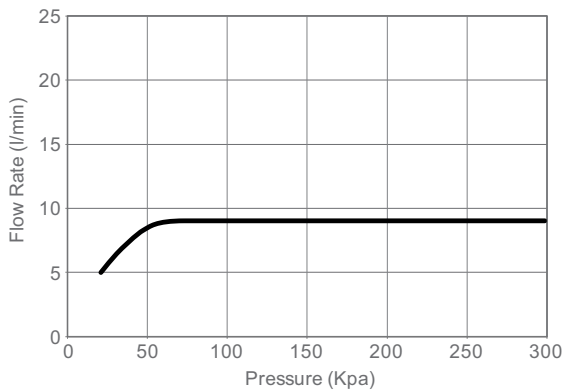
- Single mode removable spray plate
- Silicone nozzle mat – removable for cleaning
- Adjustable head angle
- 8 L/min flow regulator supplied



Flow Diagram



Fixed Head only with no Flow regulator



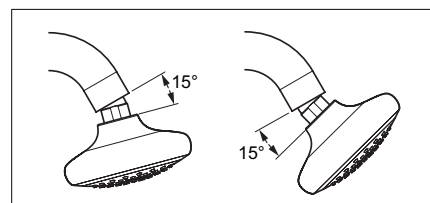
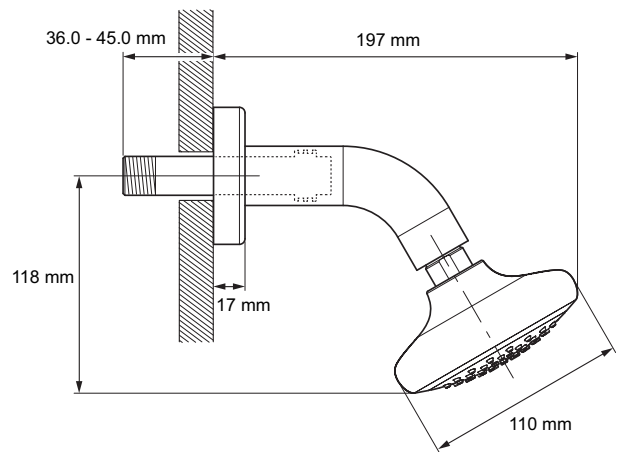
Fixed Head only with 8L/min Flow regulator fitted

Specify as:

Rada SH1 UK (72966-CP)

Fixed shower with swivel head, removable single mode spray plate and 1/2" BSP nipple for connection to concealed pipework.

Dimensions (mm)



TECHNICAL SPECIFICATION

Approvals

KIWA UK

KIWA NV - EN 1112 and EN 1113

Temperature

Maximum Hot Water – 60°C

Pressure Range

Minimum dynamic pressure: 0.2 bar

Maximum dynamic pressure: 3.0 bar

Connections

Wall connection: 1/2" BSP

Optional Flow Regulators (not supplied)

6 lit/min Flow Regulator - Part No. 1264159-NA

Kohler Mira Limited
Cromwell Road, Cheltenham
Gloucestershire, GL52 5EP

Specification Enquiries
Tel: 0844 571 1777, Fax: 0844 472 3076
Email: rada_technical@mirashowers.com
www.radacontrols.com

Rada is a registered trademark of Kohler Mira Limited.

The company reserves the right to alter product specification without notice.
© May 2016 Kohler Mira Limited. All rights reserved.

No part of this document, or any accompanying document, may be reproduced or transmitted in any form or by any means, including photocopying or electronically, without the permission of Kohler Mira Limited.

A **KOHLER** COMPANY

