

GENERAL PURPOSE SHOWER FITTINGS



- A range of shower fittings, precision engineered to provide an effective shower at all pressures
- Available with either fixed or swivel heads



Rada SH13



Rada SH15 - White

Specify as: Rada SH13 (1.0.099.60.2)

A white swivel spray head in engineering plastic with 15 mm compression connection.

Specify as: Rada SH13 (CP) (1.0.098.08.2)

A chrome plated swivel spray head in engineering plastic with 15mm compression connection

Specify as: Rada SH15 (1.0.099.61.2)

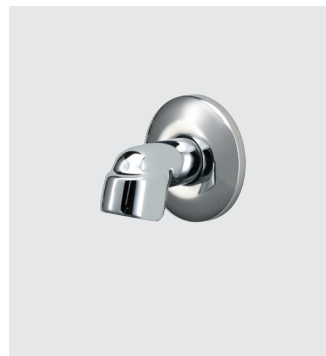
A white swivel spray head in engineering plastic with ½" BSP male/female connection.

Specify as: Rada SH15 (CP) (1.0.098.06.3)

A chrome plated swivel spray head with ½" BSP male/female connection.

Specify as: Rada SH16 (1.0.099.62.2)

A white non-swivel spray head in engineering plastic with ½" BSP male/female connections.



Rada AD21



Rada SH16



Rada er-s 310

Specify as: Rada AD21 (1.0.099.58.1)

A short shower arm (with the outlet at 15° to the vertical) with pipe concealing plate, ½" BSP female connection to shower head and ½" BSP male connection to concealed pipework.

Specify as: Rada er-s 310 (1.0.108.45.1)

Shower fitting assembly with stainless steel shower arm and riser pipe with ½" BSP male connection incorporating 310 hard water push clean spray fitting.

TECHNICAL SPECIFICATION

Installation and Maintenance

Please refer to the appropriate Product Manual.

Connections

Spray heads are provided with 1/2" BSP male/female thread or 15 mm compression connection.

Approvals

Designed, manufactured and supported in accordance with accredited BS EN ISO 9001:2008 Quality Management Systems and BS EN ISO 14001:2004 Environmental Management Systems.

Materials

All materials are corrosion resistant. Spray heads are manufactured from engineering plastics and all metalwork is copper alloy, chrome plated as required.

Spray Performance

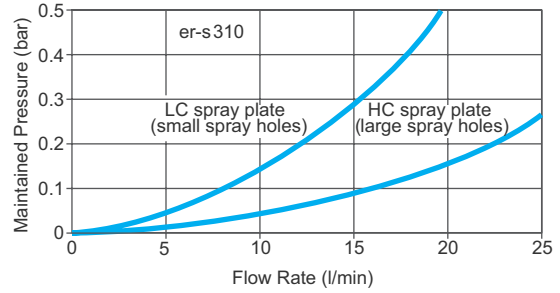
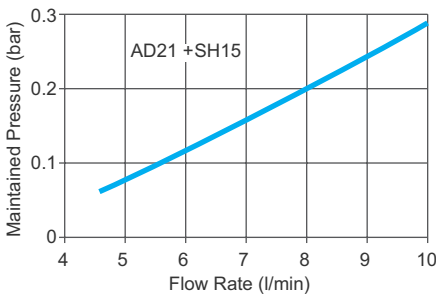
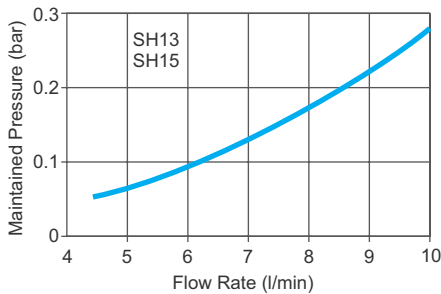
SH13/SH15: A fully formed shower pattern is provided when the spray head is passing a minimum of 4.5 l/min.

er-s 310: A fully formed shower pattern is provided when the spray head is passing a minimum of

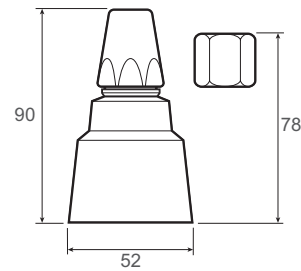
Low capacity: 3.5 l/min.

High capacity: 6.5 l/min.

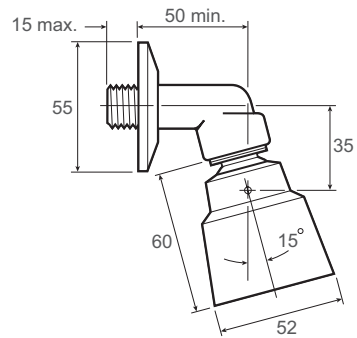
Flow Diagram



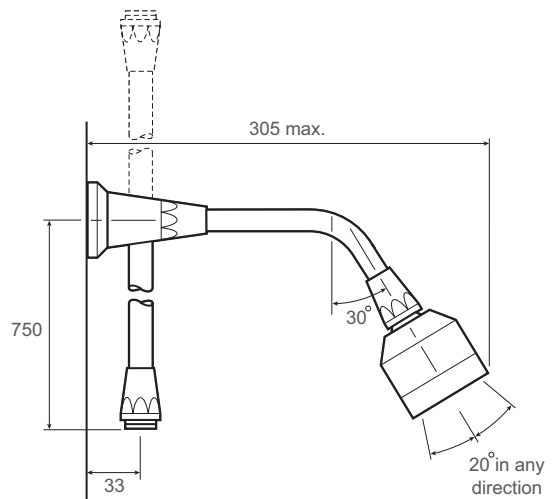
Dimensions (mm)



Rada SH13/15



Rada AD21 & SH15



Rada er-s 310

Kohler Mira Limited
Cromwell Road, Cheltenham
Gloucestershire, GL52 5EP

Specification Enquiries
Tel: 0844 571 1777, Fax: 0844 472 3076
Email: rada_technical@mirashowers.com
www.radacontrols.com

Rada is a registered trademark of Kohler Mira Limited.
The company reserves the right to alter product specification without notice.
© January 2012 Kohler Mira Limited. All rights reserved.
No part of this document, or any accompanying document, may be reproduced or transmitted in any form or by any means, including photocopying or electronically, without the permission of Kohler Mira Limited.

A **KOHLER** COMPANY



FM 14648

