

RADA AUTOTHERM-3 EV/AUTOTHERM-3 EV CAT 5 BATH/SHOWER FITTINGS



- WRAS Approved
- A range of stylish bath/shower kits, available in easy to clean chrome finish
- Option available featuring patented Category 5 compliant security hose retaining clip
- Supplied with 3 spray pattern handset
- Easy to use 'turn and lock' slider mechanism
- 1.5m hose, suitable for connection to bath/shower mixer controls

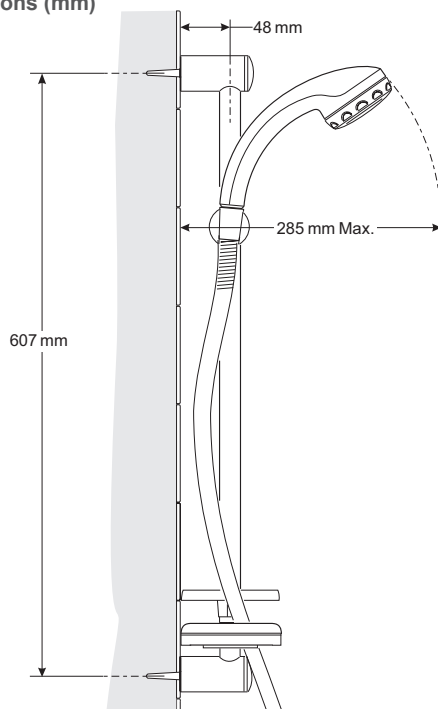
Specify as: Rada Autotherm-3 EV Bath/Shower Fittings - Chrome (1.1533.117)

Contemporary design bath/shower kit, supplied with 1.5m hose, 3 mode handset, slide bar, hose retaining ring soap dish. Easy to clean 'turn and lock' slider mechanism.

Specify as: Rada Autotherm-3 EV CAT 5 Bath/Shower Fittings - Chrome (1.1533.118)

Contemporary design bath/shower kit, featuring patented Category 5 compliant security hose retaining ring. Supplied with 1.5m hose, 3 mode handset, slide bar and soap dish. Easy to clean 'turn and lock' slider mechanism.

Dimensions (mm)



Autotherm-3 EV Bath/Shower Fittings



Autotherm-3 EV CAT5 Bath/Shower Fittings

(Inset: Patented Category 5 compliant hose retaining ring)

Kohler Mira Limited
Cromwell Road
Cheltenham
Gloucestershire
GL52 5EP

Specification Enquiries

Tel: 0844 571 1777
Fax: 0844 472 3076
Email: rada_technical@mirashowers.com
www.radacontrols.com

rada

SHOWER FITTINGS

TECHNICAL SPECIFICATION

Installation and Maintenance

Please refer to the appropriate Product Manual.

Connections

The shower hose terminates with a 1/2" BSP female thread.

Approvals

WRAS Approval (Water Regulations Advisory Scheme)
Designed, manufactured and supported in accordance with accredited
BS EN ISO 9001:2008 Quality Management Systems and
BS EN ISO 14001:2004 Environmental Management Systems.

Materials

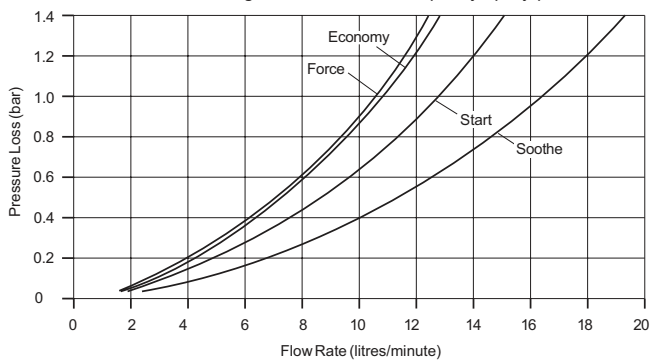
Handset: Engineering plastics and polymers.
Slide bar: Polished steel.
Shower hose: Plastic with brass conical ends.

Temperature Range

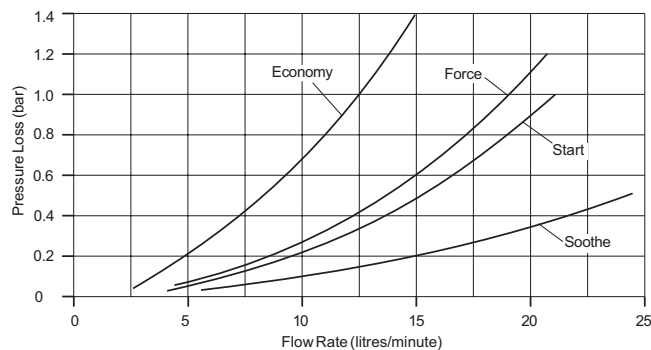
Water temperatures in excess of 85°C may cause damage to the product.

Flow Diagram

Rada Autotherm-3 EV range flow rates - Low capacity spray plate assembly



Rada Autotherm-3 EV range flow rates - High capacity spray plate assembly



Kohler Mira Limited
Cromwell Road, Cheltenham
Gloucestershire, GL52 5EP

Specification Enquiries
Tel: 0844 571 1777, Fax: 0844 472 3076
Email: rada_technical@mirashowers.com
www.radacontrols.com

Rada is a registered trademark of Kohler Mira Limited.
The company reserves the right to alter product specification without notice.
© January 2012 Kohler Mira Limited. All rights reserved.
No part of this document, or any accompanying document, may be reproduced or transmitted in any form or by any means, including photocopying or electronically, without the permission of Kohler Mira Limited.

A **KOHLER** COMPANY



FM 14648

