

RADA ACU-T3



- Buildcert TMV3 Scheme Approved
- WRAS Approved
- Exceeds HTM64 requirements
- Sets new standards in infection control
- Non-touch ON/OFF spout activation or timed flow control and temperature adjustment
- Programmable flow times and temperatures, 3 optional pre-programmed modes
- Programmable 'duty flushing'
- Thermal disinfection with datalogging
- Temperature logging / D08 commissioning regime
- Valve information and usage data
- High pressure only
- Incorporating T-logic™ digital intelligence



T-logic™ Digital Intelligence

Allows the user to operate, communicate and exchange information with the digital mixing valve to deliver the ultimate in safety, hygiene and control.



Specify as:

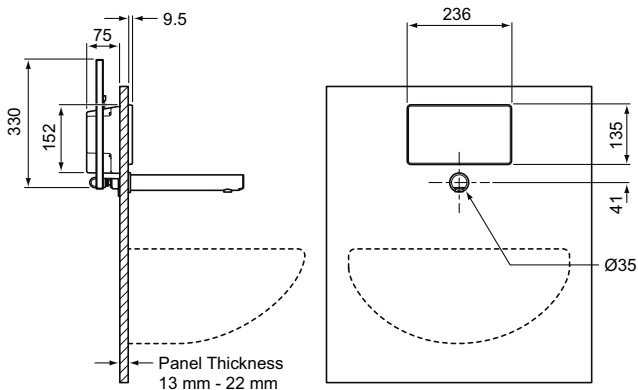
Rada T3 DMV with 190 mm Spout (1.1664.001) or

Rada Acu-T3 DMV with 225 mm Spout (1.1664.002)

Concealed digital mixing valve for washbasins, offering programmable maximum, minimum and default temperatures, duty flush and thermal disinfection with temperature logging and data logging capabilities. Supplied complete with programmable software, power supply, isolators, non return valves and filters. Panel mounted control panel offering access to valve, featuring infra-red non-touch controls for temperature adjustment and programming. Panel mounted spout offering user activated on/off control or timed flow.

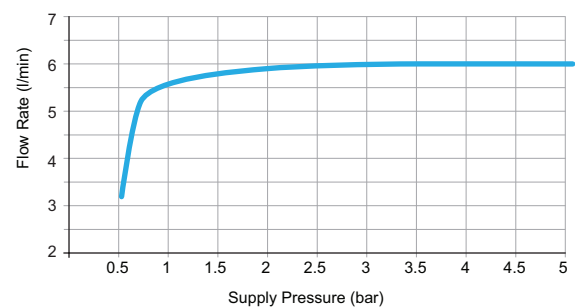
Dimensions (mm)

Caution! Dimensions shown are the finished product dimensions and should not be used as a guide for cutting panels.



Panel and basin not supplied

Flow Diagram



Kohler Mira Limited
Cromwell Road
Cheltenham
Gloucestershire
GL52 5EP

Specification Enquiries

Tel: 0844 571 1777
Fax: 0844 472 3076
Email: rada_technical@mirashowers.com
www.radacontrols.com



TECHNICAL SPECIFICATION

Installation and Maintenance

Please refer to the appropriate product manual.

Connections

15 mm Compression / Flat faced Union

Approvals

Buildcert TMV3 Thermostatic Mixing Valve Scheme approved:-
HP-WE High Pressure Washbasin - Economy Flow Rate, max temp 41°C
WRAS approved (Water Regulations Advisory Scheme)
BEAB approved
Designed, manufactured and supported in accordance with accredited
BS EN ISO 9001:2008 Quality Management Systems and
BS EN ISO 14001:2004 Environmental Management Systems

Operation

Flow control: Non-touch ON/OFF activated via the spout.
Temperature control: Full non-touch temperature control.

Factory pre-set: Patient mode, activation of the water supply via the
spout sensor, flow preset at 38°C with temperature adjustment up to
41°C and full cold.

Pre-programmed modes:

Clinical: Activation of the water supply via the spout sensor, flow
preset at 41°C with no temperature adjustment.

Patient: Activation of the water supply via the spout sensor, flow
preset at 38°C with temperature adjustment up to 41°C and full cold.

Surgical: Activation of the water supply via the spout sensor, 3 minute
timed flow with temperature adjustment in 2 degree increments
between 35°C and 43°C.

Free Mode (user defined mode): Activation of the water supply via the
spout sensor, flow duration adjustment up to 5 minutes, temperature
adjustment: Full Cold or 30°C to 48°C

Materials

Control panel cover: PC with in mould decoration.

Mixing unit enclosure: ABS.

Integral components: DZR brass, stainless steel, engineering plastic.

System Temperature Range

Programmable range: Min. Full Cold, 30°C - 38°C or no user
adjustment, Max. 43°C - 48°C or no user adjustment, and Blend.
33°C - 41°C.

Minimum blend temperature differential from hot supply: 2°C.

Optimum thermostatic control range: 30°C - 48°C.

Cold water range (recommended): up to 20°C.

Hot water range (recommended): 50°C - 65°C (85°C during disinfection).

Temperature stability: $\pm 1^\circ\text{C}$ for recommended supply conditions.

System Pressures

Maximum static pressure: 10 bar (1000 kPa).

Minimum static pressure: 1 bar (100 kPa).

Hot and cold pressure should be nominally equal.

(Max differential 3:1 either way).

Maximum flow rate: 6 l/min flow regulator fitted.

Environment

Ambient temperature: 1°C - 40°C.

Maximum relative humidity: 95% non-condensing at 25°C.

Note! Certain types of compact fluorescent and low voltage lighting
use high frequency lamps that can interfere with the infrared system
used in the control panel. Install in areas where standard switch-start
fluorescent lighting is used.

IP Rating

IP24

Electrical Specification

Supply Voltage: 100 - 230 V RMS 50 - 60 HZ.

Maximum load: 20 W (PSU).

Mains cable length: 3 m.

Times (Duty flush not enabled at factory, programming required)

Factory settings (Patient Mode)

Flow time to Auto Shut-off: 2 seconds

Duty flush cycle: 2 minutes.

Duty flush waiting period: 18 hours.

Programmable range (Free Mode)

Flow time: 10 seconds - 5 minutes (or, if zero is selected no
time flow applies and spout activation determines flow duration)

Duty flush cycle: 1 - 59 minutes.

Disinfection

Factory settings

Minimum temperature: 60°C.

Minimum time: 5 minutes.

Disinfection activated from the interface.

Temperature Logging

Automatic cycle that measures hot, cold and blend temperatures and
displays them on screen.

Kohler Mira Limited
Cromwell Road, Cheltenham
Gloucestershire, GL52 5EP

Specification Enquiries

Tel: 0844 571 1777, Fax: 0844 472 3076
Email: rada_technical@mirashowers.com
www.radacontrols.com

Rada is a registered trademark of Kohler Mira Limited.

The company reserves the right to alter product specification without notice.

© January 2012 Kohler Mira Limited. All rights reserved.

No part of this document, or any accompanying document, may be
reproduced or transmitted in any form or by any means, including
photocopying or electronically, without the permission of Kohler Mira Limited.

A **KOHLER** COMPANY



FM 14648

