

RADA TRIPOINT-F™



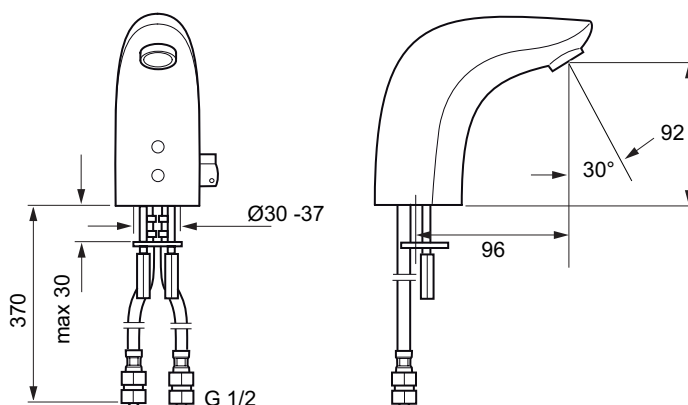
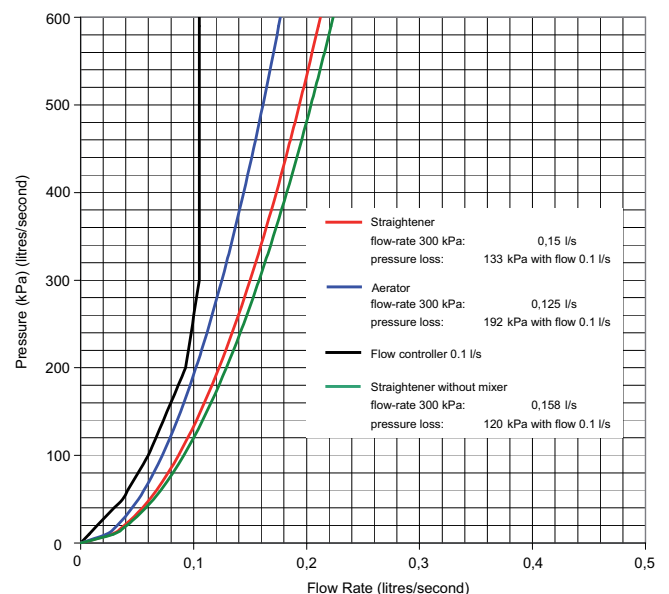
- WRAS Approved
- KIWA Approved
- The only 'Tripoint' infrared tap on the UK market: accurate, dependable infrared system
- 3-in-1 product: can be installed with pre-mixed supply, or with hot and cold supply - with or without temperature adjustment (non-thermostatic)
- Factory preset: no adjustments needed after installation
- Battery operated: no need for an electrician
- Designed to reduce water consumption
- In-line filters and self cleaning diaphragm
- Commercial aerator/straightener - vandal resistant for longlasting use

**Tripoint™**

Rada proudly introduces innovative, electronic, commercial products with our new Tripoint™ technology. Similar to that of an autofocus camera Tripoint™ technology accurately senses the true distance of an object in relation to the infrared eye, regardless of reflections or colour and light variations.

Specify as: Rada Tripoint-F™ 3 in 1 Electronic Mixer Tap (2.1658.011)

No-touch basin tap with a temperature adjustment control (as a factory default). The tap can be easily modified for preset temperature or pre-mixed water. Battery operated 6V. Flow controller (6 l/min) enables low water consumption (0.51 l/instance of use).

Dimensions (mm)**Flow Graph**

Kohler Mira Limited
Cromwell Road
Cheltenham
Gloucestershire
GL52 5EP

Specification Enquiries

Tel: 0844 571 1777
Fax: 0844 472 3076
Email: rada_technical@mirashowers.com
www.radacontrols.com

TECHNICAL SPECIFICATION

Installation and Maintenance

Please refer to the appropriate Product Manual.

Approvals

WRAS Approved (Water Regulations Advisory Scheme)
 KIWA Approved
 Designed, manufactured and supported in accordance with accredited
 BS EN ISO 9001:2008 Quality Management Systems and
 BS EN ISO 14001:2004 Environmental Management Systems.

Operation

Rada Tripoint-F™ actuates when an approaching user is approximately 140 mm from the tap. Reflections, dark clothing or lighting will not interfere with dependable operation. The water will flow until the user removes their hands. An intelligent after flow prevents the tap from stopping whilst user is moving in the flow.

Materials

Body: Brass, chrome finish.
 Flexible Tails: Stainless steel with blue polyamide reinforced polyethylene hose.

Temperature Range

Cold water range: 1°C - 20°C.
 Hot water range: 50°C - 70°C.

Pressure Range

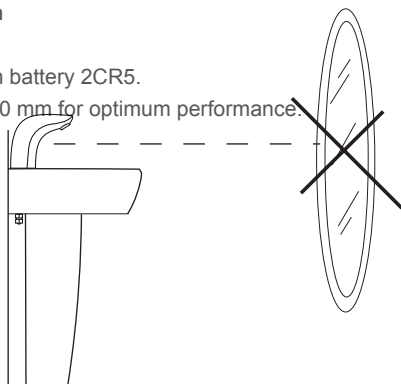
Maximum static pressure: 1000 kPa (10 bar).
 Minimum pressure loss (with flow regulator): 200 kPa (2.0 bar).

Flow Rates and Times

Flow rate at 3 bar (with flow controller): 0.1 litres/second.
 Minimum flow rate: 6 litres/min.
 Maximum flow period: 2 minutes.
 Intelligent afterflow period: 3 Seconds ± 2 Seconds.

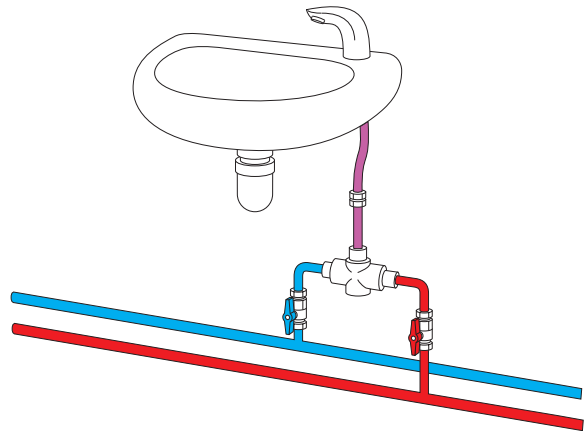
Electrical Specification

Protection Class: IP67.
 Power supply: 6V lithium battery 2CR5.
 Sensor range: 130 to 170 mm for optimum performance.

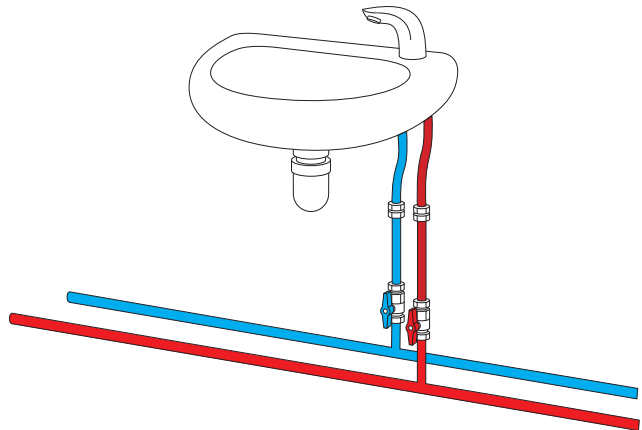


Do not install opposite a mirror

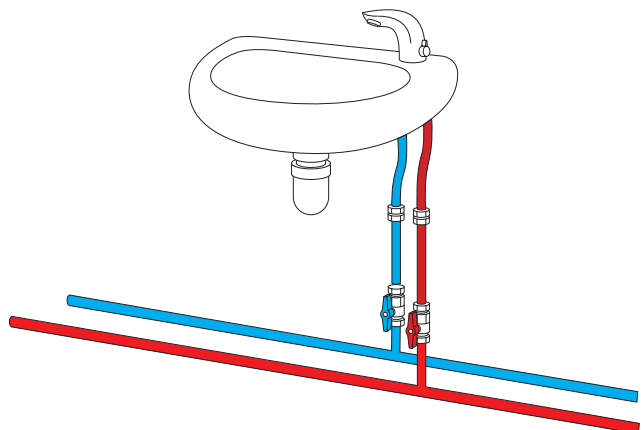
Product Installation Options



Single Supply - Pre-mixed: No-touch basin tap with single pre-mixed water supply using separate thermostatic mixing valve



Hot and Cold Supply - Preset Temperature: No-touch basin mixer tap with preset temperature (non-thermostatic)



Hot and Cold Supply - Adjustable Temperature: No-touch basin mixer tap with temperature adjustment control (non-thermostatic)

Kohler Mira Limited
 Cromwell Road, Cheltenham
 Gloucestershire, GL52 5EP

Specification Enquiries
 Tel: 0844 571 1777, Fax: 0844 472 3076
 Email: rada_technical@mirashowers.com
 www.radacontrols.com

Rada is a registered trademark of Kohler Mira Limited.
 The company reserves the right to alter product specification without notice.
 © January 2012 Kohler Mira Limited. All rights reserved.
 No part of this document, or any accompanying document, may be reproduced or transmitted in any form or by any means, including photocopying or electronically, without the permission of Kohler Mira Limited.

A **KOHLER** COMPANY



FM 14648

