

## RADA EV SHOWER FITTINGS



- A range of contemporary shower rail kits, available in easy to clean chrome finish
- Easy to use - 5 function handset
- Suitable for high or low pressure plumbing systems
- Heavy duty slide bar doubles as a grab rail
- RAC accessory available for built-in shower controls

**Specify as: Rada EV Shower Fittings - Chrome (2.1642.001)**

Slide rail shower kit, supplied complete with 1.25 m flexible hose, clamp bracket assembly, slide bar, end supports, soap dish, hose retaining ring and adjustable spray handset. Available in chrome finish. Suitable for connection to surface mounted shower controls.

**Specify as: Rada Heavy Duty EV Shower Fittings - Chrome (2.1642.002)**

Robust grab rail shower kit, supplied complete with 1.25 m flexible hose, clamp bracket assembly, hose retaining ring and adjustable spray handset. Available in chrome finish. Suitable for connection to surface mounted shower controls.

**Specify as: Rada RAC Accessory (1.1642.014)**

Right angled connector elbow. Converts Rada EV Shower Fittings into BIV (built-in).



EV Shower Fittings



Heavy Duty EV Shower Fittings

TECHNICAL SPECIFICATION

**Installation and Maintenance**

Please refer to the appropriate Product Manual.

**Connections**

The shower hose terminates with a 1/2" BSP female thread.  
The right angle connector terminates with a 1/2" BSP parallel nipple.

**Approvals**

WRAS approved (Water Regulations Advisory Scheme).  
Designed, manufactured and supported in accordance with accredited BS EN ISO 9001:2008 Quality Management Systems and BS EN ISO 14001:2004 Environmental Management Systems.

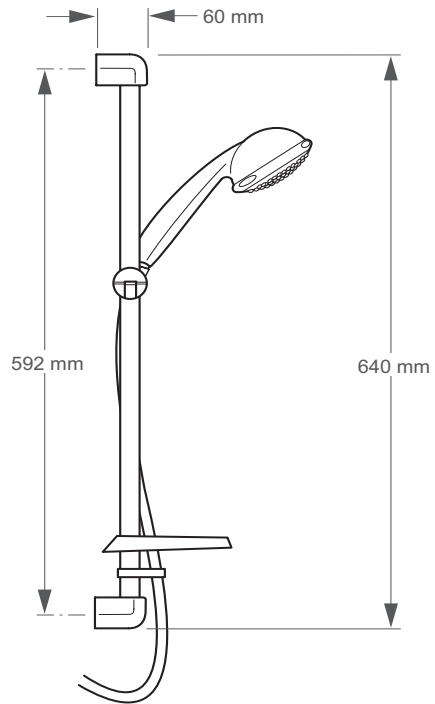
**Materials**

Handset: Engineering plastics and polymers.  
Slide bar (Light Duty): Polished steel.  
Slide Bar (Heavy Duty): Chrome plated brass.  
Shower hose: Plastic with brass conical ends.

**Temperature Range**

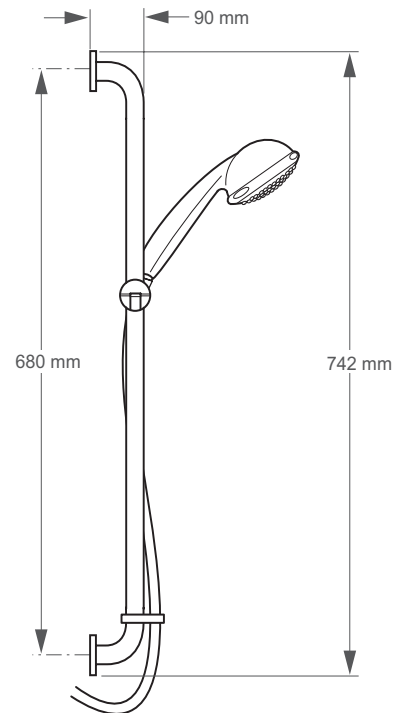
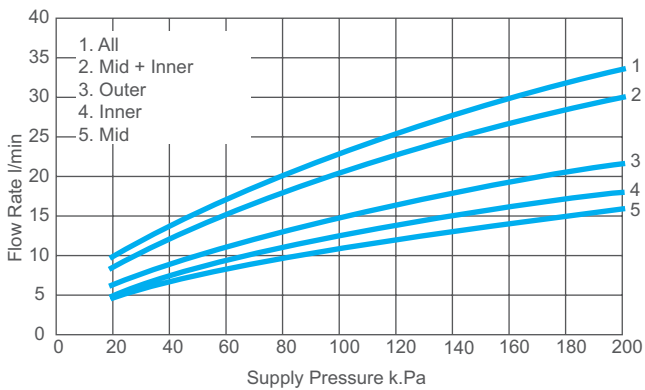
Water temperatures in excess of 85°C may cause damage to the product.

**Dimensions (mm)**



Rada EV Shower Fittings

**Flow Diagram**



Rada Heavy Duty EV Shower Fittings

**Kohler Mira Limited**  
Cromwell Road, Cheltenham  
Gloucestershire, GL52 5EP

**Specification Enquiries**  
Tel: 0844 571 1777, Fax: 0844 472 3076  
Email: rada\_technical@mirashowers.com  
www.radacontrols.com

Rada is a registered trademark of Kohler Mira Limited.  
The company reserves the right to alter product specification without notice.  
© January 2012 Kohler Mira Limited. All rights reserved.  
No part of this document, or any accompanying document, may be reproduced or transmitted in any form or by any means, including photocopying or electronically, without the permission of Kohler Mira Limited.

A **KOHLER** COMPANY

