

RADA PULSE KEY SWITCHES

**Rada Pulse Isolating Key Switch**

- Designed to be wired to the Rada Pulse Control Box
- Enables the temporary disabling of a Rada Pulse Washroom Control System during cleaning and maintenance periods
- For additional security, the key may only be removed when it's in the 'OFF' position

Rada Pulse Operating Key Switch

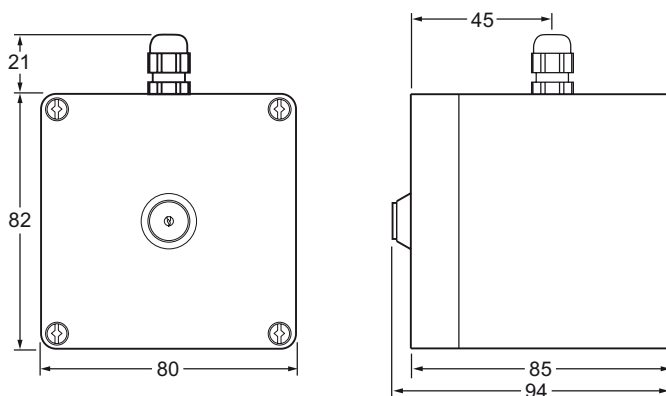
- Designed to be wired to the Rada Pulse Control Box
- Enables ON/OFF operation of the outlets, for such as group showers, for requisite period by authorised key holder
- For additional security, the key may only be removed when it's in the 'OFF' position

**Specify as: Rada Pulse Isolating Key Switch (2.1495.080)**

For temporary disablement of Rada Pulse Control Box during cleaning or maintenance.

Specify as: Rada Pulse Operating Key Switch (2.1495.081)

For the manual operation of multiple outlets by authorised key holders.

Dimensions (mm)

TECHNICAL SPECIFICATION

Descriptions

Rada Pulse Isolating Key Switch

This is a key operated isolation switch designed to be wired directly to the 'disable switch' terminal of the Rada Pulse Control Box. When the key is turned to the horizontal position, the system is disabled and allows for cleaning or maintenance to be preformed.

Rada Pulse Operating Key Switch

This is a key operated on/off switch designed to be wired directly to the sensor terminal of a Rada Pulse Control Box. When the key is turned to the horizontal position, all of the outlets (e.g. for group showering) will operate until the key is turned to the vertical position.

Approvals

Designed, manufactured and supported in accordance with accredited BS EN ISO 9001:2008 Quality Management Systems and BS EN ISO 14001:2004 Environmental Management Systems. Complies with all relevant directives for CE marking.

Electrical Specification

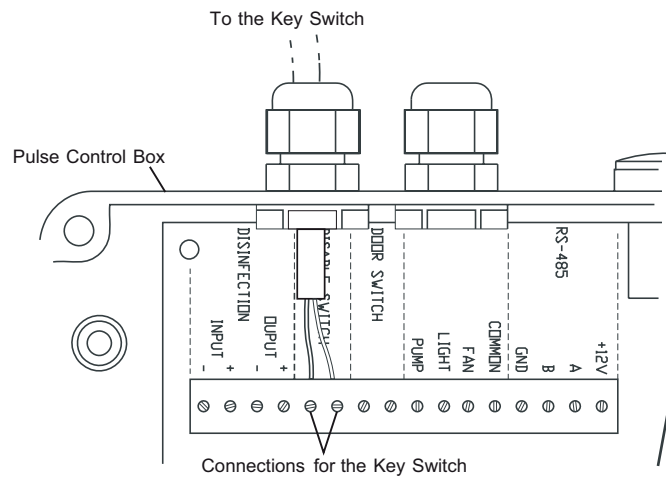
Voltage: 12 V AC, 50/60 Hz

Rating: 10 mA

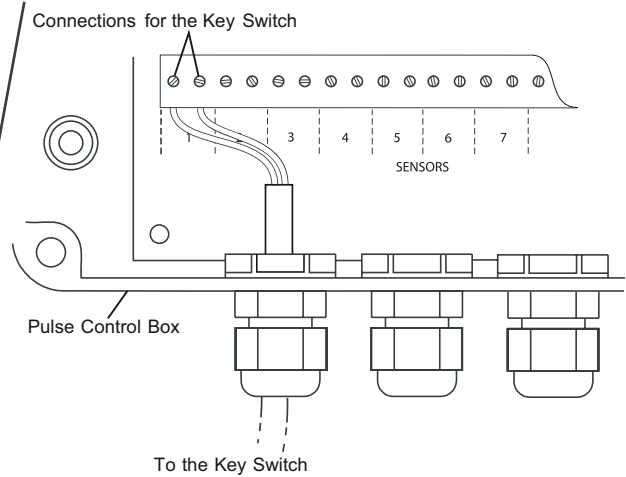
Box Material: ABS sealed to IP54

Wiring Diagrams

Rada Pulse Isolating Key Switch



Rada Pulse Operating Key Switch



Kohler Mira Limited
Cromwell Road, Cheltenham
Gloucestershire, GL52 5EP

Specification Enquiries
Tel: 0844 571 1777, Fax: 0844 472 3076
Email: rada_technical@mirashowers.com
www.radacontrols.com

Rada is a registered trademark of Kohler Mira Limited.
The company reserves the right to alter product specification without notice.
© January 2012 Kohler Mira Limited. All rights reserved.
No part of this document, or any accompanying document, may be reproduced or transmitted in any form or by any means, including photocopying or electronically, without the permission of Kohler Mira Limited.

A **KOHLER** COMPANY



FM 14648

