

LEISURE

RADA SENSE DUAL SHOWER



ADVANCED TECHNOLOGY / INNOVATIVE DESIGN



Introducing the Sense Dual Shower T3 – the latest generation in luxury showering technology from Rada – the world experts in commercial showering, washroom controls, fittings and systems.

The Sense Dual Shower T3 is a non-touch integrated shower control and valve that has been specifically designed to meet the varied needs of health clubs, gymnasiums, swimming pools and a wide range of other leisure sector facilities. It builds on the wealth of experience which Rada has amassed in this area and delivers the type of proven and reliable performance you would expect from a true market leader.

It combines the flexibility of a fixed and a variable showerhead pairing with Rada's unique T-logic™ digital intelligent thermostatic mixing valve technology and allows the creation of shower rooms that are ideal for single-sex, family or children and parent use. The result is a flexible, integrated solution which can be tailored to provide individual groups of users with the ultimate in safe, hygienic and thermostatically controlled showering.

SENSE BENEFITS

- The world's first digital thermostatic mixing valve for commercial use
- Flexible – use fixed or variable showerhead
- Specifically designed for commercial applications
- Can be programmed to suit a wide range of different requirements
- Ideal for use in less-abled showering

OUTSTANDING FEATURES

- Easy to operate non-touch infra-red controls
- Duty flush and thermal disinfection options reduce the risks from water borne bacteria
- Incorporates data logging facilities
- Proven performance
- Concealed and remotely located digital thermostatic mixing unit – no surface temperature risks
- Flow time and temperature parameters can be pre-set
- Automatically compensates for supply conditions

APPROVED PERFORMANCE

- Supplied factory-set to comply with TMV3 safe temperature settings
- BuildCert TMV3 approval guarantees the benchmark standard for delivering safe hot water

REDUCED LIFETIME COSTS

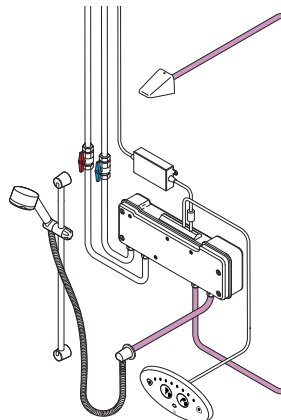
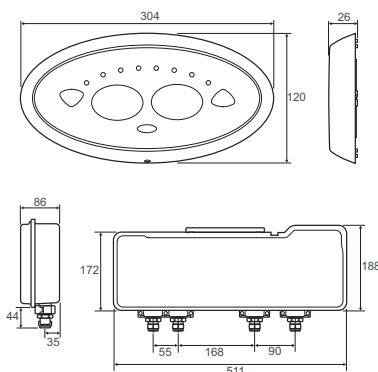
- Easy 'plug-in' installation
- Timed flow control saves water
- Quick access for maintenance
- 5-Year warranty



Allows the user to operate, communicate and exchange information with the digital mixing valve to deliver the ultimate in safety, hygiene and control.

RADA SENSE DUAL SHOWER

DIMENSIONS AND INSTALLATION (mm)



PRODUCT INFORMATION

PRODUCT CODE

RADA SENSE DUAL SHOWER T3
1.1653.030

USAGE

Part M Building Regulations:
Access to and use of buildings
Diagram 23 Self contained
shower room for individual use



WEB LINK

www.radacontrols.com/radasensedual



Insert illustration relates to Diagram 23 in Part M of the Building Regulations (grab rails and seat shown for illustration purposes only).

OTHER PRODUCTS IN THE RANGE

RADA SENSE SHOWER T3

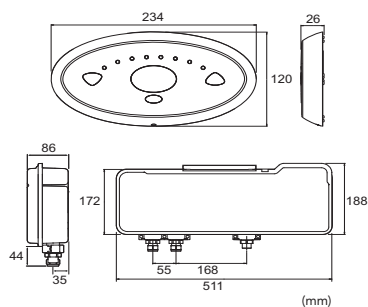


PRODUCT CODE

RADA SENSE SHOWER
1.1503.682

WEB LINK

www.radacontrols.com/radasenses



RADA SENSE HAND WASHING T3

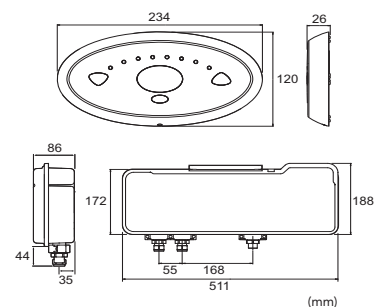


PRODUCT CODE

RADA SENSE HANDWASHING
1.1503.678

WEB LINK

www.radacontrols.com/radasensewb



www.radadigital.co.uk



Mira, Rada, Kohler and Meynell are registered trade marks of Kohler Mira Limited. The company reserves the right to alter product specification without notice. © December 2009 Kohler Mira Ltd. All rights reserved. No parts of this document, or any accompanying document, may be reproduced or transmitted in any form or by any means, including photocopying or electronically, without the permission of Kohler Mira Limited.

P6222

THE BOLD LOOK
 OF **KOHLER**

mira
 SHOWERS

rada

DARYL
 A KOHLER COMPANY

rada

Kohler Mira Limited
 Cromwell Road
 Cheltenham
 Gloucestershire
 GL52 5EP

T 0844 571 1777

F 0844 472 3076

E rada_technical@mirashowers.com
www.radadigital.co.uk